

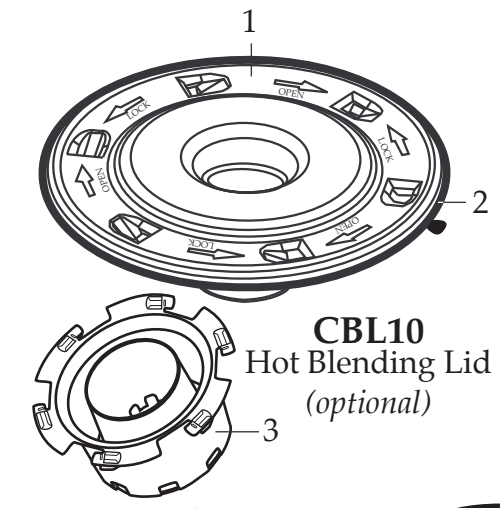


# CB10BT

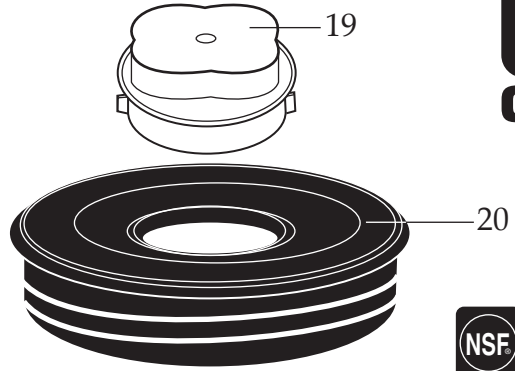
CB15T  
w/ Mechanical Switch  
and Timer



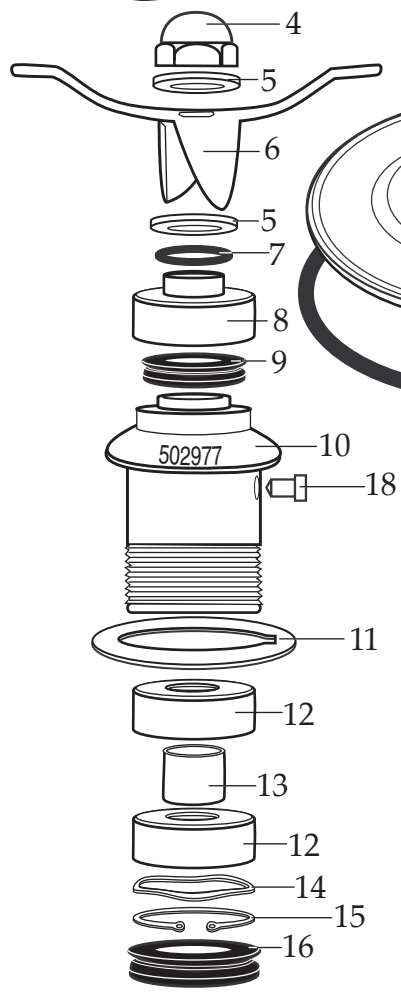
013304  
NSF Seal



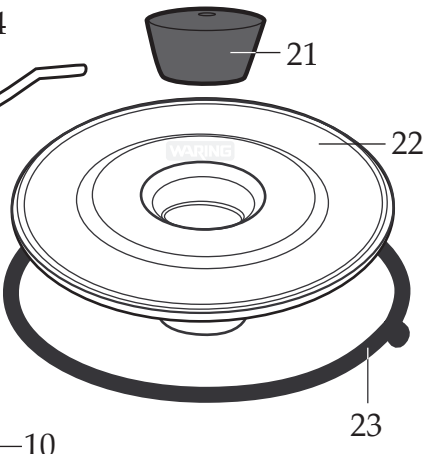
**CBL10**  
Hot Blending Lid  
(optional)



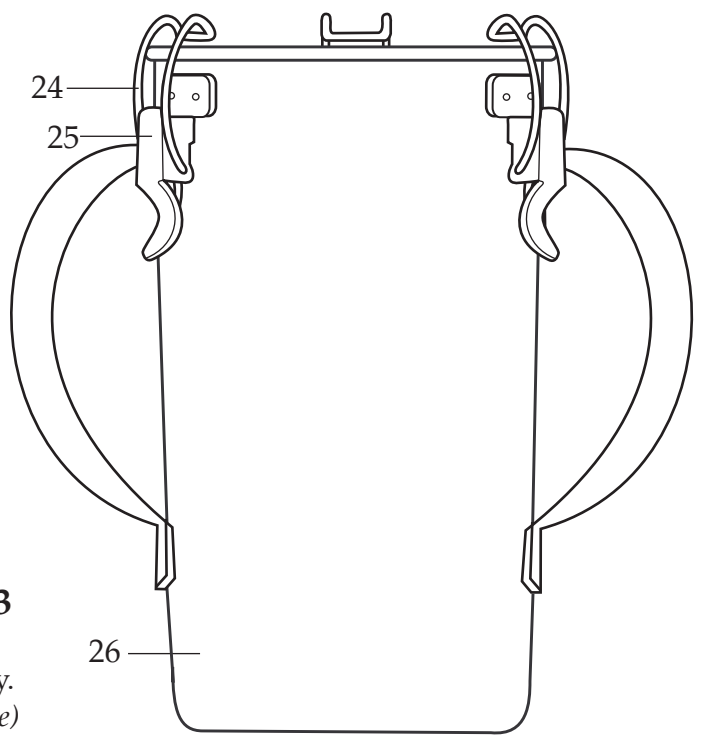
current production



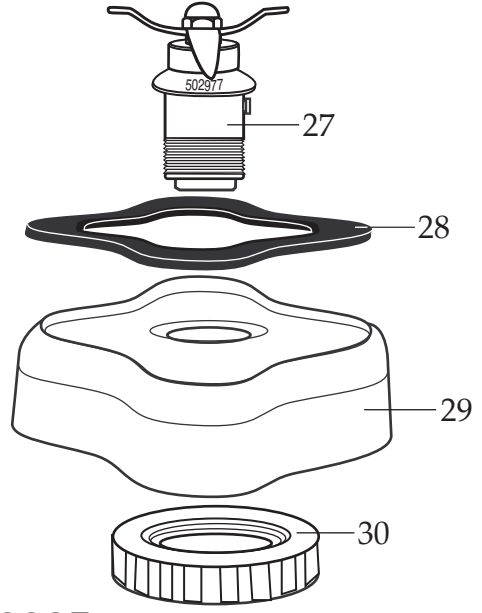
**502977**  
Blending Assembly  
(replaces 502493 & 502975)



**Parts to old 502493  
Blending Assy.**  
different from new Assy.  
(limited quantities available)  
018397 - Washer  
018388 - O Ring  
023903 - Bearing Cap



**502235** - Container with Blending Assy.  
**704587** - Container Complete with Lid



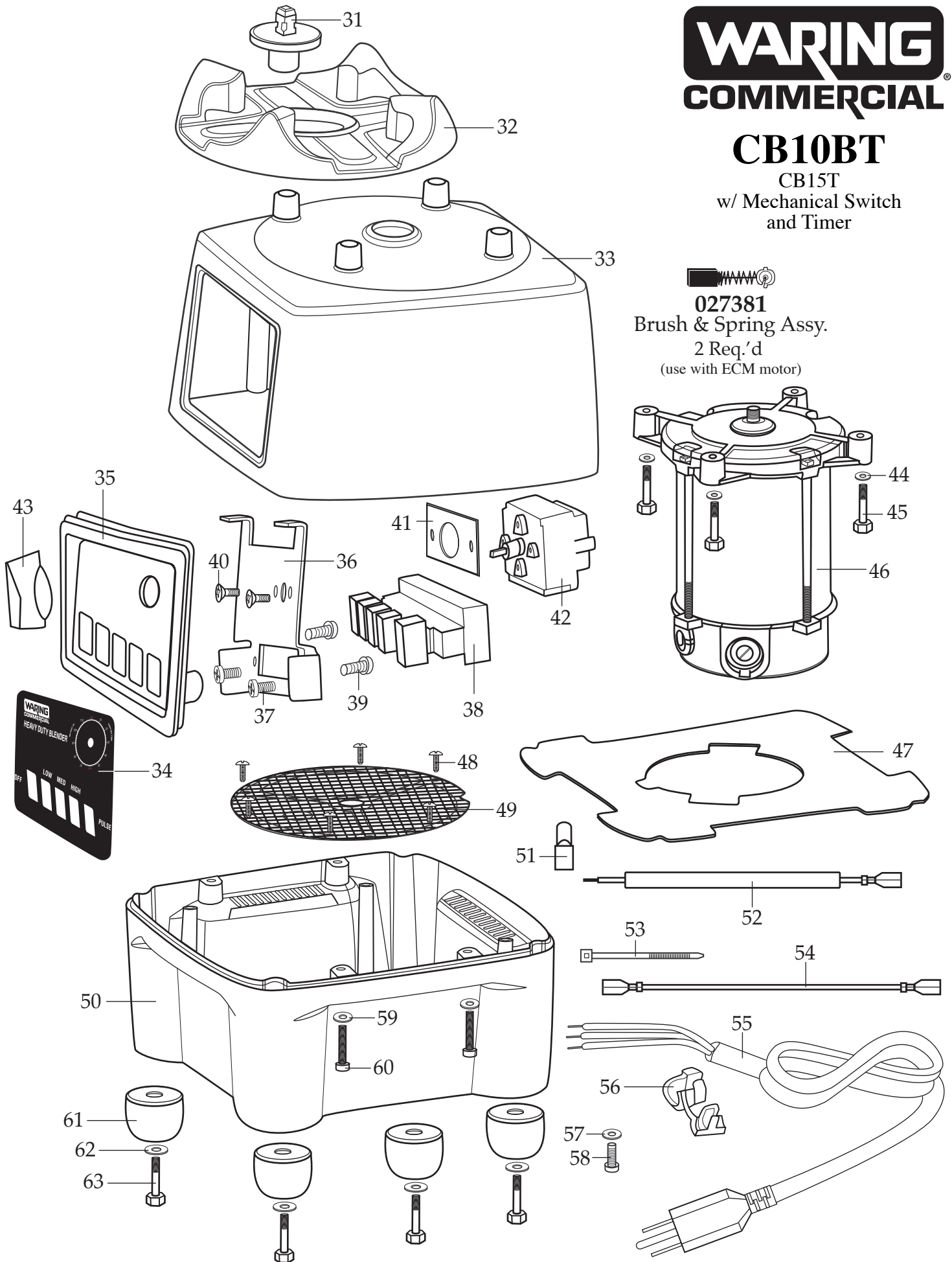
Unit Information	
15.0 Amps.	
3.75 HP	
Operating Cycle is 3 Min. ON and 1 Min. OFF	
Timer Adjustable From 1 to 120 seconds	

## CB10BT

CB15T  
w/ Mechanical Switch  
and Timer



**027381**  
Brush & Spring Assy.  
2 Req.'d  
(use with ECM motor)



Catalog#  
CB10BT

Model  
Same



Illustration #	Part #	Description
1	024000	Outer Lid /polycarbonate for hot blending
2	026496	Gasket
3	023998	Baffle Cup for hot blending lid
4	002972	Cap Nut
5	027581	Washer /flat
6	027683	Blade
7	018389	"O" Ring
8	027582	Bearing Cap
9	018390	"V" Ring /small
10	023934	Bearing Holder
11	004946	Washer /teflon
12	018386	Bearing
13	023926	Spacer
14	023907	Spring Washer
15	023927	Retaining Ring
16	023906	"V" Ring /large
17	023933	Drive Shaft
18	025817	Key
19	028530	Cover Insert ( <i>current production</i> )
20	028226	Outer Lid /vinyl ( <i>current production</i> )
21	013470	Stopper ( <i>older units</i> )
22	013469	Stainless Steel Outer Lid /optional
	023999	Plastic Outer Lid ( <i>no longer available</i> )
23	017442	Gasket /stainless steel lid
	026496	Gasket /plastic lid ( <i>older units</i> )
24	008791	Latch Wire 3 Req.'d
25	502773	Bracket Assy. /spot welded to container 3 Req.'d
26	023909	Double Handle Container
27	502977	Blending Assy. /complete
28	004949	Gasket /container base
29	025571	Container Support /container base
30	012008	Lock Nut
31	502696	Coupling Assy.
32	025871	Jar Pad /one piece
33	502827	Top Housing with one piece Jar Pad
	026316	Top Housing ONLY

Illustration #	Part #	Description
34	026723	Name Plate
35	026149	Switch Timer Panel
36	026157	Timer Switch Plate
37	027006	Screw 2 Req.'d
38	018794	Switch
39	002436	Screw 2 Req.'d
40	019348	Screw 2 Req.'d
41	019317	Timer Standoff
42	018102	Timer Switch
43	018105	Knob
44	002984	Washer 4 Req.'d
45	016691	Bolt 4 Req.'d
46	026170	ECM Motor
47	026318	Plastic Baffle
48	026500	Screw 6 Req.'d
49	018791	Screen
50	026317	Bottom Housing
51	019123	Crimp Connector
52	502853	Lead & Fuse Assy,
53	013731	Cable Tie 4 Req.'d
54	502241	Lead Assy. /black
55	502855	Cord Set
56	018811	Strain Relief
57	014798	Washer
58	016317	Screw
59	002984	Washer 4 Req.'d
60	026412	Screw 4 Req.'d
61	026296	Foot 4 Req.'d
62	018314	Washer 4 Req.'d
63	026493	Screw 4 Req.'d

