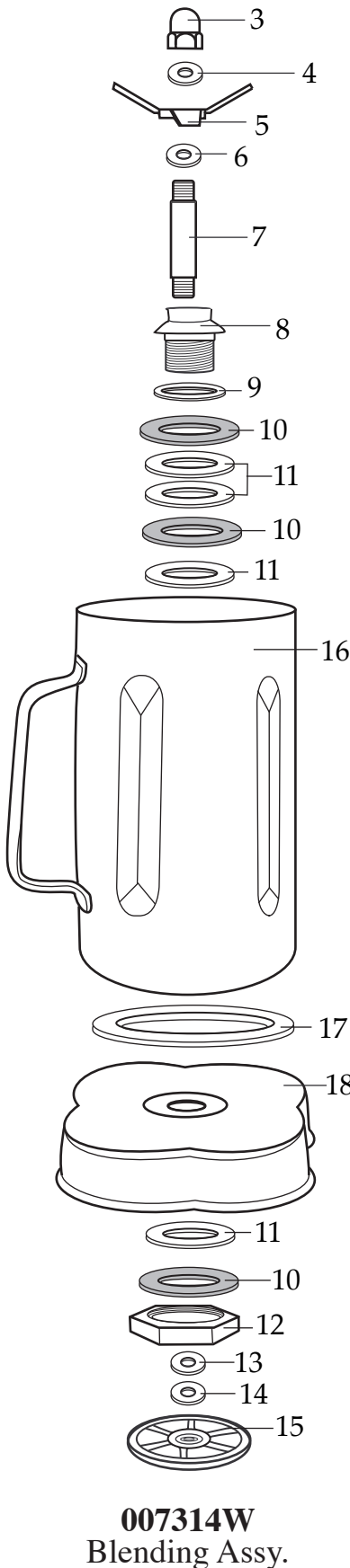
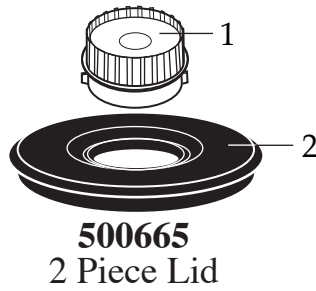


# WARING COMMERCIAL CAC35

32 Ounce Stainless Steel Container Complete  
with Wheel Drive Blending Assembly and Lid



**500757**  
Container with Blending Assy.

**500750**  
Container with Blending Assy.  
and Lid

Illustration #	Part #	Description
1	011700	Center Lid
2	013443	Outer Lid
3	003504	Cap Nut
4	003609	Washer /stainless steel
5	024203	Blade
6	002903	Washer
7	003601	Shaft
8	009778	Bearing Holder
9	009724	Washer /nylon
10	003537	Washer /stainless steel 3 Req.'d
11	003509	Washer /neoprene 4 Req.'d
12	009780	Hex Nut /left hand thread
13	003526	Washer /phenolic
14	006937	Washer /stainless steel
15	003138	Coupling
16	012860	Stainless Steel Container /32 oz.
17	009762	Gasket
18	015055	Container Adapter