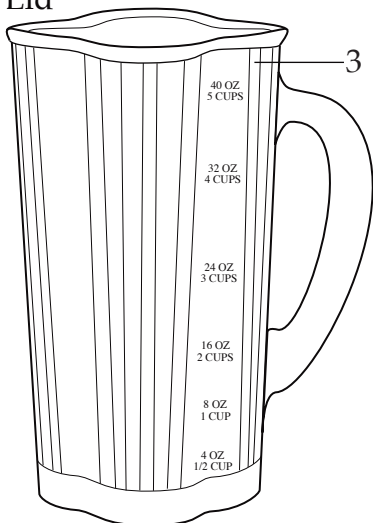
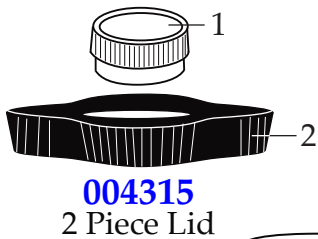
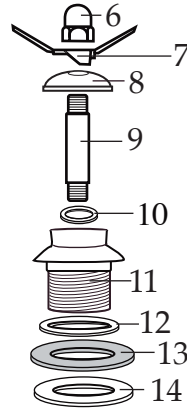
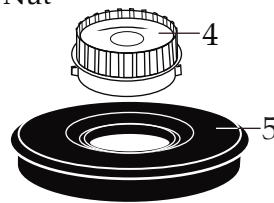


**007314W** (after market replacement)  
Blending Assembly

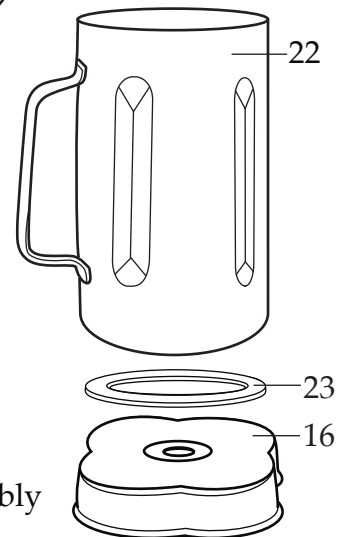
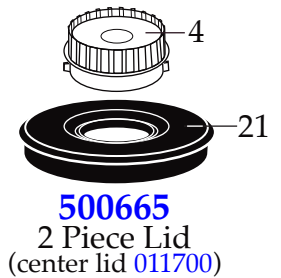


503403  
Container with Blending Assembly  
(on units after 4/3/2012)

500210  
Container with 007314 Blending Assembly



501427  
Container with Blending Assembly



500757  
Container with Blending Assembly

500750  
Container with Blending Assembly  
and Lid



2 Speed Bar Blenders

**BB900G**  
glass container

**BB900P**  
plastic container

**BB900S**  
stainless steel container

*Marked for Deletion*

**BB900M** (on 10/13/2003)  
BB900P with Boku nameplate



Base Unit Components

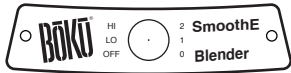
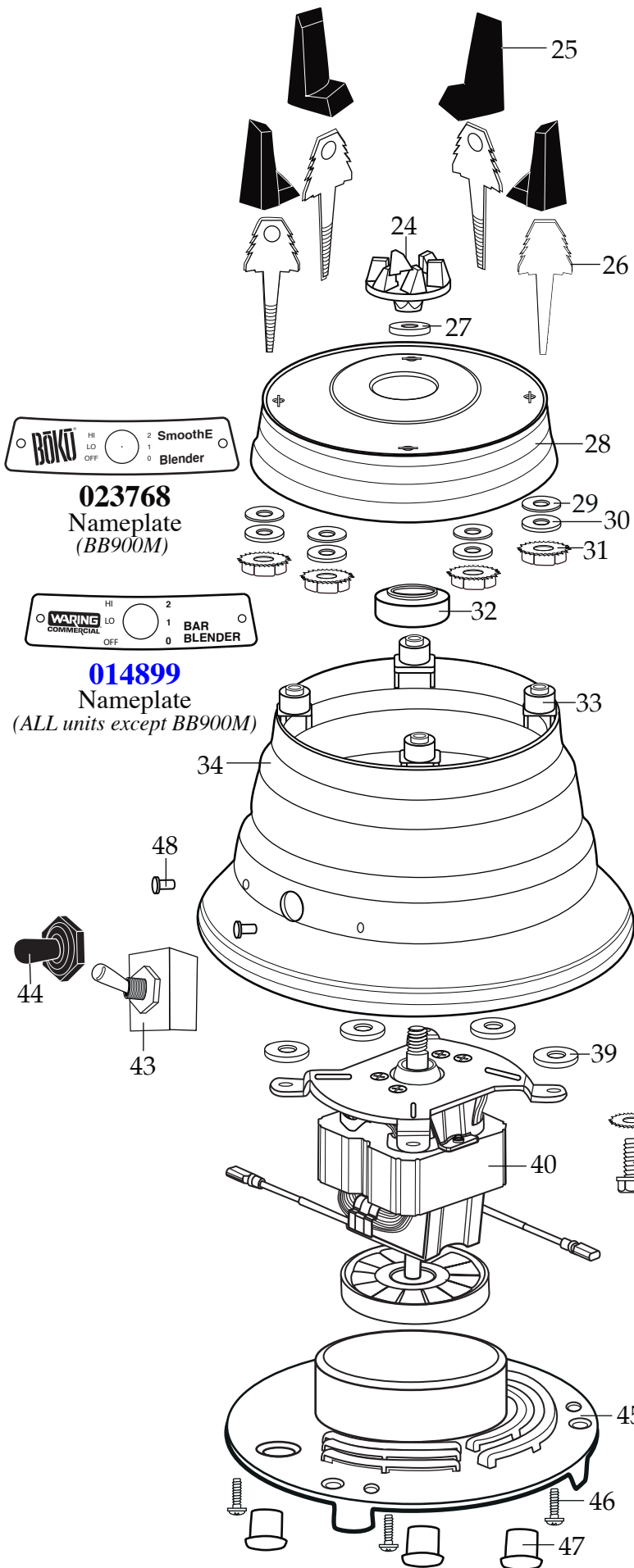
**BB900G**  
glass container

**BB900P**  
plastic container

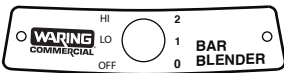
**BB900S**  
stainless steel container

**Marked for Deletion**

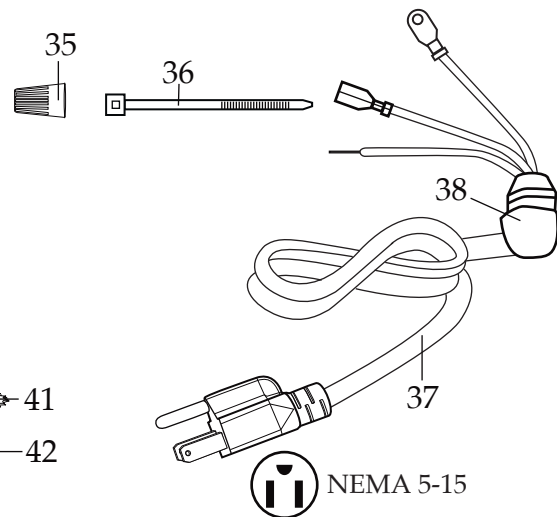
**BB900M** (on 10/13/2003)  
BB900P with Boku nameplate



**023768**  
Nameplate  
(BB900M)



**014899**  
Nameplate  
(ALL units except BB900M)



Date Code Location  
YY|MM|DD  
year year|month month|day day

**Catalog****Model**

	<i>(units after 3/31/2010)</i>	<i>(units after 2/1/1999)</i>	
<b>BB900G</b>	WF2111211	51BL20	33BL78
<b>BB900P</b>	WF2111215	51BL21	34BL62
<b>BB900S</b>	WF2111213	51BL20	33BL78
<b>BB900M</b>	<i>Marked for Deletion</i>		39BL55



<b>Illustration#</b>	<b>Part#</b>	<b>Description</b>
1	003146	Center Lid
2	003574-09	Clover Leaf Outer Lid <i>(changed after 3/19/2007)</i>
3	003573	40 oz. Glass Container
4	011700	Center Lid
5	013442	Outer Lid
6	027862 003504	Cap Nut <i>(on units after 7/2/2021)</i> Cap Nut
7	024203	Blade <i>(changed after 2/12/2002)</i>
8	014846	Bearing Cap
9	003601	Shaft
10	002903	Rubber Washer
11	009778	Bearing Holder
12	009724	Nylon Washer
13	003537	Stainless Steel Washer (2 required)
14	003509	Neoprene Washer (2 required)
15	014549-E	48 oz. Eastman Container <i>(changed after 6/23/2011)</i>
16	015055	Container Adapter
17	009780	Hex Nut
18	003526	Phenolic Washer
19	006937	Stainless Steel Washer
20	003138	Coupling
21	013443	Outer Lid
22	012860	32 oz. Stainless Steel Container
23	009762	Gasket
24	014009	Coupling
25	033058-09 003137-09	Jar Pad <i>(on units after 4/3/2012)</i> Use 033058-09S
26	007967	Jar Pad Stud (4 required)
27	035756	Cap Washer <i>(on units after 10/12/2017)</i>
28	017289	Plated Top Cover
29	012752	Seal (4 required)
30	012751	Alum Spacer (4 required)
31	015165	Whizlock Nut (4 required)

**Waring Factory Service Center**  
**314 Ella T. Grasso Ave.**  
**Torrington, CT 06790**  
**Tele. 1-800-269-6640**

**Fax 860-496-9017**  
**[www.waringcommercialproducts.com](http://www.waringcommercialproducts.com)**

# Catalog

# Model

	<i>(units after 3/31/2010)</i>	<i>(units after 2/1/1999)</i>	
<b>BB900G</b>	WF2111211	51BL20	33BL78
<b>BB900P</b>	WF2111215	51BL21	34BL62
<b>BB900S</b>	WF2111213	51BL20	33BL78
<b>BB900M</b>	<i>Marked for Deletion</i>		39BL55



<b>Illustration#</b>	<b>Part#</b>	<b>Description</b>
32	032645 018594	Housing Seal <i>(on units after 10/12/2017)</i> Housing Seal
33	038087	Spacer (4 required <i>on units after 11/26/2020</i> )
34	038105 014790-B-CHM 014790-A-CHM	Base with 014899 Name Plate Attached Base <i>(on units after 11/26/2020)</i> Bright Chrome Base ONLY <i>(changed after 4/3/2012)</i>
35	009051	Wire Nut (1 required <i>on units after 8/5/2004</i> ) - (2 required)
36	013731	Cable Tie
37	501162 003565 500830	Cord Set <i>(on units after 6/25/2008)</i> Cord Set <i>(on units after 9/4/2002)</i> Cord Set
38	016041 013680 016041	Strain Relief <i>(on units after 10/12/2017)</i> Strain Relief <i>(on units after 8/4/2008)</i> Strain Relief
39	002676	Alum Spacers (4 required)
40	035309 027255	Chiaphua Motor <i>(on units after 10/12/2017)</i> ECM Motor <i>(changed after 8/5/2004)</i>
41	002943	Ground Washer
42	027278 013659	Ground Screw <i>(on units after 4/3/2012)</i> Ground Screw
43	029355 026800 012698	Switch <i>(on units after 6/30/2009)</i> Use 029355 <i>(changed after 7/29/2003)</i> Switch
44	012703	Switch Seal (boot)
45	028532 503470 027790 503011 502974 026151 502776	Plastic Bottom Plate ONLY <i>(on units after 10/12/2017)</i> Plastic Bottom Plate Assembly with Cord <i>(on units after 10/12/2017)</i> Metal Bottom Plate ONLY <i>(on units after 8/4/2008)</i> Metal Bottom Plate Assembly with Cord Set <i>(on units after 8/4/2008)</i> Plastic Bottom Plate Assembly with Cord Set <i>(on BB900G &amp; P after 8/5/2004)</i> <i>(on BB900S after 4/1/2005)</i> Plastic Bottom Plate ONLY Plastic Bottom Plate Assembly with Cord Set
46	035531 503376 002891 024645	Foot (3 required <i>on units after 10/12/2017</i> ) Screw & Foot Assembly (3 required <i>on units after 5/12/2010</i> ) Foot (3 required <i>on units after 8/4/2008</i> ) Foot (3 required plastic bottom plates)
47	013659 003569 013659	Screw (3 required <i>on units after 10/12/2017</i> ) Screw <i>(on units after 8/4/2008 use 503376)</i> Screw (3 required plastic bottom plates)
48	003532	Rivet (2 required)

**Waring Factory Service Center**  
**314 Ella T. Grasso Ave.**  
**Torrington, CT 06790**  
**Tele. 1-800-269-6640**

**Fax 860-496-9017**  
**www.waringcommercialproducts.com**

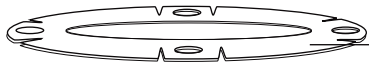
**Catalog**

**Model**

	<i>(units after 3/31/2010)</i>	<i>(units after 2/1/1999)</i>	
<b>BB900G</b>	WF2111211	51BL20	33BL78
<b>BB900P</b>	WF2111215	51BL21	34BL62
<b>BB900S</b>	WF2111213	51BL20	33BL78
<b>BB900M</b>	<i>Marked for Deletion</i>		39BL55



**Parts No Longer Used**



**003563**  
Baffle  
*(on units with ECM motors)*



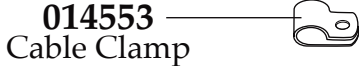
**025628**  
Brush & Spring  
(2 required)  
*(on units with ECM motors)*



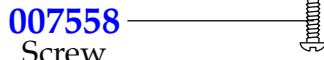
**002957**  
Hex Nut  
*(BB900P units before 2/14/2003 & All BB900M)*



**500916**  
Lead Assembly with **003262**-Diode  
*(on units before 1/3/2004)*



**014553**  
Cable Clamp  
*(BB900P units before 2/14/2003 & All BB900M)*



**007558**  
Screw  
*(BB900P units before 2/14/2003 & All BB900M)*

**502874**  
Lead Assembly with **003262**-Diode  
*(for BB900M and BB900 (on units before 4/1/2005))*



**002962**  
Clamp Screw  
*(BB900G & S units before 2/14/2003)*



**016211**  
Foot Plug  
(3 required for BB900M & BB900P units before 2/14/2003)



**016410**  
Clamp Stain Relief  
*(BB900G & S units before 2/14/2003)*

