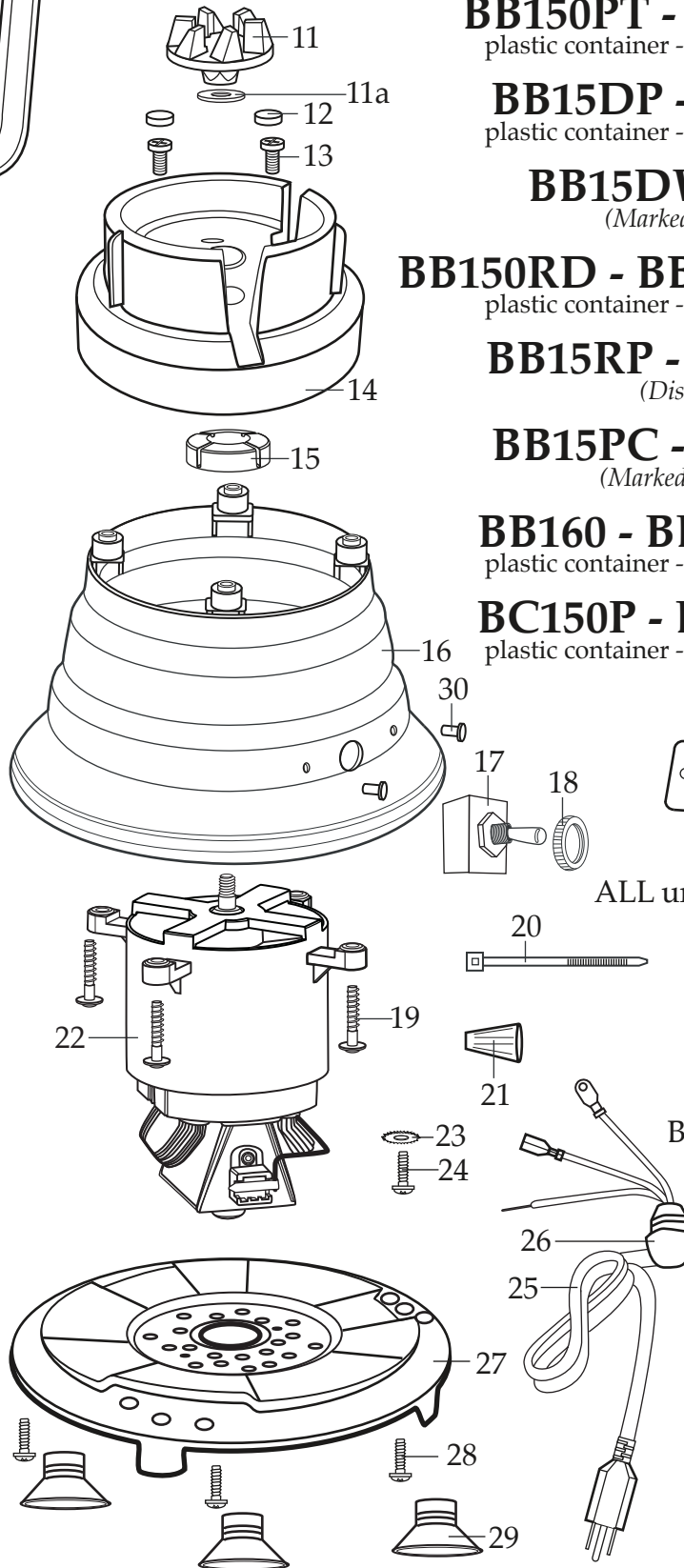


**500665**  
2 Piece Lid (black)

**501460**  
Stainless Steel Container  
with Jar Bottom Assy. (black)

### Unit Information

Limited 2 Year Warranty  
Listing *Current-ETL Older-UL*  
60Hz - 3.0 Amps  
2 Speed Motor  
Drive Coupling Easily Replaced  
on Site



# WARING COMMERCIAL®

## BB150 - BB150S

plastic container - stainless steel container

**BB150PT - BB150ST** /Taiwan  
plastic container - stainless steel container

**BB15DP - BB15DS** /Don  
plastic container - stainless steel container

**BB15DW** /Don white base  
(Marked for Deletion)

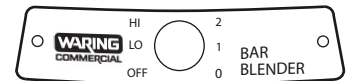
**BB150RD - BB150SRDS** /Rest Depot  
plastic container - stainless steel container

**BB15RP - BB15RS** /Rykoff  
(Discontinued)

**BB15PC - BB15SC** /Sysco  
(Marked for Deletion)

**BB160 - BB160S** /chrome base  
plastic container - stainless steel container

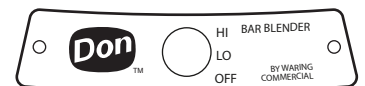
**BC150P - BC150S** /Canadian  
plastic container - stainless steel container



**014899**

Name Plate

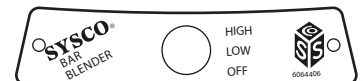
ALL units EXCEPT Don & Sysco



**018139**

Name Plate

BB15DP, BB15DS, BB15DW



**023257**

Name Plate  
BB15PC, BB15SC

Catalog	Older Model	2nd Generation Model	Current Model
BB150 - BB150RD	36BL93	51BL13	WF1112217
BB150S - BB150SRDS	36BL70	51BL10	WF1112219
BB150PT - BB150ST		BB150*T	
BB15DP	37BL30	51BL14	WF1112217
BB15DS	37BL31	51BL11	WF1112219
BB15DW	39BL21	51BL15	
BB15RP - BB15RS	47BL10		
BB15PC - BB15SC	38BL36	51BL12	
BB160	39BL67	51BL35	WF1112217
BB160S		BB160S	WF1112219
BC150P - BC150S	36BL82	BC150*	WF1111217 - WF1111219



Illustration #	Part #	Description
1	018534	Lid Insert
2	024367-09	Outer Lid /black
	018532	Outer Lid /white
3	018531	Jar /plastic 48 oz.
4	006890	Gasket
5	502508	Blending Assy.
6	015388-09	Jar Bottom /black
	015388-01	Jar Bottom /white
7	011700	Center Lid
8	013443	Outer Lid
9	024661	Jar /stainless steel 32 oz.
10	013304	NSF Seal /ALL units EXCEPT Taiwan units
11	014009	Coupling
11a	003609	Washer <i>(current production)</i>
12	016094	Hole Plug 2 Req.'d
13	013768	Screw 2 Req.'d - <i>not need in current production</i>
14	017381-09-H	Jar Adapter /black
	017381-01	Jar Adapter /white
	019605	Jar Adapter /white <i>(older units)</i>
15	030171	Housing Seal <i>(current production)</i>
	018605	Housing Seal <i>(2nd generation &amp; older units)</i>
16	030218-09W	Base /black <i>(current production)</i>
	019608-09W	Base /black <i>(2nd generation &amp; older units)</i>
	019608-01	Base /white <i>(2nd generation)</i>
	019602	Base /white <i>(older units)</i>
	030217	Base /chrome <i>(current production)</i>
	016313	Base /chrome <i>(2nd generation &amp; older units)</i>
17	029355	Switch <i>(current production)</i>
	026800	Switch <i>(2nd generationn)</i>
	012698	Switch <i>(older units)</i>
18	015098	Nut Ring
19	030170	Shoulder Screw & Washer 4 Req.'d <i>(current production)</i>
	024595	Screw & Washer 4 Req.'d <i>(2nd generationn)</i>
	001832	Screw 4 Req.'d <i>(older units)</i>
	015383	Washer 4 Req.'d with 001832 - screw <i>(older units)</i>

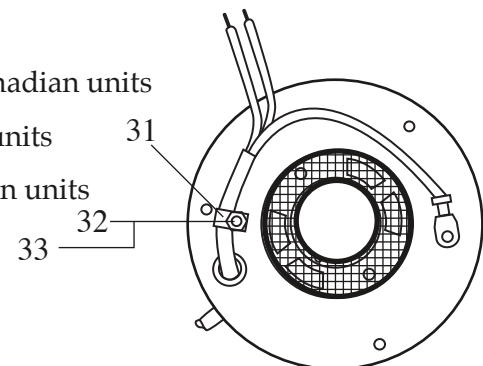
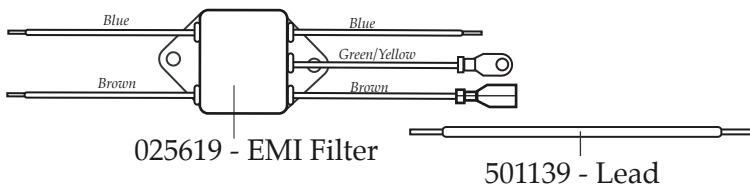
Catalog	Older Model	2nd Generation Model	Current Model
BB150 - BB150RD	36BL93	51BL13	WF1112217
BB150S - BB150SRDS	36BL70	51BL10	WF1112219
BB150PT - BB150ST		BB150*T	
BB15DP	37BL30	51BL14	WF1112217
BB15DS	37BL31	51BL11	WF1112219
BB15DW	39BL21	51BL15	
BB15RP - BB15RS	47BL10		
BB15PC - BB15SC	38BL36	51BL12	
BB160	39BL67	51BL35	WF1112217
BB160S		BB160S	WF1112219
BC150P - BC150S	36BL82	BC150*	WF1111217 - WF1111219



## Illustration# Part# Description

20	013731	Cable Tie 2 Req.'d
21	009051	Wire Nut 1 Req.'d (current production & 2nd generation) 2 Req.'d (older units) 5 Req.'d / Taiwan units
	012409	Crimp Connector 2 Req.'d / Canadian units
22	027255	Motor / zinc cast – ETL listing (current production)
	024488	Motor / sheet metal – UL listing (2nd generation & older units)
23	002943	Lock Washer
24	027278	Screw (current production)
	013659	Sem (2nd generation)
	015383	Washer (older units) 4 Req.'d
	001832	Screw (older units) 4 Req.'d
25	501162	Cord Set ALL units EXCEPT ones listed below
	003565	Cord Set / Taiwan & Canadian (current production & 2nd generation)
	500830	Cord Set / (older) Taiwan and (older) Canadian units
26	016041	Strain Relief / ALL units EXCEPT Canadian units
27	024055-H	Bottom Plate ONLY / ALL units EXCEPT ones listed below
	024055-R	Bottom Plate / Taiwan
	502692	Bottom Plate Assy. with Cord Set / Canadian units
	502747	Bottom Plate Assy. NO Cord Set / Canadian units
	501733	Bottom Plate Assy. / (older) Canadian units
28	013659	Sem 3 Req.'d
	003569	Screw 3 Req.'d / Canadian units
29	026278	Suction Cup Foot 3 Req.'d
	002891	Foot 3 Req.'d / Canadian units
30	003532	Rivet 2 Req.'d
31	014553	Cable Clamp / Canadian units
32	007558	Screw / Canadian units
33	012369	Keq Nut / Canadian units

### BB150PT-BB150ST Items



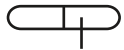
502962

Bottom Plate Assy. Canadian Units

Revised November 16, 2009 Page 3 of 4

Catalog	Older Model	2nd Generation Model	Current Model
BB150 - BB150RD	36BL93	51BL13	WF1112217
BB150S - BB150SRDS	36BL70	51BL10	WF1112219
BB150PT - BB150ST		BB150*T	
BB15DP	37BL30	51BL14	WF1112217
BB15DS	37BL31	51BL11	WF1112219
BB15DW	39BL21	51BL15	
BB15RP - BB15RS	47BL10		
BB15PC - BB15SC	38BL36	51BL12	
BB160	39BL67	51BL35	WF1112217
BB160S		BB160S	WF1112219
BC150P - BC150S	36BL82	BC150*	WF1112217 - WF111219

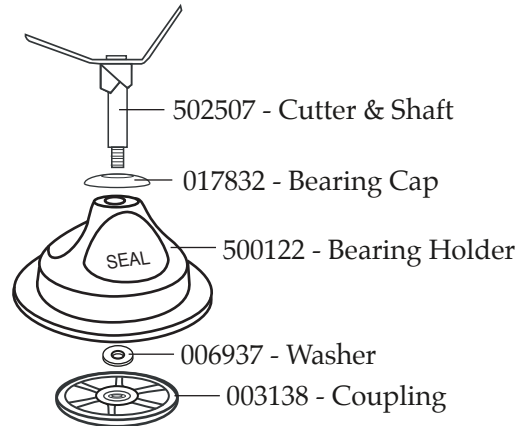
## BC150P-BC150S Items



502693 - Fuse Assy. / (current production)

### Not Shown

- 501400 - Lead / (older units) use 2 wire nuts
- 502512 - Lead & Diode / (003262) (older units) that use 2 wire nuts
- 500916 - Lead & Diode (003262) / (older units) not shown
- 002943 - Washer 2 Req.'d / screen (older units)
- 002881 - Kep Nut 2 Req.'d / ground lead (older units)
- 501512 - Lead / (older units)
- 014312 - Screen / (older units)



## Parts for the 502508 Blending Assy.

(that can be purchased separately)

