

WARING COMMERCIAL

Bar Blender

BB150 - BB150S

plastic container - stainless steel container

BB150RD - BB150SRDS / Rest. Depot
plastic container - stainless steel container

BC150P - BC150S / Canadian
plastic container - stainless steel container

Marked for Deletion

BB150PT - BB150ST / Taiwan (on 9/21/2009)

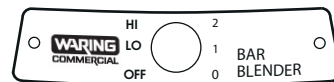
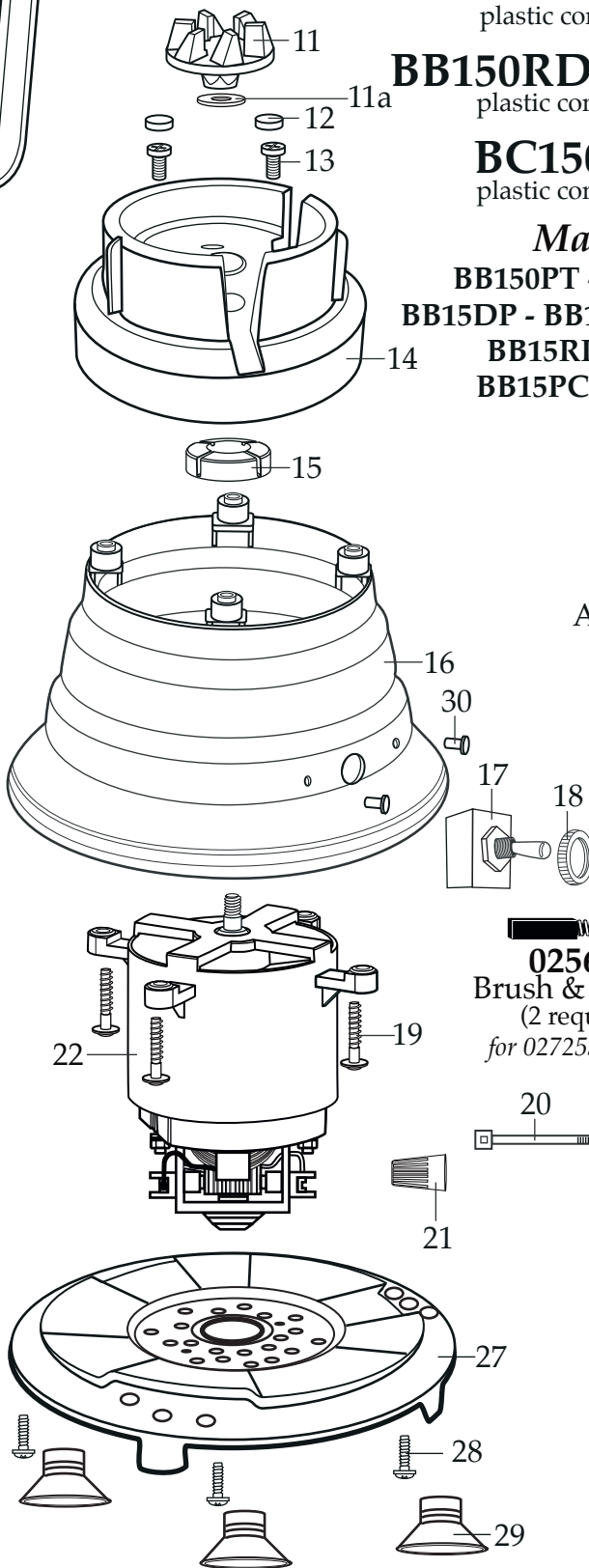
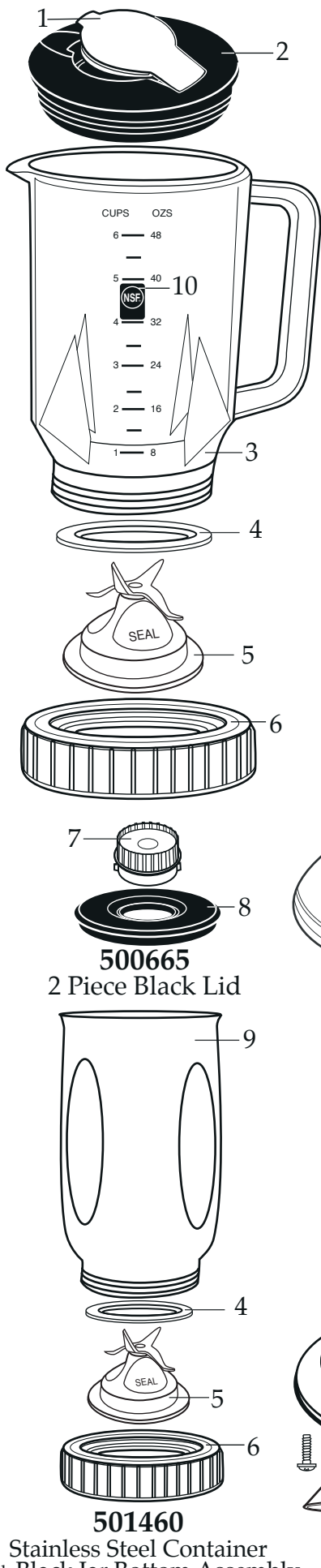
BB15DP - BB15DS - BB15DW / Don (on 4/19/2011)

BB15RP - BB15RS / Rykoff (3/25/2002)

BB15PC - BB15SC / Sysco (on 8/29/2006)

Unit Information

Limited 2 Year Warranty
Listing *Current-ETL Older-UL*
60Hz - 3.0 Amps
2 Speed Motor
Drive Coupling Easily Replaced
on Site



014899

Name Plate

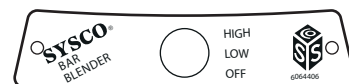
ALL units EXCEPT Don & Sysco



018139

Name Plate

BB15DP, BB15DS, BB15DW



023257

Name Plate

BB15PC, BB15SC

025628
Brush & Spring
(2 required
for 027255 motor)

501460
Stainless Steel Container
with Black Jar Bottom Assembly

Catalog	Model <i>(on units after 10/19/2009)</i>	Model <i>(on units after 10/24/2000)</i>	Model
BB150 - BB150RD	WF1112217	51BL13	36BL93
BB150S - BB150SRDS	WF1112219	51BL10	36BL70
BC150P	WF1111217	BC150*	36BL82
BC150S	WF1111219	BC150*	36BL82
	Marked for Deletion		
BB150PT - BB150ST		BB150*T	
BB15DP	WF1112217	51BL14	37BL30
BB15DS	WF1112219	51BL11	37BL31
BB15DW		51BL15	39BL21
BB15RP - BB15RS			47BL10
BB15PC - BB15SC		51BL12	38BL36

Waring Factory Service Center
314 Ella T. Grasso Ave.
Torrington, CT 06790
Tele. 1-800-269-6640

Fax 860-496-9017
www.waringcommercialproducts.com

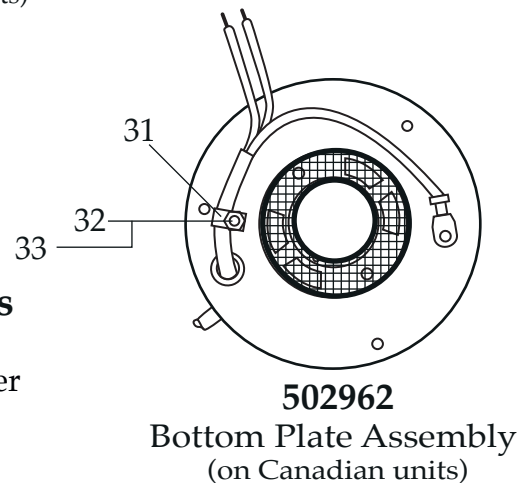
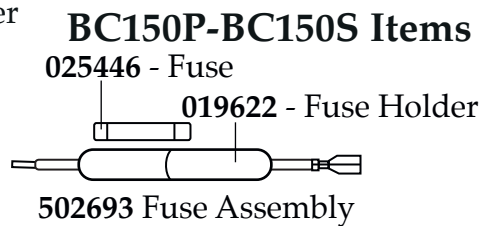
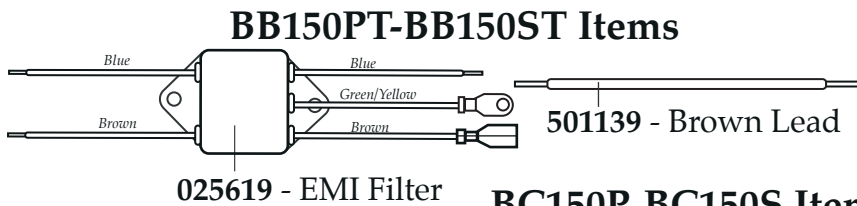
Illustration #	Part #	Description
1	018534	Lid Insert
2	024367-09	Black Outer Lid <i>(changed after 6/30/2010)</i>
	018532	White Outer Lid
3	018531-E	48 oz. Eastman Container <i>(changed after 6/30/2010)</i>
4	006890	Gasket
5	502508	Blending Assembly
6	015388-09	Black Jar Bottom <i>(changed after 8/15/2006)</i>
	015388-01	White Jar Bottom
7	011700	Center Lid
8	013443	1 Qt. Outer Lid
9	024661	32 oz. Stainless Steel Container
10	013304	NSF Seal (ALL units EXCEPT Taiwan units)
11	014009	Coupling
11a	003609	Washer <i>(on units after 10/8/2009)</i>
12	016094	Hole Plug (2 required)
13	013768	Screw (2 required not used with zinc motors)
14	017381-09-R	Black Jar Adapter <i>(changed after 3/25/2010)</i>
	019605	White Jar Adapter
15	030171	Housing Seal <i>(on units after 9/14/2009)</i>
	018605	Housing Seal
16	030218-09W	Black Base <i>(on units after 10/8/2009)</i>
	019608-09W	Black Base
	019602	White Base
17	029355	Switch <i>(changed after 5/14/2004)</i>
	012698	Switch
18	016236	Hex Nut <i>(on units after 4/12/2010)</i>
	015098	Nut Ring
19	030170	Shoulder Screw & Washer (4 required <i>on units after 9/30/2009</i>)
	002917	Screw (4 required <i>on BB150 units between 9/23 - 9/30/2009</i>) (4 required <i>on BC150P units 10/30/2009</i>)
	024595	Screw & Washer (4 required <i>on units after 4/2/2001</i>)
	001832	Screw (4 required)
	015383	Washer (4 required used with 001832 screw)
20	013731	Cable Tie (2 required)

Catalog	Model <i>(on units after 10/19/2009)</i>	Model <i>(on units after 10/24/2000)</i>	Model
BB150 - BB150RD	WF1112217	51BL13	36BL93
BB150S - BB150SRDS	WF1112219	51BL10	36BL70
BC150P	WF1111217	BC150*	36BL82
BC150S	WF1111219	BC150*	36BL82
Marked for Deletion			
BB150PT - BB150ST		BB150*T	
BB15DP	WF1112217	51BL14	37BL30
BB15DS	WF1112219	51BL11	37BL31
BB15DW		51BL15	39BL21
BB15RP - BB15RS			47BL10
BB15PC - BB15SC		51BL12	38BL36

Waring Factory Service Center
314 Ella T. Grasso Ave.
Torrington, CT 06790
Tele. 1-800-269-6640

Fax 860-496-9017
www.waringcommercialproducts.com

Illustration#	Part#	Description
21	009051	Wire Nut (1 required on ALL units Except for Taiwan and Canadian) (5 required on Taiwan units)
	012409	Crimp Connector (2 required on Canadian units)
22	027255	Motor (zinc cast – ETL listing <i>on units after 9/22/2009</i>)
	024488	Motor (sheet metal – UL listing obsolete)
23	002943	Lock Washer
24	027278	Ground Screw (<i>on units after 1/8/2010</i>)
	013659	Screw
25	501162	Cord Set (ALL units EXCEPT Canadian units)
	003565	Cord Set (on Canadian units <i>after 8/19/2002</i>)
	500830	Cord Set (on Canadian units)
26	016041	Strain Relief (ALL units EXCEPT Canadian units)
27	024055-R	Bottom Plate ONLY (ALL units EXCEPT see below <i>changed after 2/17/2010</i>)
	502692	Bottom Plate Assembly with Cord Set (on Canadian units)
	502747	Bottom Plate Assembly with Screen (on Canadian units <i>changed after 7/12/2001</i>)
	501733	Bottom Plate Assembly (on Canadian units obsolete)
28	013659	Screw (3 required)
	003569	Screw (3 required Use 503376-feet with screws on Canadian units)
29	026278	Suction Cup Foot (3 required)
	002891	Foot (3 required on Canadian units)
30	003532	Rivet (2 required)
31	014553	Cable Clamp (on Canadian units)
32	007558	Screw (on Canadian units)
33	012369	Kep Nut (on Canadian units)



Catalog

BB150 - BB150RD
 BB150S - BB150SRDS
 BC150P
 BC150S

Model

(on units after 10/19/2009) (on units after 10/24/2000)

WF1112217
 WF1112219
 WF1111217
 WF1111219

Model

51BL13
 51BL10
 BC150*
 BC150*

Model

36BL93
 36BL70
 36BL82
 36BL82

Marked for Deletion

BB150PT - BB150ST
 BB15DP
 BB15DS
 BB15DW
 BB15RP - BB15RS
 BB15PC - BB15SC

WF1112217
 WF1112219

BB150*T
 51BL14
 51BL11
 51BL15
 51BL12

37BL30
 37BL31
 39BL21
 47BL10
 38BL36

Waring Factory Service Center
 314 Ella T. Grasso Ave.
 Torrington, CT 06790
 Tele. 1-800-269-6640
 Fax 860-496-9017
 www.waringcommercialproducts.com



Parts for the 502508 Blending Assembly
 (that can be purchased separately)

Parts No Longer Used

(on units before 4/2/2001)

