

# WARING COMMERCIAL

2 Speed Blender

**7011BU** /base ONLY

**7011G** /glass container

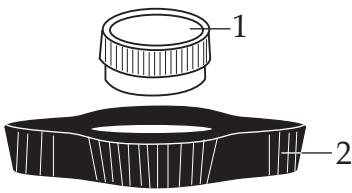
**7011S** /stainless steel container

## Unit Information

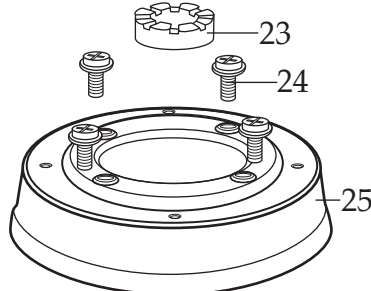
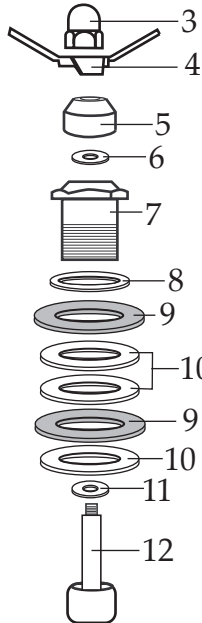
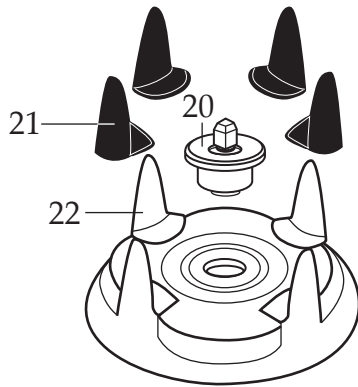
3 Amps.

No Load RPM's

High 22,000 Low 18,000



**004315**  
2 Piece Lid  
(for glass container)

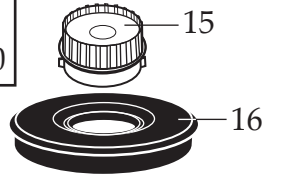


**Unit Information**

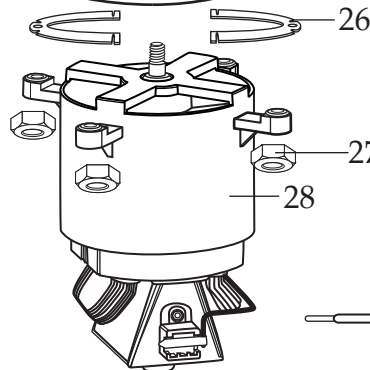
3 Amps.

No Load RPM's

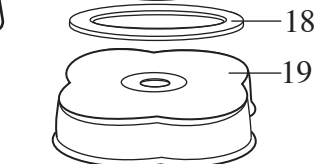
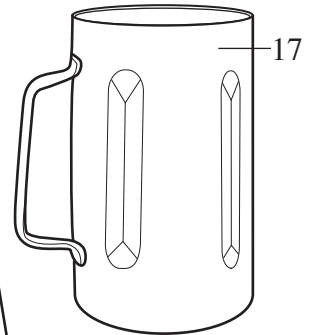
High 22,000 Low 18,000



**500665**  
2 Piece Lid  
(for stainless steel container)

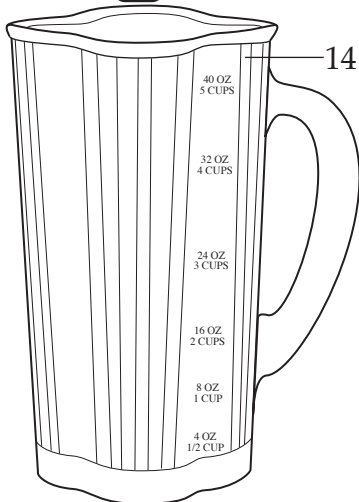


**025628**  
Brush & Spring  
(2 required)



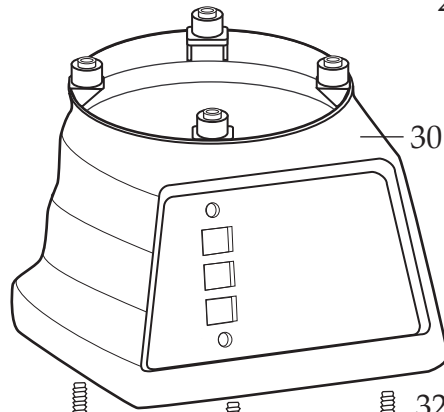
**500778**  
Blending Assembly  
(same as glass container)

**500339**  
Stainless Steel Container  
with Blending Assembly

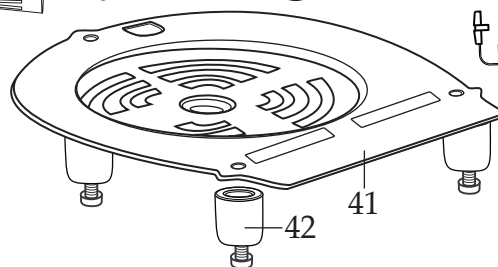
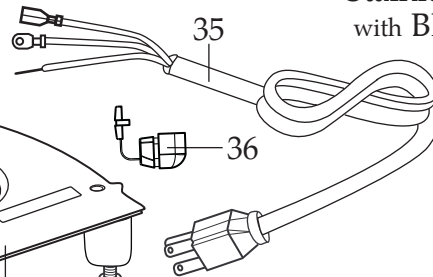
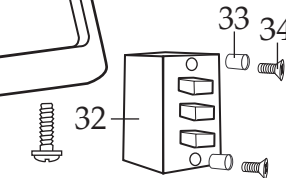
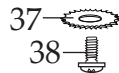
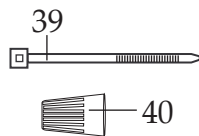


**500778**  
Blending Assembly

**500211**  
Glass Container  
with Blending Assembly



**010163**  
Name Plate



**Catalog**

7011BU WF2211210

7011G WF2211212

7011S WF2211214

*(on units after 3/30/2010)***Model**51BL31 (7011) 31BL92  
*(on units after 10/10/2000)*

<b>Illustration #</b>	<b>Part #</b>	<b>Description</b>
1	003146	Center Lid
2	003574-09	Outer Lid <i>(changed 5/18/2007)</i>
3	003504	Cap Nut
4	024224	Blade
5	003503	Bearing Cap
6	003508	Fairprene Washer
7	010012	Bearing Holder
8	009724	Nylon Washer
9	003537	Stainless Steel Washer (3 required)
10	003509	Neoprene Washer (4 required)
11	003510	Bakelite Washer
12	003500	Drive Shaft
13	009780	Hex Nut
14	003573	40 oz. Glass Jar
15	011700	Center Lid
16	013443	Vinyl Outer Lid
17	012860	32 oz. Stainless Steel Jar
18	009762	Gasket
19	015055	Container Adapter
20	002518	Drive Coupling
21	003498	Jar Pad (4 required)
22	018996	Jar Holder
23	019936	Housing Seal
24	012370	Screw (4 required)
25	017283	Plated Motor Bracket
26	016610	Half Baffle (2 required)
27	012369	Kep Nut (4 required)
28	027255	Motor <i>(changed 11/10/2004)</i>

**Catalog**

7011BU WF2211210  
 7011G WF2211212  
 7011S WF2211214

(on units after 3/30/2010)

**Model**

51BL31 (7011) 31BL92  
 (on units after 10/10/2000)

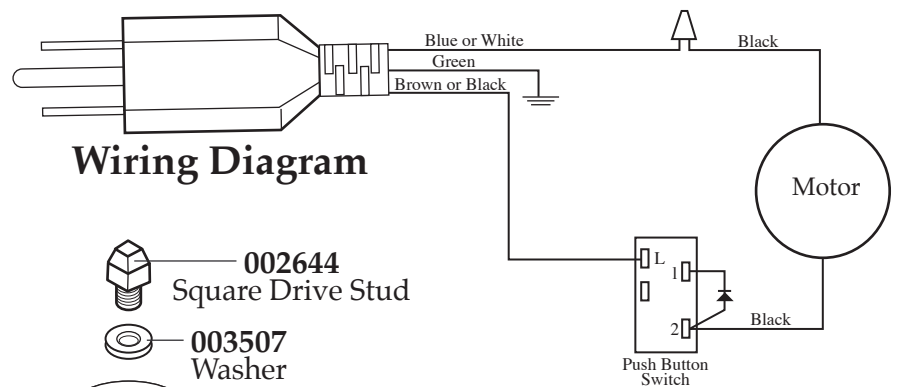
**Waring Factory Service Center**  
 314 Ella T. Grasso Ave.  
 Torrington, CT 06790  
 Tele. 1-800-269-6640  
 Fax 860-496-9017  
 www.waringcommercialproducts.com

Illustration #	Part #	Description
29	003262	Rectifier-diode (on units before 11/10/2004)
30	010416	Base
31	005240	Sems (4 required)
32	016043	Switch
33	003580	Spacer (2 required)
34	007783	Screw (2 required)
35	501162	Cord Set
36	013680	Strain Relief
37	002943	Ground Washer (on units after 4/21/2010)
38	013659	Ground Screw
39	013731	Cable Tie
40	009051	Wire Nut
41	025667	Bottom Plate Only (on 7011G units after 8/23/2002) (on 7011S units after 11/25/2002)
	502761	Bottom Plate Assembly with Cordset (on 7011G units after 8/23/2002) (on 7011S units after 11/25/2002)
	004794	Metal Bottom Plate ONLY
42	503376	Foot with Screw (3 required on units after 6/28/2010)
	002891	Foot (3 required) used with 003569 Screw (No Longer Available)





**Parts No Longer Used**

(on 7011G units after 8/23/2002)  
 (on 7011S units after 11/25/2002)

-  002962 - Clamp Screw
-  016410 - Clamp Stain Relief



**Wiring Diagram**

-  002644 Square Drive Stud
-  003507 Washer
-  003514 Slinger
-  002882 Rubber Coupling

**002518**

**Drive Coupling**

(parts that can be purchased separately)