

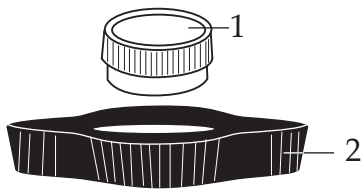
WARING COMMERCIAL®

2-Speed Heavy-Duty Blender

7011HB / Base Unit ONLY

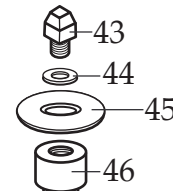
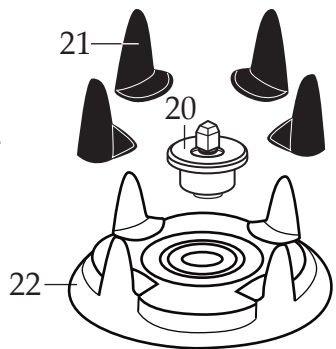
7011HG / Glass Container

7011HS / Stainless Steel Container



004315

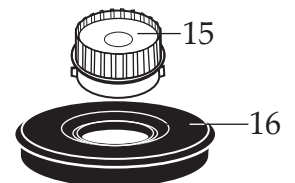
2 Piece Lid
for Glass Container



003559

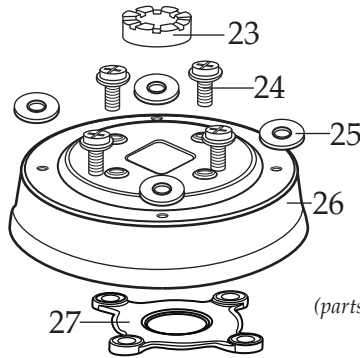
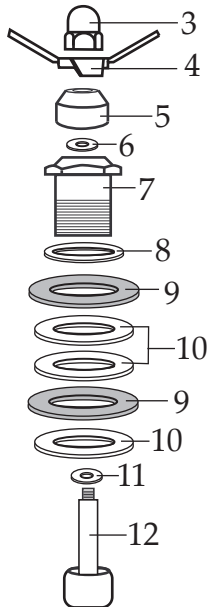
Drive Coupling

(parts that can be purchased separately)



500665

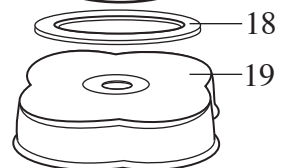
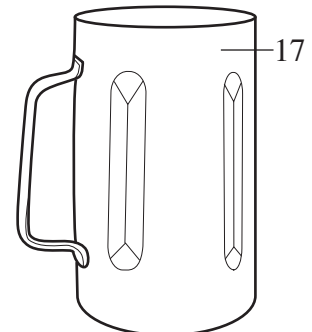
2 Piece Lid
for Stainless Steel Container



033194

Brush & Spring

(2 required)
(for 029321 motor)



500758

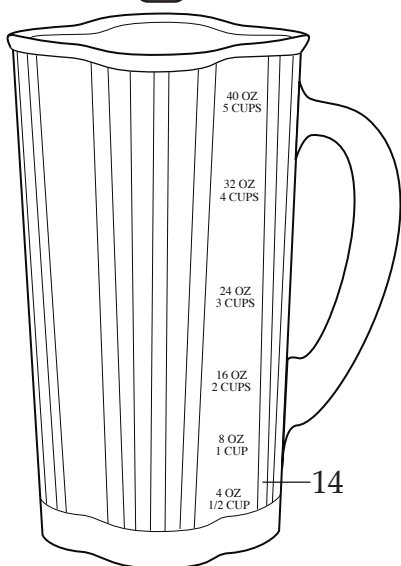
Stainless Steel Container
with Blending Assembly

008065

Stainless Steel Container
with Blending Assembly and Lid

003548

Blending Assembly
(same as glass container)

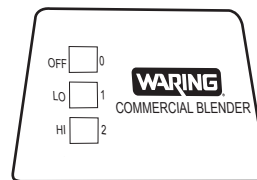
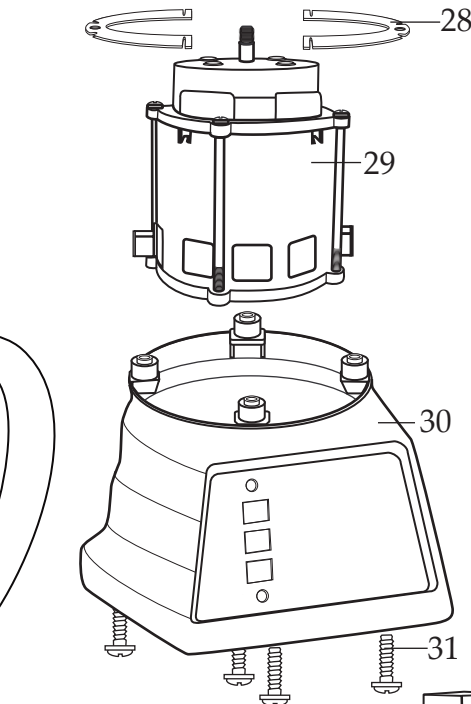


003548

Blending Assembly

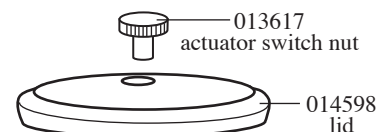
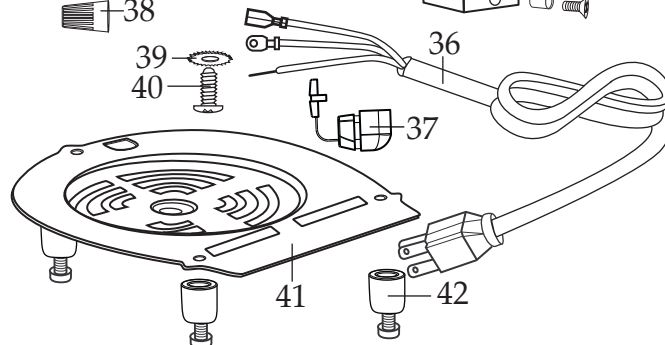
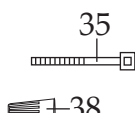
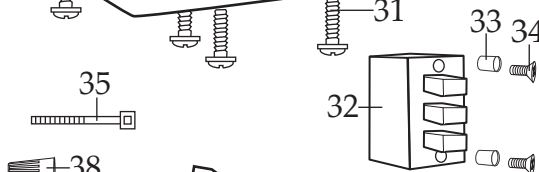
500204

Glass Container with
Blending Assembly



010163

Name Plate



501017 (optional)

Stainless Steel Lid
for Stainless Steel Container

Catalog**Model**

7011HB HGB2WTS3

7011HG HGB2WTG4

7011HS HGB2WTS3

(on units after 9/15/2006)

31BL41

Waring Factory Service Center

314 Ella T. Grasso Ave.

Torrington, CT 06790

Tele. 1-800-269-6640

Fax 860-496-9017

www.waringcommercialproducts.com

Illustration #**Part #****Description**

1	003146	Center Lid
2	003574-09	Vinyl Outer Lid <i>(changed after 1/29/2007)</i>
3	003504	Cap Nut
4	024204	Blade
5	003503	Bearing Cap
6	003508	Fairprene Washer
7	010012	Bearing Holder
8	009724	Nylon Washer
9	003537	Stainless Steel Washer (3 required)
10	003509	Neoprene Washer (4 required)
11	003510	Bakelite Washer
12	003500	Drive Shaft
13	009780	Hex Nut
14	003573	40 oz. Glass Container
15	011700	Center Lid
16	013443	Round Vinyl Outer Lid
17	012860	32 oz. Stainless Steel Container
18	009762	Gasket
19	015055	Container Adapter
20	003559	Drive Coupling
21	003498	Jar Pad (4 required)
22	018996	Jar Holder
23	018596	Housing Seal
24	003578	Sems (4 required)
25	003538	Washer (4 required)
26	017290	Plated Motor Bracket
27	025666	Motor Spacer Plate <i>(on units after 5/1/2002)</i>
28	025663 003513	Half Baffle (2 required <i>on units after 6/13/2002</i>) Baffle
29	029321	Motor <i>(changed after 10/13/2000)</i>
30	010416	Base
31	005240	Screw (4 required)

Catalog	Model	
7011HB	HGB2WTS3	
7011HG	HGB2WTG4	31BL41
7011HS	HGB2WTS3	

(on units after 9/15/2006)

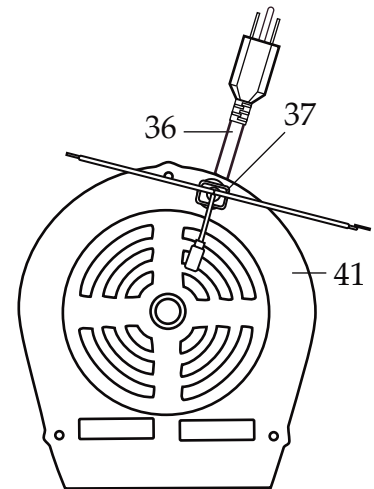
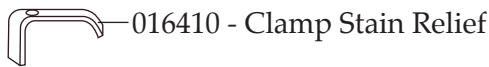
Waring Factory Service Center
314 Ella T. Grasso Ave.
Torrington, CT 06790
Tele. 1-800-269-6640

COMMERICAL
Fax 860-496-9017
www.waringcommercialproducts.com

Illustration #	Part #	Description
32	016043	Switch
33	003580	Spacer (2 required)
34	007783	Screw (2 required)
35	013731	Cable Tie
36	501162	Cord Set
37	013680	Strain Relief
38	009051	Wire Nut
39	002943	Ground Washer (on units after 6/13/2002)
40	013659	Ground Screw (on units after 6/13/2002) (before then ground was rivited to bottom plate)
41	025667 502761	Bottom Plate-ONLY (changed after 6/13/2002) Bottom Plate Assembly (with cord set and strain relief)
42	503376 002891	Foot & Screw Assembly (3 required on units after 6/28/2010) Foot (3 required)
43	003515	Square Drive Stud
44	003507	Washer
45	003514	Slinger
46	003558	Rubber Coupling

Parts No Longer Used

(on units before 8/12/2002)



502761
Bottom Plate Assembly
 (changed after 6/13/2002)

