

# **VULCAN**

## **CATALOG OF REPLACEMENT PARTS**

### **MODEL VSX9000 ELECTRIC COUNTERTOP CONVECTION STEAMER**

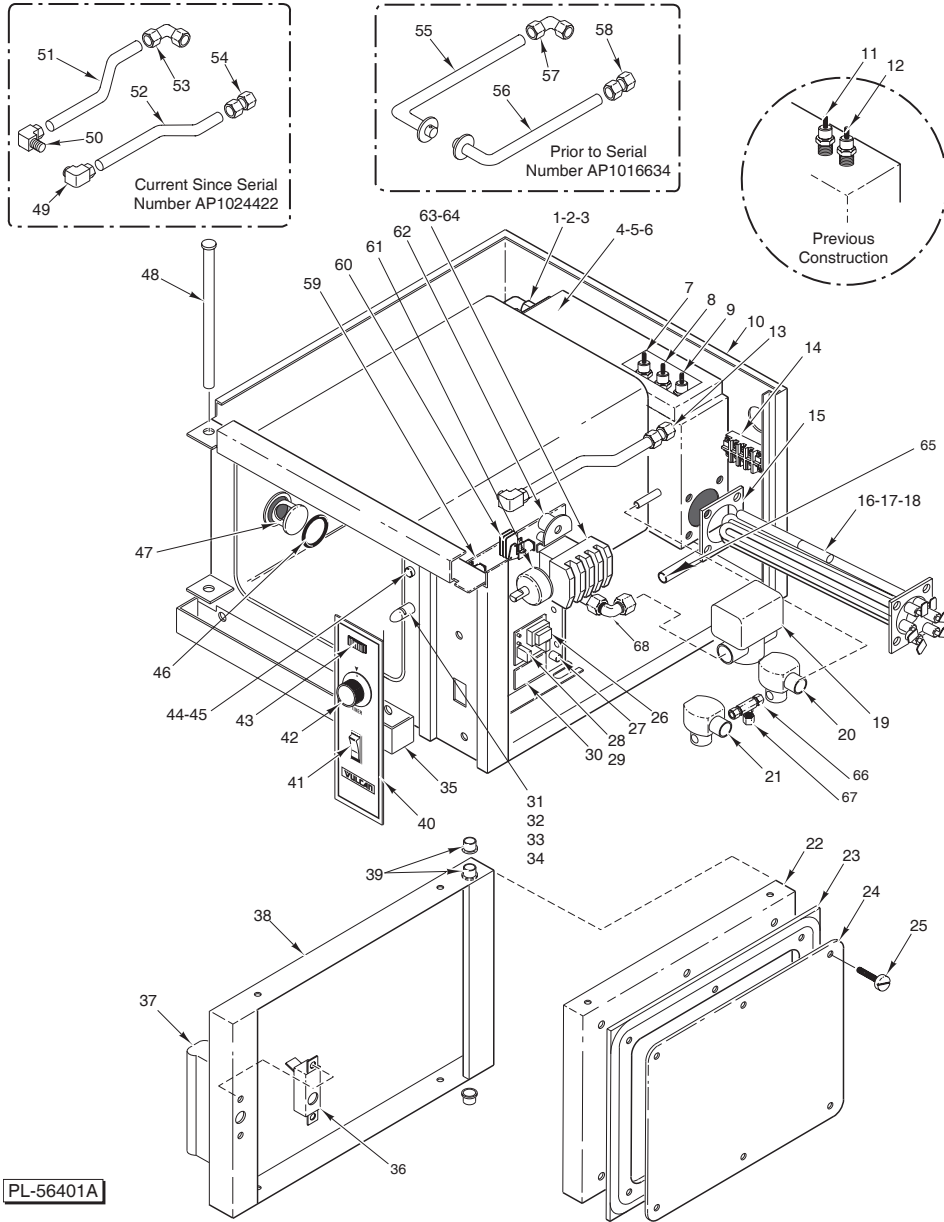
**MODEL**

**ML-52209**



**For additional information on Vulcan-Hart Company or to locate an authorized parts and service provider in your area, visit our website at [www.vulcanhart.com](http://www.vulcanhart.com)**

**MODEL VSX9000 ELECTRIC COUNTERTOP CONVECTION STEAMER REPLACEMENT PARTS**



**VSX9000 ELECTRIC COUNTERTOP CONVECTION STEAMER**

ILLUS.	PART NO.	NAME OF PART	AMT.
1	00-850012	Connector – LH .....	1
2	00-853927	Elbow – Tube Fitting 1/2 x 1/4 MPT .....	1
3	00-853973	Tube – LH Steam Jet .....	1
4	00-843809	Gasket – Tank .....	1
5	00-850484	Cover – Tank .....	1
6	00-854312	Tank – Steam Generator .....	1
7	00-850482	Probe – Low Level Cut-Off .....	1
8	00-850483	Probe – Low Level .....	1
9	00-844156	Probe – High Level .....	1
10	00-855731	LH Side – Back Panel .....	1
11	00-844157	Probe – Low Level .....	1
12	00-844156	Probe – High Level .....	1
13	00-850011	Connector – Union .....	1

**VSX9000 ELECTRIC COUNTERTOP  
CONVECTION STEAMER (Cont.)**

ILLUS. PL-56401A	PART NO.	NAME OF PART	AMT.
14	00-840511	Terminal Block Assy. ....	1
15	00-836926	Gasket – Element .....	1
16	00-836927	Element Assy. (208 V., 7.5 kW) .....	1
17	00-836928	Element Assy. (240 V., 7.5 kW) .....	1
18	00-836929	Element Assy. (287 V., 7.5 kW) .....	1
19	00-843804	Solenoid – Blowdown .....	1
20	00-853340	Valve – Solenoid .....	1
21	00-853340	Valve – Solenoid .....	1
22	00-844195	Panel – Door .....	1
23	00-844196	Gasket – Door .....	1
24	00-851224	Plate – Gasket .....	1
25	00-844453	Screw 10-32 x 1/2 Dimple Hd. ....	6
26	00-850429-00001	Thermostat – High Limit .....	1
27	00-881973	Thermostat .....	1
28	00-843818	Control – Level (2 Probe, Mechanical) .....	1
29	00-850481	Control – Level (3 Probe, Solid State) .....	1
30	00-844391	Transformer (208/240 V.) .....	1
31	00-840496	Striker .....	1
32	WS-030-38	Washer 1/2 (SST) .....	1
33	WL-006-36	Lockwasher 1/2 (SST) .....	1
34	NS-015-16	Nut 1/2-20 (SST) Hex .....	1
35	00-844261	Trough .....	1
36	00-844194	Latch Assy. ....	1
37	00-844193	Handle – Door .....	1
38	00-844192	Panel – Door .....	1
39	00-840479	Bushing – Bronze .....	4
40	00-844260	Control Panel Overlay .....	1
41	00-836920	Switch – On/Off .....	1
42	00-881995	Knob .....	1
43	00-881972	Light – Pilot .....	1
44	00-842049	Switch – Door .....	1
45	00-844197	Actuator – Door .....	1
46	00-844201	O-Ring .....	1
47	00-850041	Descaling Assy. ....	1
48	00-850618	Rod – Hinge .....	1
49	00-853927	Elbow – Tube Fitting 1/2 x 1/4 MPT .....	1
50	00-853927	Elbow – Tube Fitting 1/2 x 1/4 MPT .....	1
51	00-853973	Tube – LH Steam Jet .....	1
52	00-853972	Tube – RH Steam Jet .....	1
53	00-850012	Connector – LH .....	1
54	00-850011	Connector – Union .....	1
55	00-850004	Tube – LH Steam .....	1
56	00-850001	Tube – Steam RH .....	1
57	00-850012	Connector – LH .....	1
58	00-850011	Connector – Union .....	1
59	00-843812	Relay – Single .....	1
60	00-843813	Relay – Double .....	1
61	00-411690-00002	Timer .....	1
62	00-411499-00003	Buzzer .....	1
63	00-844329	Contact (208/240 V.) .....	1
64	00-881975	Contact (480 V.) .....	1
65	00-850014	Connector Fitting .....	1
66	00-850008	Water Fill Solenoid Connector .....	1
67	00-850009	Tee .....	1
68	00-850010	Brass Elbow .....	1
	00-841917	Top (SST) .....	1
	00-840499	Rack – Pan .....	1
	00-844191	Door Assy. (Incls. Items 22, 23, 24, & 37 thru 40) .....	1
	00-881978	Transformer (480 V.) .....	1
	00-853974	Fuse (2 Amp.) (250 V.) .....	2
	00-853957	Holder – Fuse .....	2

\*Note: Serial Numbers AP1016634 thru AP1024421 have 3/8 Dia. Steam Tubes. For Service Use Current 1/2 Dia. Steam Tubes and Compression Fittings.

**VSX9000 ELECTRIC COUNTERTOP  
CONVECTION STEAMER (Cont.)**

ILLUS. PL-56401A	PART NO.	NAME OF PART	AMT.
	00-844401	Compression Fitting for Pre-Heat Thermostat .....	1
	00-851759	Rack Hanger .....	1
	00-844399	Panel – RH Side .....	1
	00-845582	Decal – Control Panel (With Delime Feature) .....	1
	00-836997	Contactora – 3 Pole (50-amp 208/240V) .....	1
	00-840494	Compartment Drain Screen .....	1
	00-843855	Perforated Trough Screen .....	1
	00-851761	Leveler Leg .....	1
	00-851944	Leg – 4" Countertop .....	1
	00-855456	Power Switch (With Delime) .....	1
	00-854471	Pressure Switch – 5 PSI .....	1
	00-853270	Contactora – 4 Pole (Used With Pressure Switch 00-853270) .....	1

**RECOMMENDED SPARE PARTS**

PART NO.	NAME OF PART	AMT.
00-836920	Switch Power .....	2
00-842049	Door Switch .....	2
00-843812	Relay 240V (Single) .....	2
00-843813	Relay 240V (Double) .....	2
00-850482	LLCO Probe .....	1
00-850483	LL Probe .....	1
00-844156	High Level Probe .....	1
00-843818	Level Control (Prior to September 1997) (2 Probe) .....	2
00-843812	Relay .....	2
00-843926	Element Gasket .....	2
00-881973	Thermostat .....	2
00-850429-00001	Safety Thermostat .....	2
00-836927	Element 208V 7.5kW .....	2
00-836928	Element 240V 7.5kW .....	2
00-844329	Contactora (4 Pole) .....	2
00-843804	Blowdown Solenoid .....	1
00-850481	Level Control (After September 1997) (3 Probe) .....	2
00-411690-00002	Timer .....	2
00-854471	Pressure Switch (Built After October 2001) .....	2
00-411499-00003	Buzzer .....	1
00-844196	Door Gasket .....	1
00-851823	Fuse, 1-amp .....	2
00-853974	Fuse, 2-amp .....	2