



# CATALOG OF REPLACEMENT PARTS

## GAS CONVECTION STEAMERS

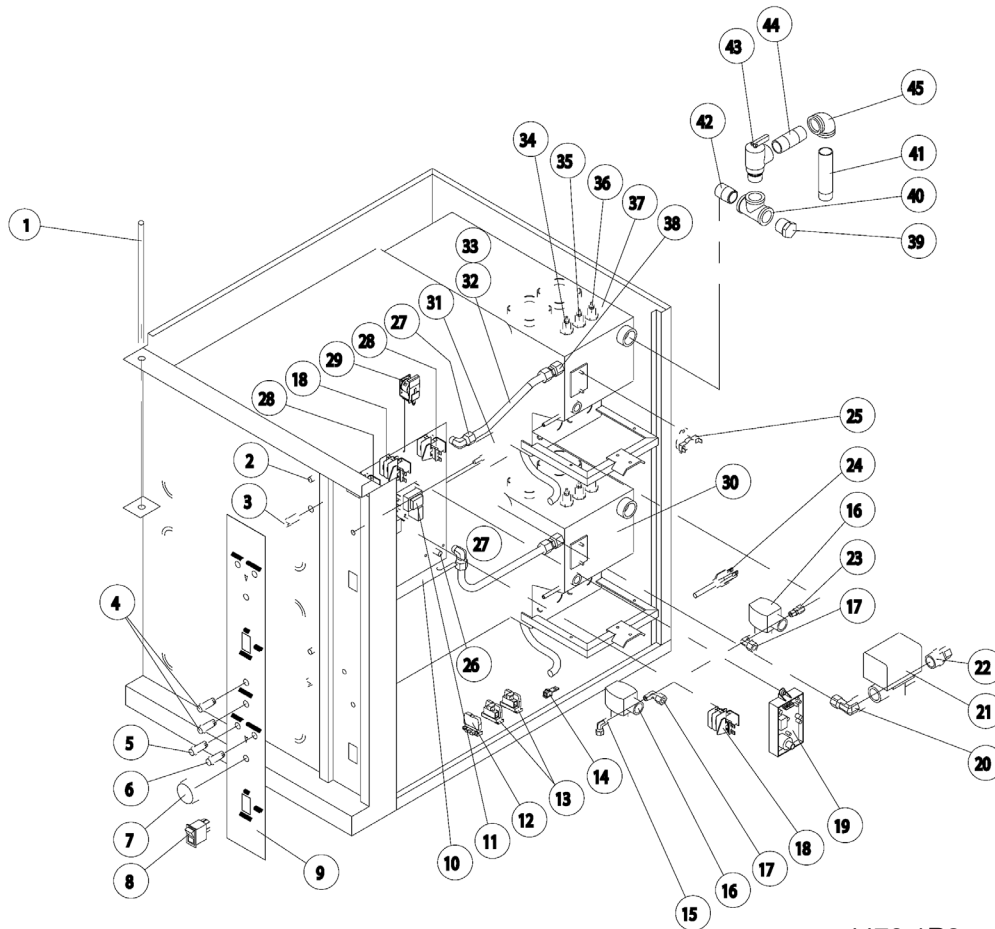
### MODELS

VSX5G	ML-114946
VSX5GC	ML-114947
VSX7GC	ML-114948
VSX10GC	ML-114949



For additional information on Vulcan-Hart or to locate an authorized parts and service provider in your area, visit our website at [www.vulcanhart.com](http://www.vulcanhart.com)

**GAS CONVECTION STEAMERS REPLACEMENT PARTS**



4476-1R3

ILLUS. PL- 4476-1R3	PART NO.	NAME OF PART	AMOUNT		
			VSX5G	VSX7G	VSX10G
1	00-851004	Hinge Rod .....	1		
	00-851815	Hinge Rod .....		1	
	00-851816	Hinge Rod .....			1
2	00-842049	Door Switch .....	1	1	2
	00-850077	Switch Actuator .....	1	2	2
3	00-840496	Striker .....	1	2	2
	00-844533	Washer .....	1	2	2
	00-850075	Lock Washer .....	1	2	2
	00-850076	Hex Nut .....	1	2	2
	00-851410	Washer .....	1	2	2
4	00-840507	Pilot Light - Green (120V) .....	1	2	2
5	00-851072	Pilot Light - Green (28V) .....	1	2	2
6	00-844367-00055	Pilot Light - Red .....	1	2	2
7	00-843781-00003	Dial - 60 Minutes .....	1	2	2
	00-844032-00001	Dial - 120 Minutes .....	1	2	2
8	00-855456	Power Switch .....	1	2	2
9	00-855139	Control Decal .....	1		
	00-855140	Control Decal .....		1	
	00-855141	Control Decal .....			1
10	00-851050	Componet Mounting Board .....	1	2	2
11	00-852984	Level Control 10K OHM .....	1	2	2
12	00-843969	End Section .....	1	1	1
13	00-840511	Terminal Block .....	2	2	2
14	00-844367-00008	Ground Lug .....	1	1	1
15	00-850010	Elbow 1/4 C x 1/8 MPT .....	1	2	2

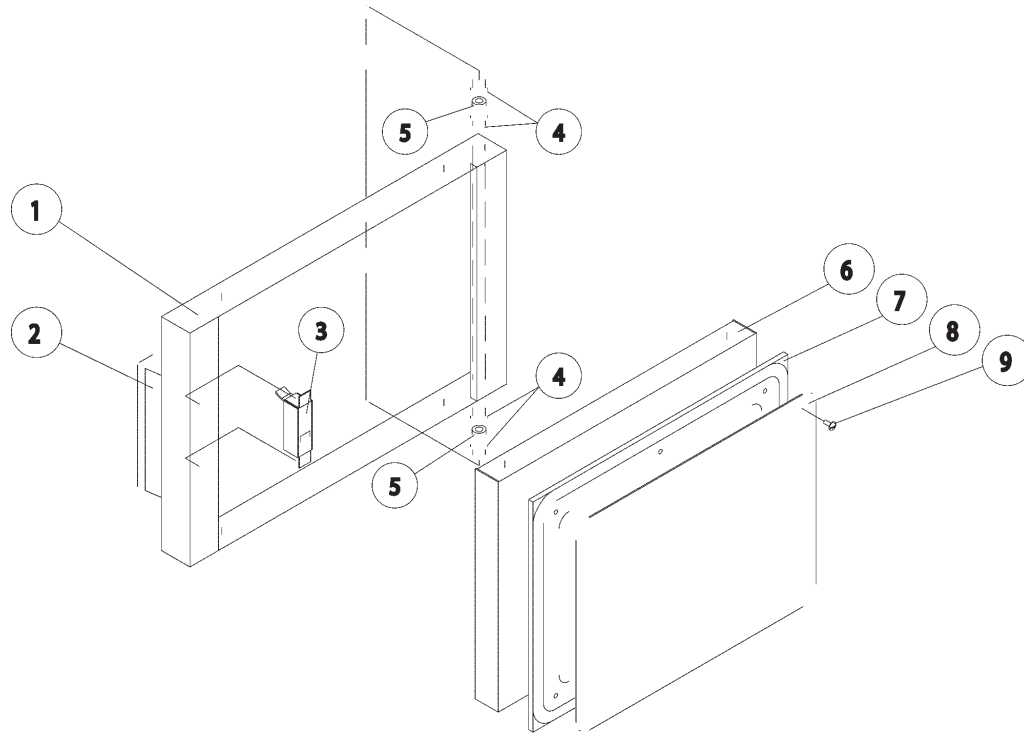
**GAS CONVECTION STEAMERS REPLACEMENT PARTS**

ILLUS. PL- 4476-1R3	PART NO.	NAME OF PART	AMOUNT		
			VSX5G	VSX7G	VSX10G
16	00-853339	Solenoid Valve .....	2	4	4
17	00-851563	Elbow 3/8 C c 1/8 MPT .....	2	4	4
18	00-851071	Relay 120 V .....	1	2	2
19	00-853486	Ignition Module, Direct Spark .....	1	2	2
	00-851540	Ignition Module, Glow Coil .....	1	2	2
20	00-850013	Elbow 1/2 C x 3/4 MPT .....	1	2	2
21	00-836931	Blowdown Solenoid .....	1	2	2
22	00-854333	Connector 5/8 C x 3/4 MPT .....	1	2	2
23	FP-078-49	Connector 1/4 C x 1/8 MPT .....	1	2	2
24	00-851389	Power Cord Set 115V .....	1	1	1
25	00-853105	Hi Limit Sensor .....	1	2	2
26	00-881973	Thermostat Operating .....	1	2	2
27	00-853927	Elbow 1/2 C x 1/4 MPT .....	2	4	4
28	00-843947	Relay 120V .....	2	4	4
29	00-851062	Buzzer .....	1	2	2
30	00-855098	Generator Tank .....		1	1
31	00-411690-00001	Timer, 60 Minutes .....	1	2	2
	00-411690-00007	Timer, 120 Minutes .....	1	2	2
32	00-853925	Right Hand Steam Jet Tube .....	1		2
	00-853969	Right Hand Steam Jet Tube Bottom .....		1	
	00-853968	Steam Jet Tube - Right Hand & Left Hand Top .....		2	
33	00-853926	Left Hand Steam Test Tube .....	1		2
	00-854059	Left Hand Steam Test Tube Bottom .....		1	
34	00-851068	Probe - Low Level Cut Off .....	1	2	2
35	00-851067	Probe - Low Level .....	1	2	2
36	00-851066	Probe - High Level .....	1	2	2
37	00-855097	Generator Tank - Top .....	1	1	1
38	00-850011	Union Connector 1/2 C .....	1	2	2
39	00-855142	Plug 3/4 .....	1	2	2
40	00-855143	Tee 3/4 .....	1	2	2
41	00-855144	Down Tube .....	1	2	2
42	00-855145	Close Nipple 3/4 .....	1	2	2
43	00-854470	Relief Valve 5 psi .....	1	2	2
44	00-855146	Nipple 3/4 x 2 1/2 .....	1	2	2
45	00-855147	Elbow 3/4 .....	1	2	2
*46	00-851254	Steam Diverter .....	2	4	4
*47	00-844401	Thermostat Fitting 3/8 C x 3/8 MPT .....	1	2	2
*48	00-850015	Water Connection 3/8 C .....	2	2	2
*49	00-850012	Elbow - 1/2 C Tank Left Hand .....	1	2	2
*50	00-840499	Pan Rack - 3 Pan .....		2	
	00-843859	Pan Rack - 4 Pan .....		2	
	00-843860	Pan Rack - 5 Pan .....	2		4
*51	00-840495	Perforated Door Trough .....	1	1	1
*52	00-851073	Right Hand Side Panel .....		1	
	00-851074	Right Hand Side Panel .....		1	
	00-851075	Right Hand Side Panel .....			1
*53	00-855148	Left Hand Side Panel .....	1		
	00-855149	Left Hand Side Panel .....		1	
	00-855150	Left Hand Side Panel .....			1
*54	00-851805	Top Cover .....	1	1	1
*55	00-855151	Flue Assembly .....		1	1
	00-855152	Flue Assembly .....	1		
*56	00-853966	Right Hand Side Riser .....	1	1	1
*57	00-853965	Left Hand Side Riser .....	1	1	1
*58	00-853964	Front Side Riser .....	1	1	1
*59	00-853963	Rear Side Riser .....	1		
*60	00-853962	Rear Side Riser .....		1	1
*61	00-853957	Fuse Holder .....	1	2	2
*62	00-853974	Fuse 2A 250 V (120 V only) .....	1	2	2
	00-851929	Fuse 1A 250 V (220 V only) .....	1	2	2
*63	00-855153	Wire Harness .....	1	2	2
*64	00-844367-00056	Transformer, Glow Coil .....	1	2	2
*65	00-854051	Wire Harness (DSI Ignition Board to Relay) .....	1	2	2
	00-844367-00060	Wire Harness (Glow Coil Ignition Module) .....	1	2	2

\* NOT SHOWN

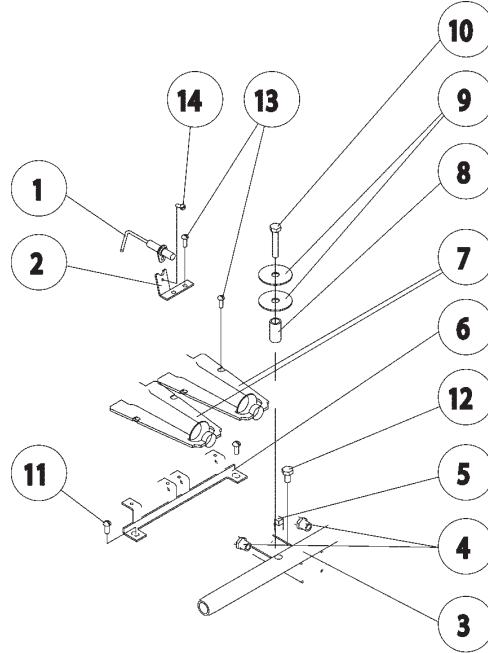
\*\* SELECTAS REQUIRED

**DOOR ASSEMBLY**



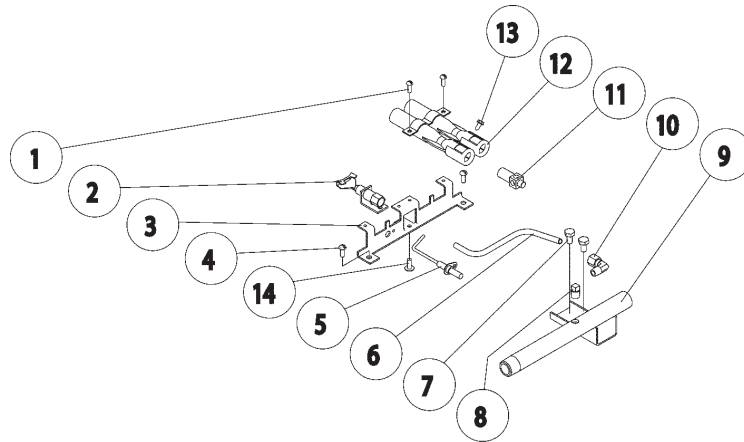
ILLUS. PL-4476-2R1	PART NO.	NAME OF PART	AMOUNT		
			VSX5G	VSX7G	VSX10G
1	00-845586	Door Frame .....	1		2
	00-845585	Door Frame, Bottom .....		1	
	00-844192	Door Frame, Top .....	1		
2	00-844193	Door Handle Assembly .....	1	2	2
	00-850193	Door Handle Decal .....	1	2	2
3	00-844194	Latch Assembly .....	1	2	2
4	00-840479	Bushing .....	4	8	8
5	00-850447	Spacer .....	2	4	4
6	00-850658	Door Panel .....	1		2
	00-845587	Door Panel, Bottom .....		1	
	00-844195	Door Panel, Top .....		1	
7	00-844385	Door Gasket, 5 Pan .....	1		2
	00-844384	Door Gasket, Bottom 4 Pan .....		1	
	00-844196	Door Gasket, Top 3 Pan .....		1	
8	00-851418	Gasket Plate, 5 Pan .....	1		2
	00-851417	Gasket Plate, Bottom 4 Pan .....		1	
	00-851224	Gasket Plate, Top 3 Pan .....		1	
9	00-844453	Gasket Panel Screws, 10 - 32 x 1/2 SST .....	8	14	16
	00-845584	Door Assembly, 5 Pan .....	1		2
10	00-845583	Door Assembly, Bottom 4 Pan .....		1	
	00-844191	Door Assembly, Top 3 Pan .....		1	

**BURNER PARTS - NATURAL GAS ONLY, DIRECT SPARK  
NATURAL OR PROPANE, GLOW COIL**



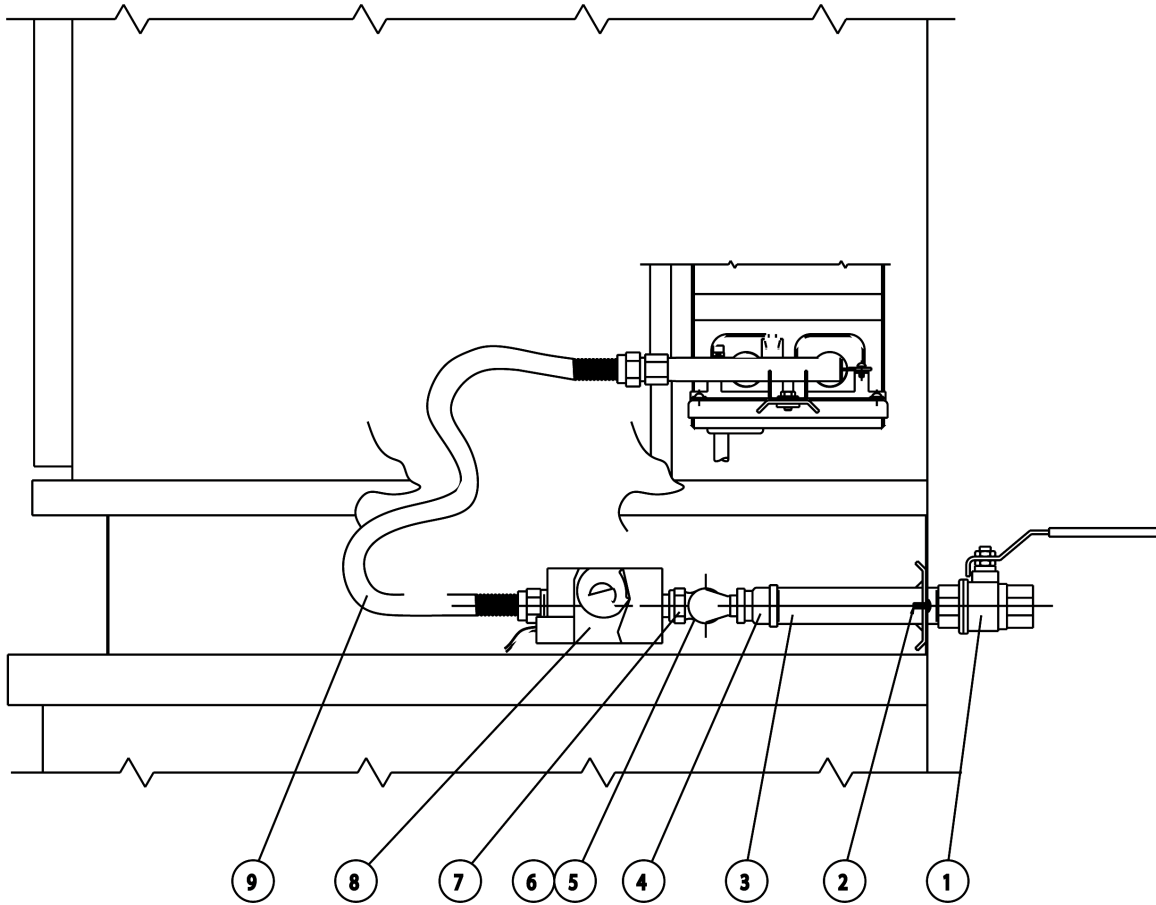
ILLUS.	PART NO.	NAME OF PART	AMOUNT		
			VSX5G	VSX7G	VSX10G
1	00-853487 00-844367-00066	Spark Electrode, Direct Spark .....	1	2	2
2	00-853970	Sensor Frame, Glow Coil .....	1	2	2
	00-851059	Spark Electrode Bracket .....	1	2	2
3	00-851059	Sensor Bracket, Glow Coil .....	1	2	2
3	00-855154	Gas Manifold Assembly .....	1	2	2
4	00-851053	Orifice #43 .....	2	4	4
5	00-854334	Plug 1/8 NPT .....	1	2	2
6	00-851057	Burner Mounting Bracket .....	1	2	2
7	00-851058	Burner .....	2	4	4
8	00-853967	Burner Support .....	1	2	2
9	00-854335	Finer Washer 1/4 .....	2	4	4
10	00-854336	Hex Cap Screw 1/4 - 20 x 1 1/2 .....	1	2	2
11	00-855155	Machine Screw 10 - 32 x 3/8 .....	2	4	4
12	00-855156	Machine Screw 1/4 - 20 x 1/4 .....	1	2	2
	00-855157	Lock Washer 1/4 .....	1	2	2
13	00-855158	Machine Screw 8 - 32 x 3/8 .....	4	8	8
14	00-855159	Machine Screw 6 - 32 x 3/8 .....	1	2	2
*15	00-851060	Coil, Glow .....	1	2	2

**BURNER PARTS - PROPANE GAS ONLY**



ILLUS.	PART NO.	NAME OF PART	AMOUNT		
			VSX5G	VSX7G	VSX10G
1	00-855160	Hex Screw 10 - 32 x 1/4 .....	4	8	8
2	00-854847	Pilot Burner .....	1	2	2
3	00-854848	Burner Mounting Bracket .....	1	2	2
4	00-855161	Machine Screw .....	2	4	4
5	00-854849	Spark Electrode .....	1	2	2
6	00-854848	Pilot Tube .....	1	2	2
7	00-855156	Machine Screw 1/4 - 20 x 1/2 .....	2	4	4
8	00-854334	Plug 1/8 NPT .....	1	2	2
9	00-854844	Gas Manifold Assembly .....	1	2	2
10	00-850010	Elbow 1/4 C X 1/8 MPT .....	1	2	2
11	00-854852	Orifice #63 .....	4	8	8
12	00-854846	Twin Burners .....	2	4	4
13	00-855162	Sheet Metal Screw .....	4	8	8
14	00-855163	Machine Screw .....	2	4	4

**VSX5G BURNER SYSTEM**

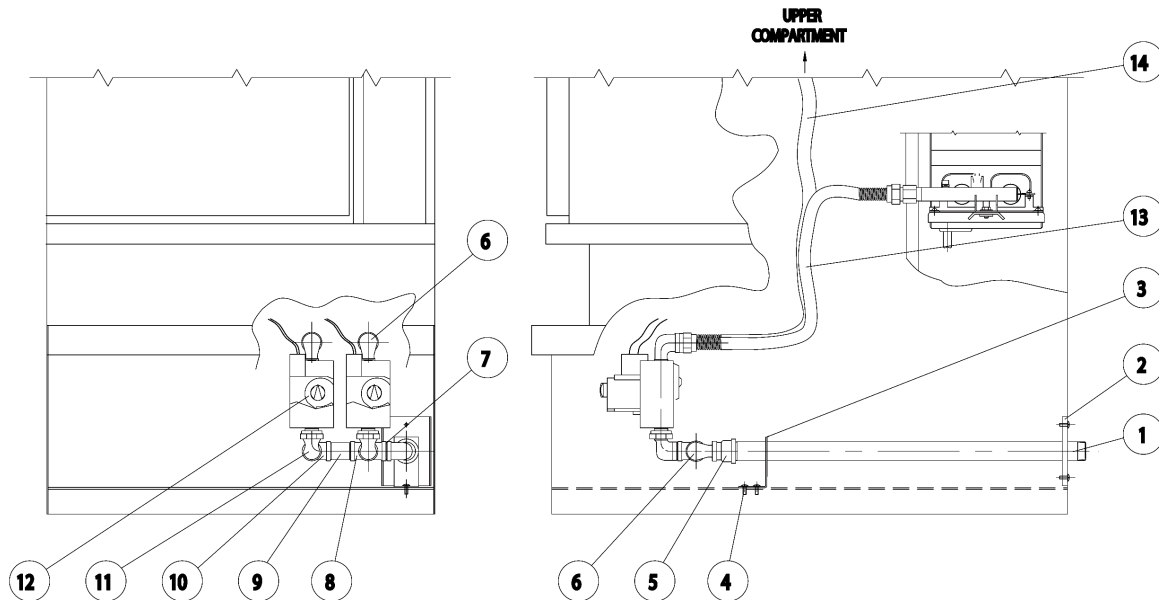


5196AR0

ILLUS.	PART NO.	NAME OF PART	AMOUNT
			<b>VSX5G</b>
1	00-840522	Ball Valve 3/4" .....	1
2	00-854337	Screw, #10 - 32 x 12 .....	2
3	00-854338	Gas Supply Pipe Assembly .....	1
4	00-851526	Reducing Coupling .....	1
5	00-854339	90 Degree Street Elbow .....	1
6	00-851782	Close Nipple 1/2" .....	1
7	00-842904	Union Elbow 1/2" .....	1
**8	00-853401-00001	Combination Gas Control - Natural .....	1
	00-853401-00002	Combination Gas Control - Propane .....	1
9	00-853976	Flex Tube, 1/2" x 18 .....	1

\*\* Select As Required

**VSX7G & VSX10G BURNER SYSTEM**

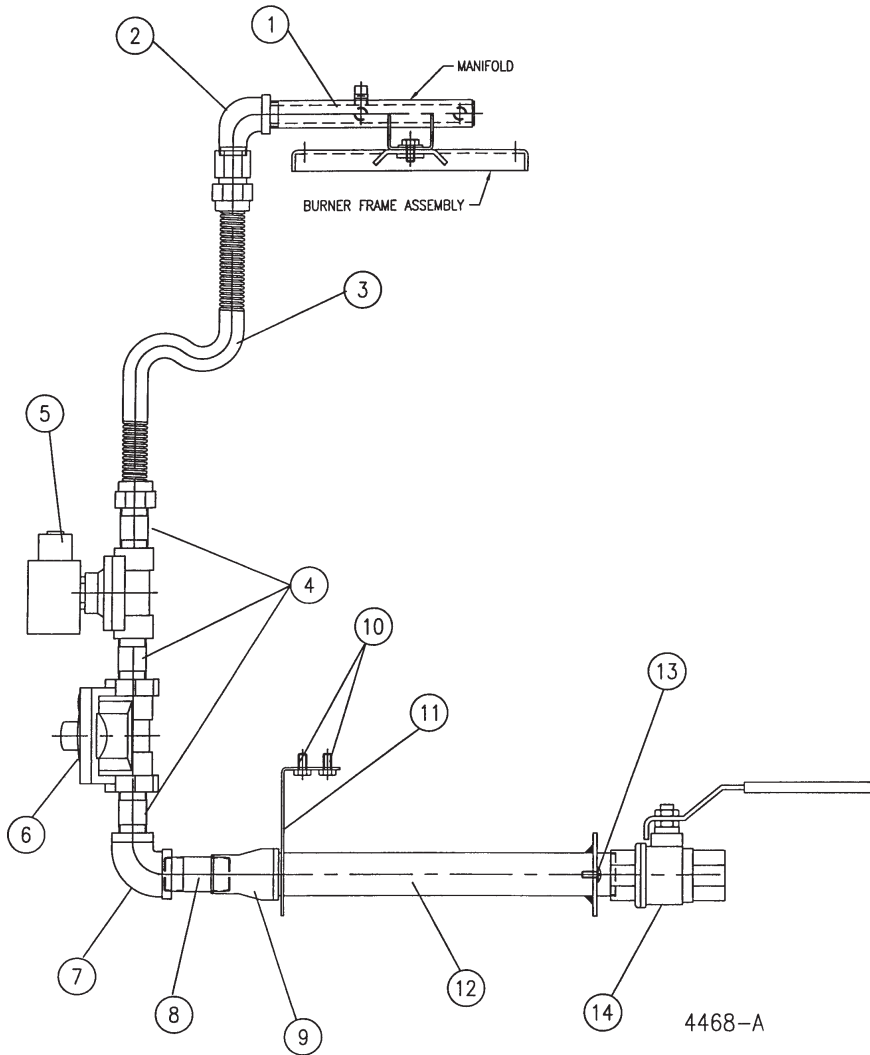


5194AR0

ILLUS.	PART NO.	NAME OF PART	AMOUNT	
			VSX7G	VSX10G
1	00-854340	Gas Supply Pipe Assembly .....	1	1
2	00-854337	Screw, #10 - 32 x 2 .....	2	2
3	00-855164	Bracket .....	1	
	00-854342	Bracket, VSX7G .....	1	
4	00-854343	Screw, 1/4" - 20 x 2 .....	2	2
5	00-851526	Reducing Coupling 3/4" x 1/2" .....	1	1
6	00-854339	90 Degree Street Elbow, 1/2" .....	3	3
7	00-851782	Close Nipple, 1/2" .....	3	3
8	00-854344	Tee, 1/2" x 1/2" x 1/2" .....	1	1
9	00-854345	Nipple, 1/2 x 2 .....	1	1
10	00-854346	90 Degree Elbow, 1/2" .....	1	1
11	00-842904	Union Elbow, 1/2" .....	2	2
**12	00-853401-00001	Combination Gas Control - Natural .....	2	2
	00-853401-00002	Combination Gas Control - Propane .....	2	2
13	00-853484	Flex Tube, 1/2" x 36" .....	1	1
14	00-853485	Flex Tube, 1/2" x 48" .....	1	1

\*\* Select As Required

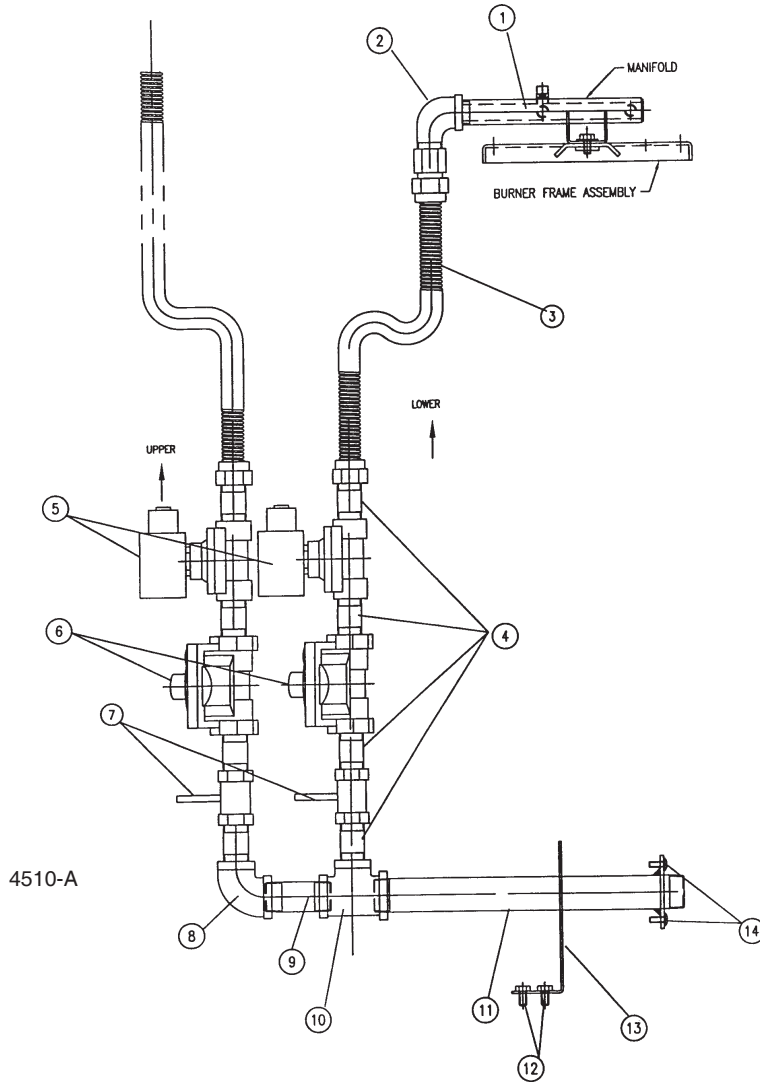
**VSX5G GLOW COIL IGNITION BURNER SYSTEM**



ILLUS.	PART NO.	NAME OF PART	AMOUNT
			<b>VSX5G</b>
1	00-851052	Manifold .....	1
2	00-854339	St. Elbow .....	1
3	00-850152	Gas Flex Hose .....	1
4	00-851782	Close Nipple 1/2 .....	3
5	00-844367-00049	Solenoid Valve .....	1
**6	00-844367-00047	Gas Pressure Regulator - Natural .....	1
	00-844367-00048	Gas Pressure Regulator - Propane .....	1
7	00-854346	Elbow 1/2 .....	1
8	00-854345	Nipple 1/2 x 2 .....	1
9	00-851526	Red Coupling 1/2 x 3/4 .....	1
10	00-854343	Screw 1/4-20 x 1/2 .....	2
11	00-855165	Bracket .....	1
12	00-855166	Supply Pipe Assembly .....	1
13	00-854337	Screw 10-32 x 1/2 .....	2
14	00-840522	Ball Valve 3/4" .....	1

\*\* Select As Required

**VSX7G & VSX10G GLOW COIL IGNITION BURNER SYSTEM**



ILLUS.	PART NO.	NAME OF PART	AMOUNT	
			VSX7G	VSX10G
1	851052	Manifold .....	2	2
2	854339	St. Elbow .....	2	2
3	850152	Gas Flex Hose .....	2	2
4	851782	Close Nipple 1/2 .....	8	8
5	844367-49	Solenoid Valve .....	2	2
*6	844367-47	Gas Pressure Regulator - Natural .....	2	2
	844367-48	Gas Pressure Regulator - Propane .....	2	2
7	844367-59	Gas Shut Off Valve 1/2 .....	2	2
8	854346	Elbow .....	1	1
9	854345	Nipple 1/2 x 2 .....	1	1
10	855167	Tee .....	1	1
11	855166	Supply Pipe Assembly .....	1	1
12	854343	Screw 1/4-20 x 1/2 .....	2	2
13	854342	Bracket .....	1	1
14	854337	Screw 10-32 x 1/2 .....	2	2

\*\* Select As Required

**RECOMMENDED SPARE PARTS  
VSX5, VSX7, VSX10 GAS UNITS  
STARTING WITH AP IN SERIAL NUMBER**

PART NO.	NAME OF PART	AMT.
00-853487	Natural Spark Electrode .....	2
00-854847	L.P. Pilot Assy. ....	2
00-853401-00001	Honeywell Nat. Vavle .....	2
00-853401-00002	Honeywell L.P. Valve .....	2
00-855456	Power Switch .....	2
00-842049	Door Switch .....	2
00-411690-00001	Timer 60 Minute .....	2
00-853486	Ignition Module Direct Spark .....	2
00-836931	Auto Blowdown Solenoid .....	2
00-853339	Compartment Solenoid Valve .....	2
00-843947	Relay .....	2
00-854470	Pop Off Valve 5 Lb. ....	2