



CATALOG OF REPLACEMENT PARTS

Electric Convection Oven

**GUSVCO-1-208
GUSVCO-1-240**



**For additional information on GUSTO or to locate an authorized parts
and service provider in your area.**

TABLE OF CONTENTS

- GUSVCO-1 Main Body Exploded view3
 - Exploded view of components.....3
 - Component’s part number listing.....4

- GUSVCO-1 Housing assembly.....5
 - Exploded view of components.....5
 - Component’s part number listing.....6

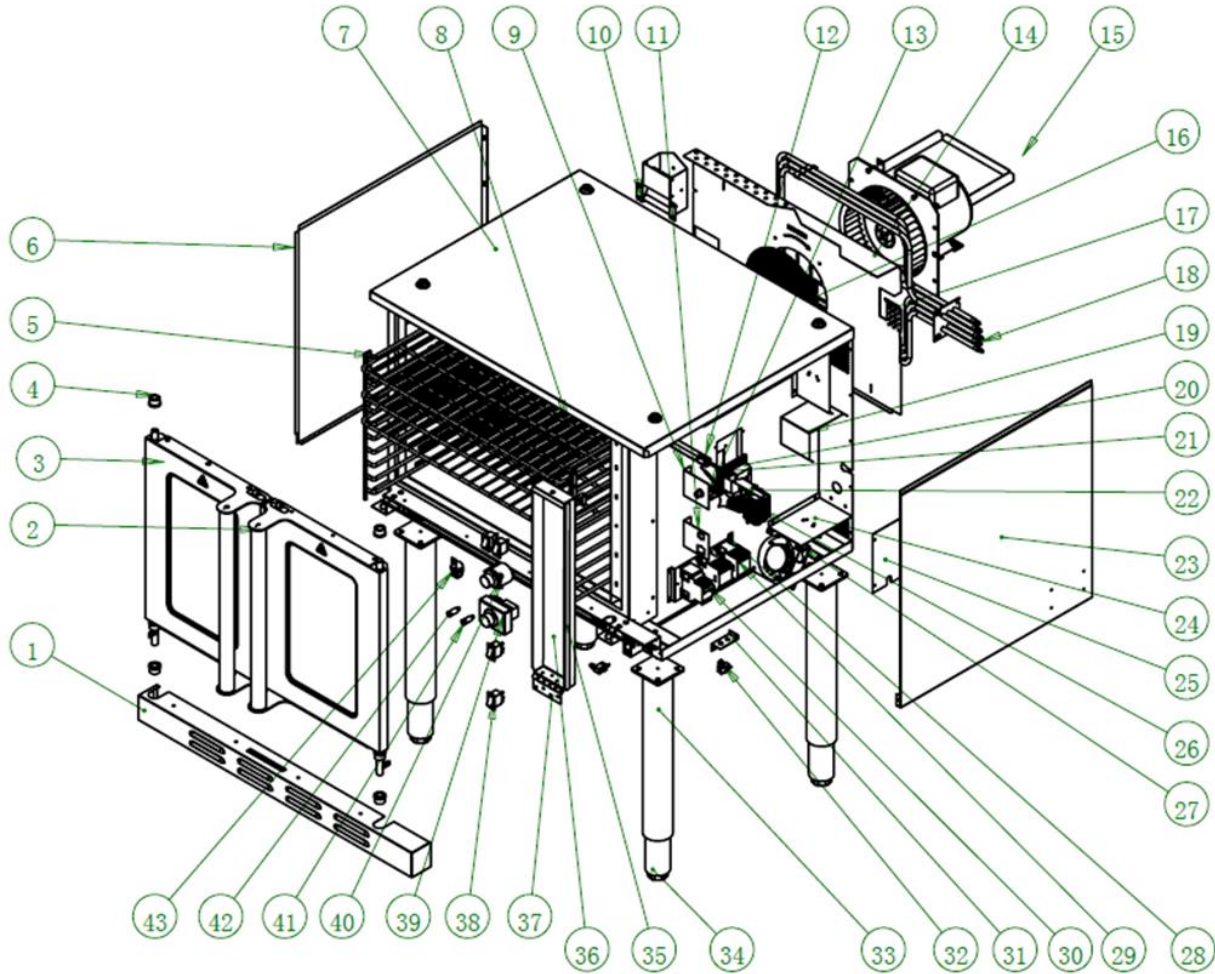
- GUSVCO-1 Motor assembly.....7
 - Exploded view of components.....7
 - Component’s part number listing.....8

- GUSVCO-1 Door assembly...9
 - Exploded view of components.....9
 - Component’s part number listing.....10

- GUSVCO-1 Control Panel assembly.....11
 - Exploded view of components.....11
 - Component’s part number listing.....12

- GUSVCO-1 Electronic Components.....13
 - Exploded view of components.....13
 - Component’s part number listing.....14

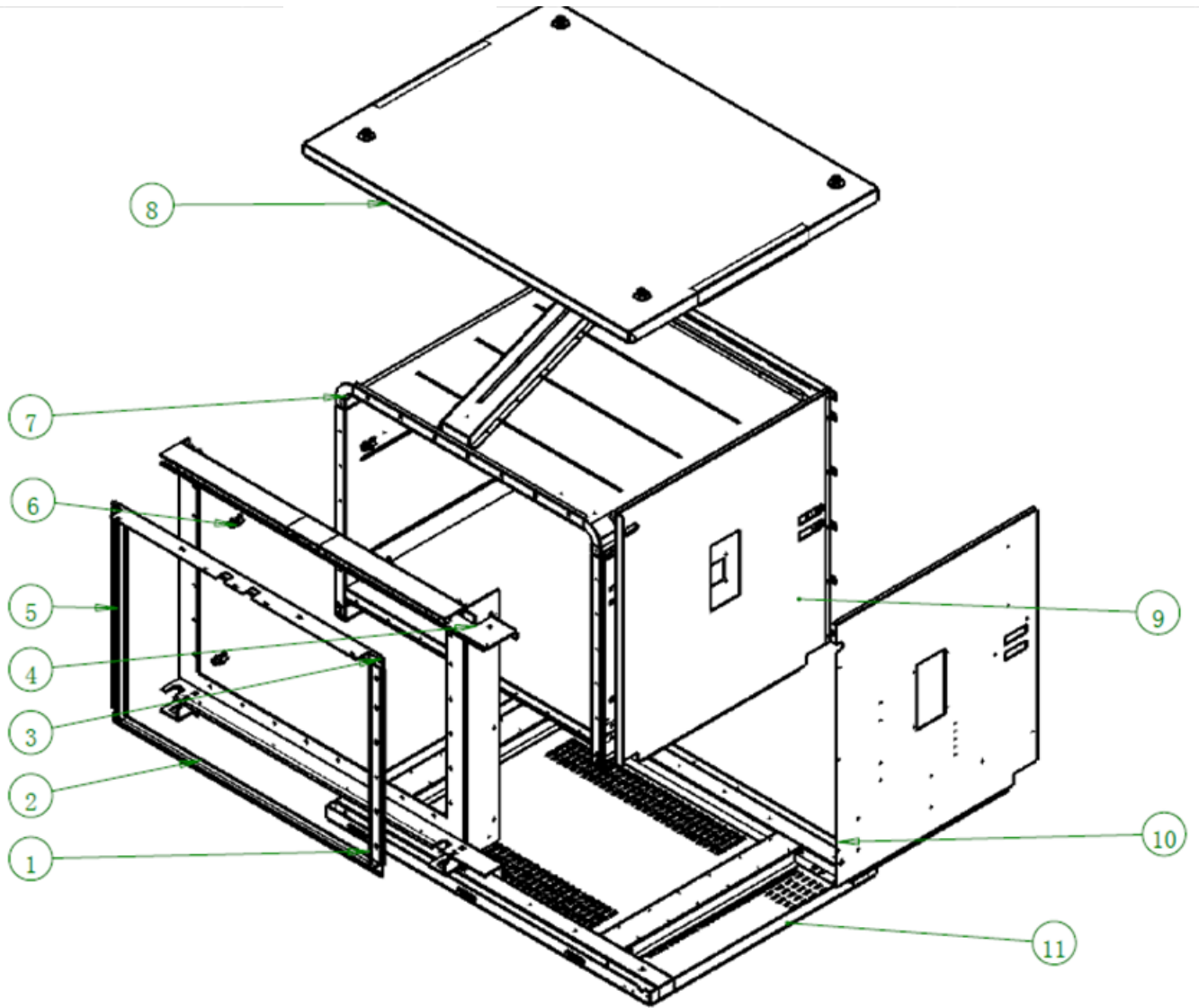
GUSVCO-1 Main Body Exploded View



GUSVCO-1 Main Body Part List

No.	Part Code	Part Name	QTY
1	20217046062	LOWER FRONT COVER PLATE	1
2	20117046015	DOOR ASSEMBLY (RIGHT)	1
3	20117046016	DOOR ASSEMBLY (LEFT)	1
4	302201928	COPPER BUSH	6
5	302110772	RACK HOLDER	2
6	20217046026	SIDE PANEL (LEFT)	1
7	20117046019	HOUSING ASSEMBLY	1
8	302110578	RACK	3
9	20265002082	Thermostat FIXED PLATE	1
10	20117046009	CHIMNEY	1
11	20265002081	CABLE CLIP FIXED PLATE	1
12	20217046053	FIXED PLATE (SENSOR)	1
13	301030198	EGO HIGH-LIMIT	1
14	20117046023	MOTOR INSTALLATIOIN ASSEMBLY	1
15	20217046061	Fan support plate	1
16	302110777	Protection net	1
17	314430029	FRONT PLATE OF CHAMBER	1
18	301041024	HEATING ELEMENT -240V	1
	301041056	HEATING ELEMENT -208V	1
19	20217046031	HEATING ELEMENT WATER BAFFLE	1
20	301130156	LAMP	1
21	302170069	THERMOSTAT PROBE	1
22	20217046052	Temperature limiting rod bracket	1
23	20217046027	SIDE PANEL (RIGHT)	1
24	20217046036	FAN FIXED PLATE	2
25	20265002032	COVER PLATE	1
26	301070188	Connecting terminal	3
27	301010246	FAN	1
28	20217046030	ELECTRIC COMPONENT FIXED PLATE	1
29	301090135	AC CONTACTOR	2
30	301030192	BREAKER	1
31	20217046064	FIXED PLATE (TRAVEL SWITCH)	1
32	301080021	Microswitch	3
33	302090152	Furnace foot tube	4
34	302090088	ADJUSTABLE FOOT	4
35	20117046006	CONTROL PANEL ASSEMBLY	1
36	303124342	Adhesive panel	1
37	302190015	DOOR HINGE	1
38	301080172	WATER-PROOF SWITCH	4
39	301030208	ELECTRONIC THERMOSTAT	1
40	301120028	TIMER	1
41	301130021	WORKING INDICATOR	1
42	301130023	POWER INDICATOR	1
43	301100002	BUZZER	1

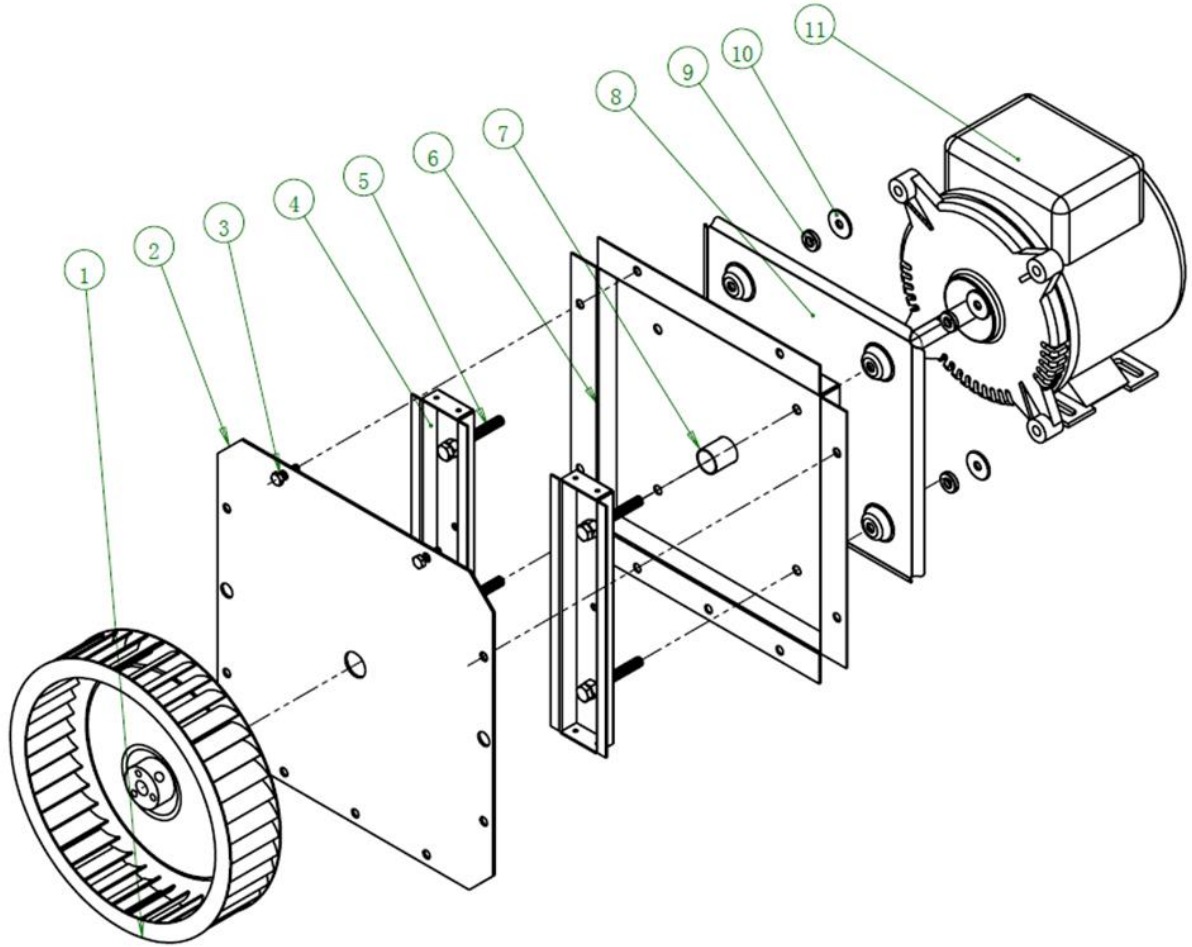
GUSVCO-1 Housing assembly



Housing assembly Part List

No.	Part Code	Part Name	QTY
1	314430019	STEEL ROD (RIGHT)	1
2	314430018	STEEL ROD (BOTTOM)	1
3	314430025	STEEL ROD (TOP)	1
4	20117046004	FRONT FRAME ASSEMBLY	1
5	314430020	STEEL ROD (LEFT)	1
6	20265002039	FIXER (RACK HOLDER)	8
7	314430030	CHAMBER ASSEMBLY	1
8	20117046005	TOP COVER ASSEMBLY	1
9	20217046037	RIGHT COTTON SEALING PLATE	1
10	20217046016	COTTON SEALING PLATE	1
11	20117046002	BASE ASSEMBLY	1

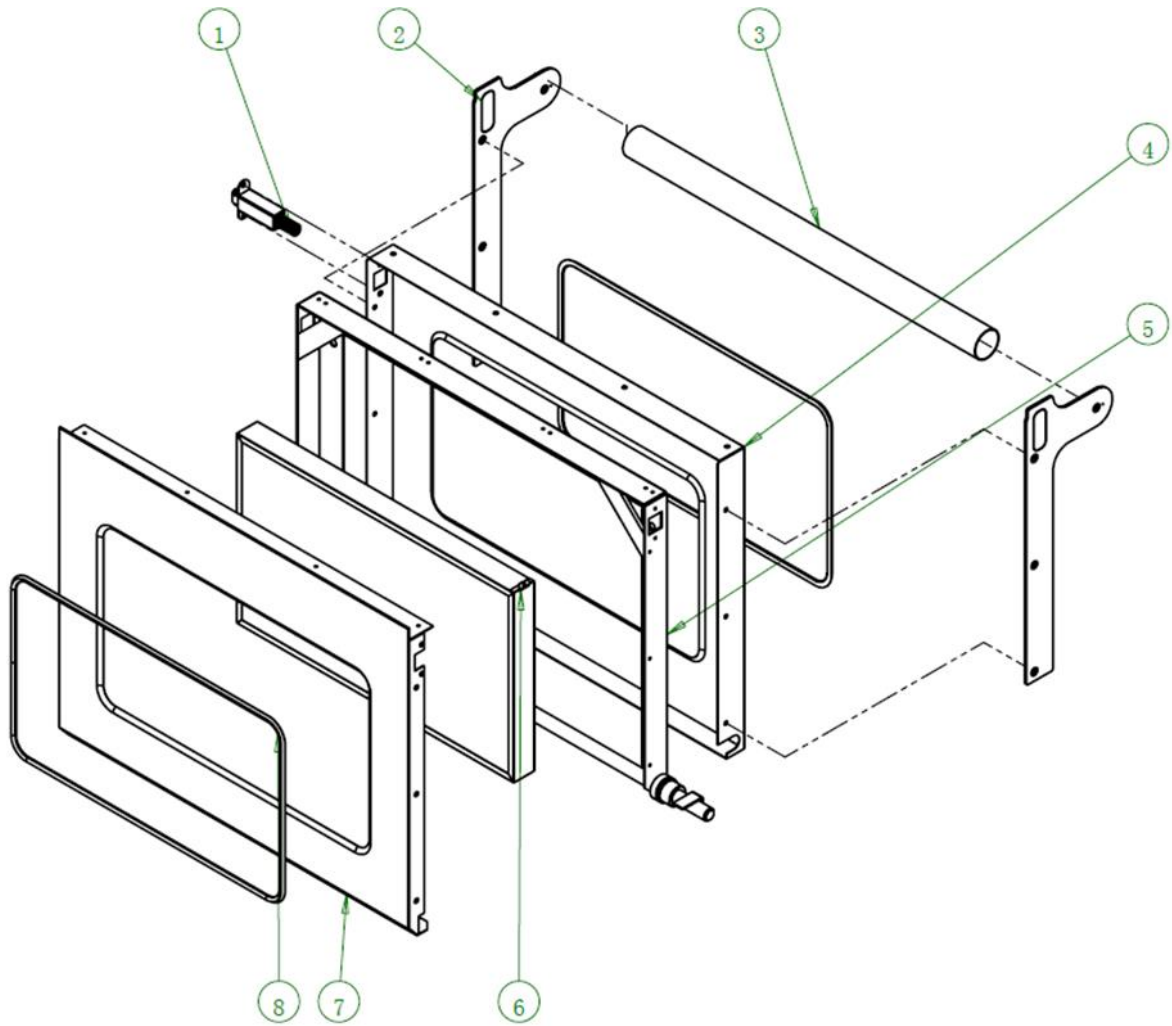
GUSVCO-1 Motor assembly



GUSVCO-1 Motor assembly Part List

No.	Part Code	Part Name	QTY
1	301010263	Wheel - Blower	1
2	20265002066	Motor heat baffle plate 1	1
3	302212429	M6*20 screw	2
4	20217046060	Reinforcing plate	2
5	302212455	M8*50 screw	4
6	20217046059	Motor heat baffle plate 2	1
7	315020132	Motor cotton bushing	1
8	20265002102	Motor outer heat shield	1
9	302202346	Contour column	4
10	302201881	Insulation gasket	4
11	301010267B	Motor HP0.5/0.14 208-240V/60Hz	1

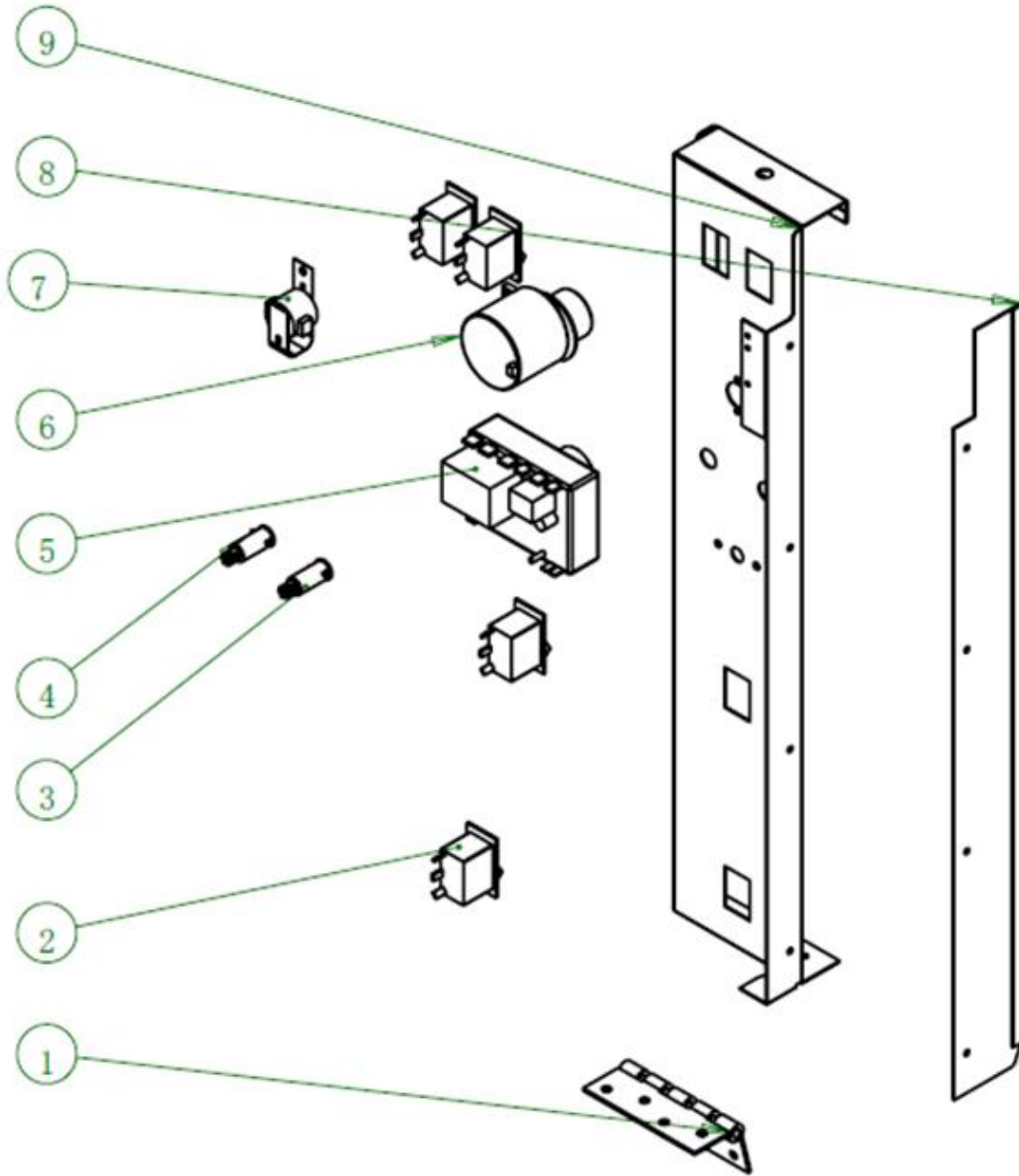
GUSVCO-1 Door assembly



GUSVCO-1 Door assembly Part List

No.	Part Code	Part Name	QTY
1	20165002016	Door catch Assy. (ball style)	1
2	20265002092 (Left) 20265002093 (Right)	Left door handle fixing plate (straight)	2
3	314430023	door handle (round tube)	1
4	20217046047	exterior plate of right door	1
5	20165002012	right door frame assembly	1
6	20165002013	door glass frame assembly	1
7	20265002053	interior plate of right door	1
8	302201976	sealing gasket of door glass frame	2

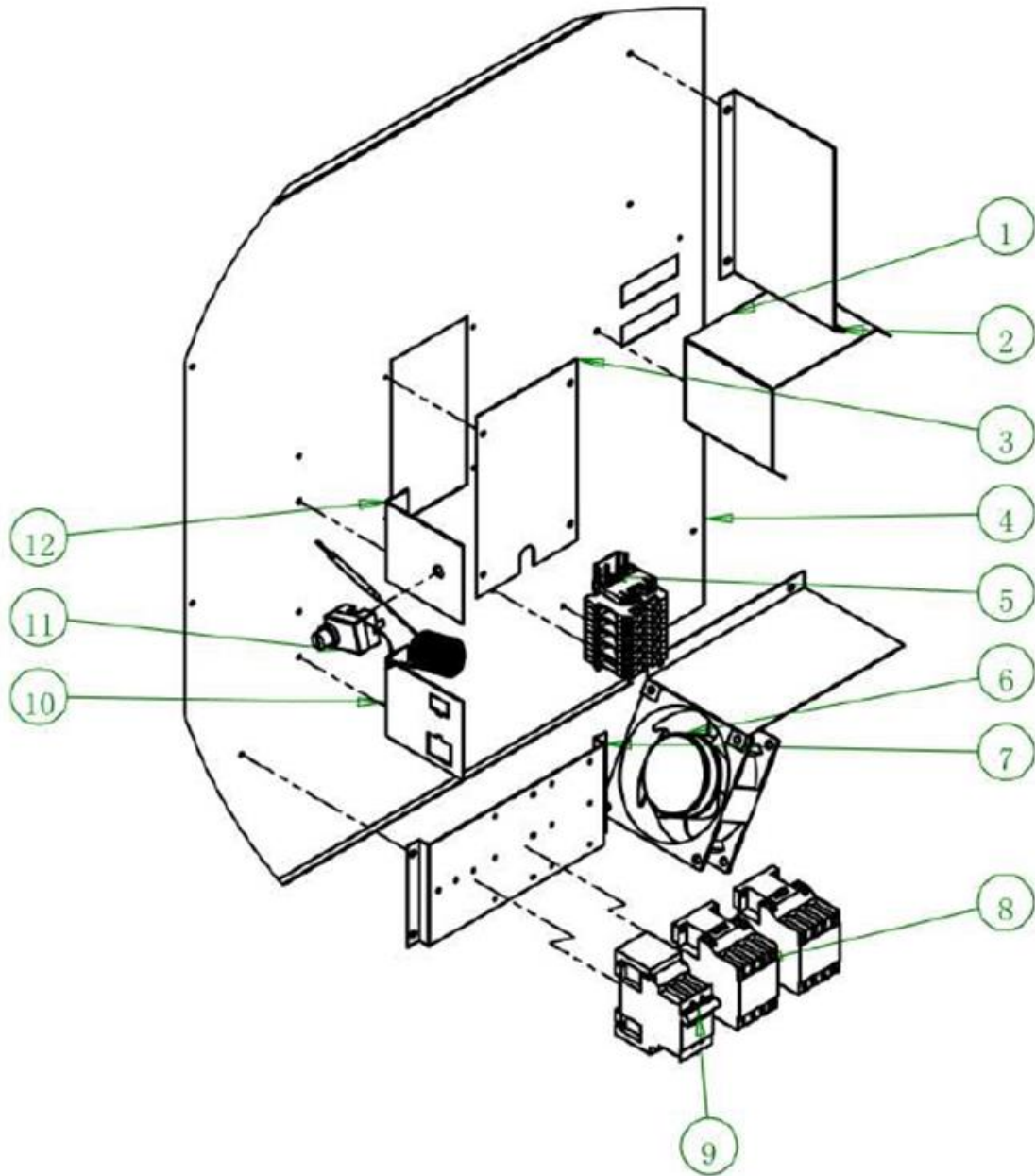
GUSVCO-1 Control panel assembly



GUSVCO-1 Control panel assembly Part List

No.	Part Code	Part Name	QTY
1	302190015	door hinge	1
2	301080172	water-proof switch	4
3	301130023	power indicator	1
4	301130021	working indicator	1
5	301030208	thermostat	1
6	301120028	Timer -60mins	1
7	301100002	buzzer	1
8	20265002041	side plate of control panel	1
9	20217046018	control panel	1

GUSVCO-1 Electronic Components



GUSVCO-1 Electronic Components Part List

No.	Part Code	Part Name	QTY
1	20217046031	Water Baffle	1
2	20217046036	Small Fan Fixed Plate	2
3	20265002032	Cotton Cover Plate	1
4	20217046016	Right Cotton Cover Plate	1
5	301070188	Terminals Assembly	3
6	301010246	Cooling Fan	1
7	20217046030	Component Fixed Plate	1
8	301090135	AC Contactor	2
9	301030192	Breaker	1
10	20265002081	Wire Clip Fixed Plate	1
11	301030198	Hi-Limiter	1
12	20265002082	Hi-Limiter Fixed Plate	1