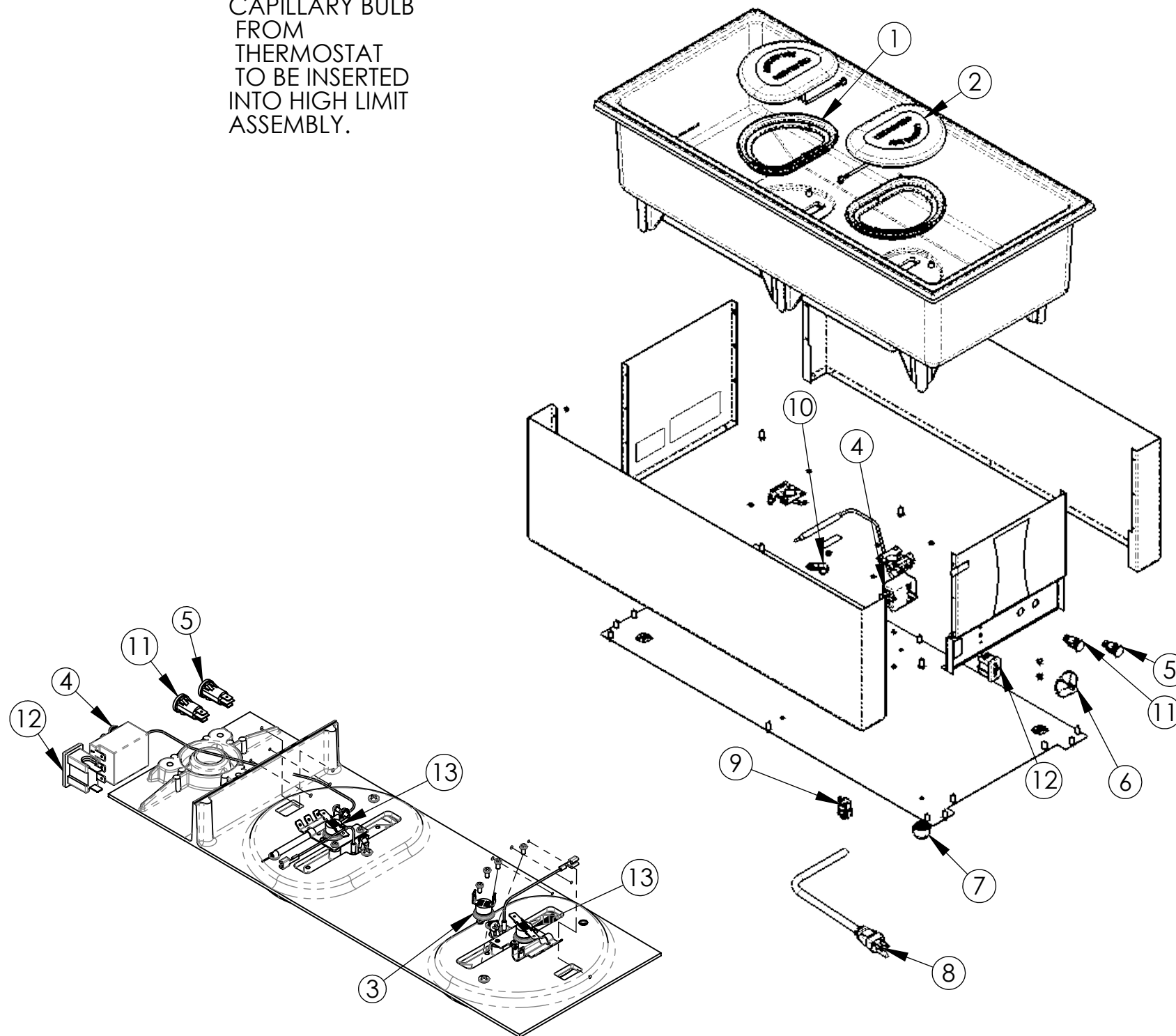


4/3'S THERMOSET WITHOUT DRAIN

CAPILLARY BULB FROM THERMOSTAT TO BE INSERTED INTO HIGH LIMIT ASSEMBLY.



HEATER DETAIL

ITEM NO.	PART NUMBER	DESCRIPTION	QTY.
1	178681-1	SILICONE RUBBER HEATER GASKET	2
2	4428710-2	800W 120V ELEMENT W/ TERMINAL	2
3	25438	THERMOSTAT, REGULATING 125	1
4	17074	THERMOSTAT, SHORT CAPILLARY	1
5	1755901	PILOT LIGHT, BLUE - 120V	1
6	17388	KNOB, CONTROL	1
7	23754	BULLET FOOT, .625"	4
8	17847	CORD, POWER, 120V 5-15P	1
9	17872	90 DEG STRAIN RELIEF	1
10	23989	CLAMP, LOOP, 3/8 DIA X 1/2	1
11	17559	PILOT LIGHT, RED - 120V	1
12	2515840	POWER SWITCH, MAA0A-BL/ON/OFF	1
13	44407	HI LIMIT ASSEMBLY	2

WIRING DIAGRAM

