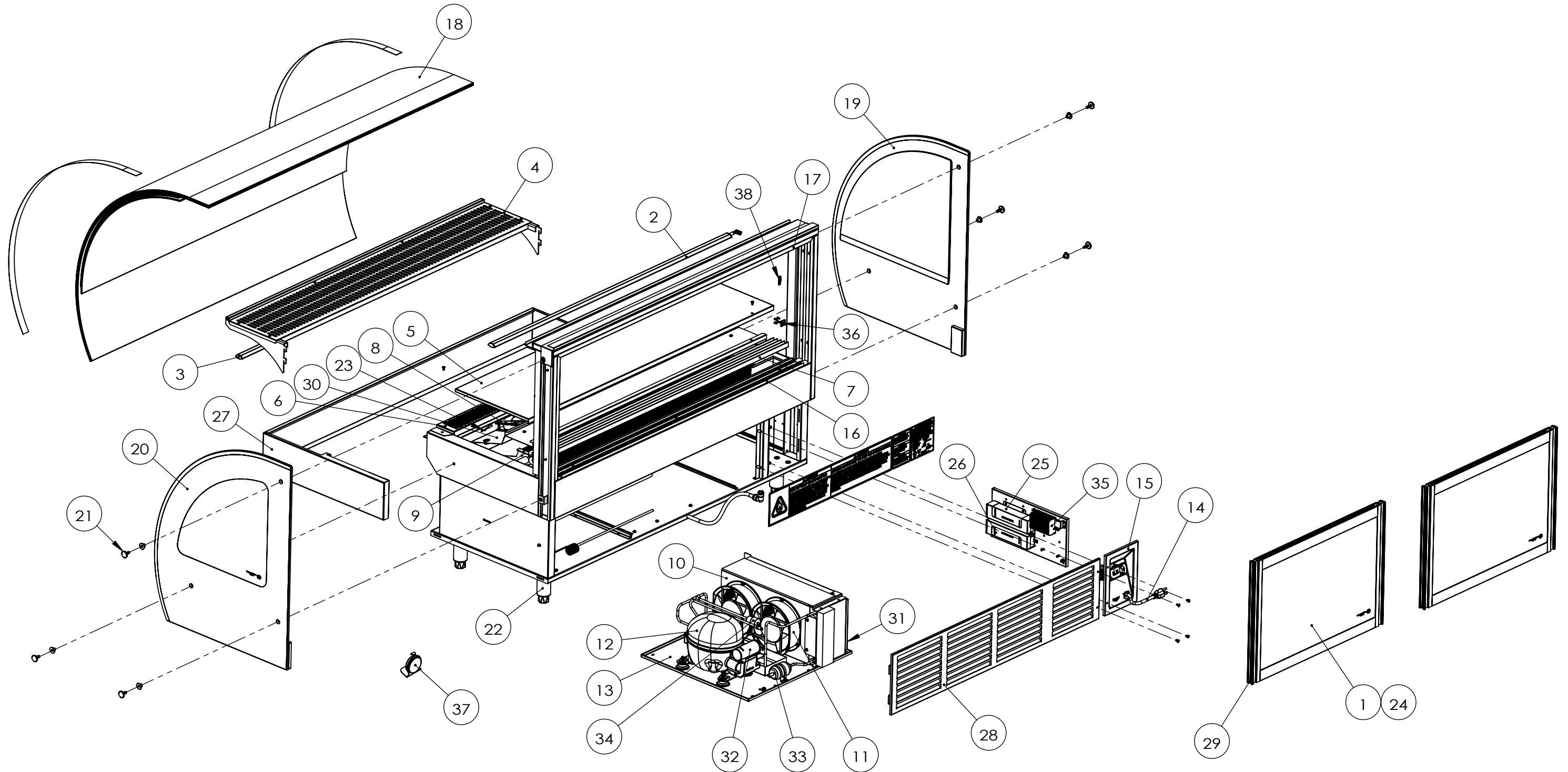


ITEM NO.	MODEL NO.	DESCRIPTION	VOLTAGE	CURRENT	R290 CHARGE	CORD PLUG
RDCCV-48	RDC9248	CURVED COUNTERTOP 48"	120V	6.9A	125G/4.4OZ	5-15P



ITEM NO.	MODEL NO.	DESCRIPTION	VOLTAGE	CURRENT	R290 CHARGE	CORD PLUG
RDCCV-48	RDC9248	CURVED COUNTERTOP 48"	120V	6.9A	125G/4.4OZ	5-15P

SN	PART NO.	DESCRIPTION	QTY.
1	RDC0130-48	48" CURVED DOOR ASM	2
2	RDC0084-48S	48" LED 0.15M	1
3	RDC0084-48L	48" LED 0.50M	1
4	RDC0090-48	48" CURVED TOP SHELF ASM	1
5	RDC0089-48	48" CURVED BOTTOM SHELF	1
6	RDC0042-48	48" AIR OUTLET DUCT	1
7	RDC0088-48	48" REAR AIR GRILL	1
8	RDC0163	EVAPORATOR FAN	4
9	RDC0053-48	48" EVAPORATOR	1
10	RDC0149	RDE CONDENSER	1
11	RDC0093	CONDENSOR FAN	2
12	RDC0147L	EMC3140U COMPRESSOR	1
13	RDC0067-48&60	48"&60" RDCCV CONDENSING UNIT	1
14	RDC0501	POWERCORD W/STRAIN RELIEF	1
15	RDC0502	DIGITAL CONTROLLER, RDC	1
16	RDC0115-48	48" BOTTOM DOOR TRACK	1
17	RDC0128-48	48" BACK SLDNG DOOR TRACK UP	1
18	RDC0508	FRONT GLASS KIT, RDCCV-48	1
19	RDC0103	RDCCV END GLASS R ASM	1
20	RDC0110	RDCCV END GLASS L ASM	1
21	RDC0522	GLASS HARDWARE	6
22	2351601	4 INCH LEG ADJUSTABLE FOOT	4
23	RDC0141	RDE HDE NTC SENSOR	2
24	RDC0155	REAR DOOR SLIDER BTM WHEEL	4
25	RDC0145	POWER FOR LED	1
26	RDC0164	GLASS HEATING POWER	1
27	RDC0126-48	48" RDCCV STAINLESS WRAP	1
28	RDC0127-48	48"BACK VENT PANEL REAR	1
29	RDC0160	CURVED DOOR GASKET	4
30	RDC0086-48	48" FAN PANEL ASM	1
31	RDC0039	RDE FILTER	1
32	RDC0112	CAPACITOR	1
33	RDC0106	RDE DRY FILTER	1
34	RDC0195	HIGH PRESSURE SWITCH	1
35	RDC0043	RDE TERMINAL BLOCK	1
36	RDC0066	3-PIN LED LIGHT SOCKET	2
37	RDC0273	COOL HOLDING THERMOMETER	1
38	RDC0523	SLOT PLUG, QTY. 4	2