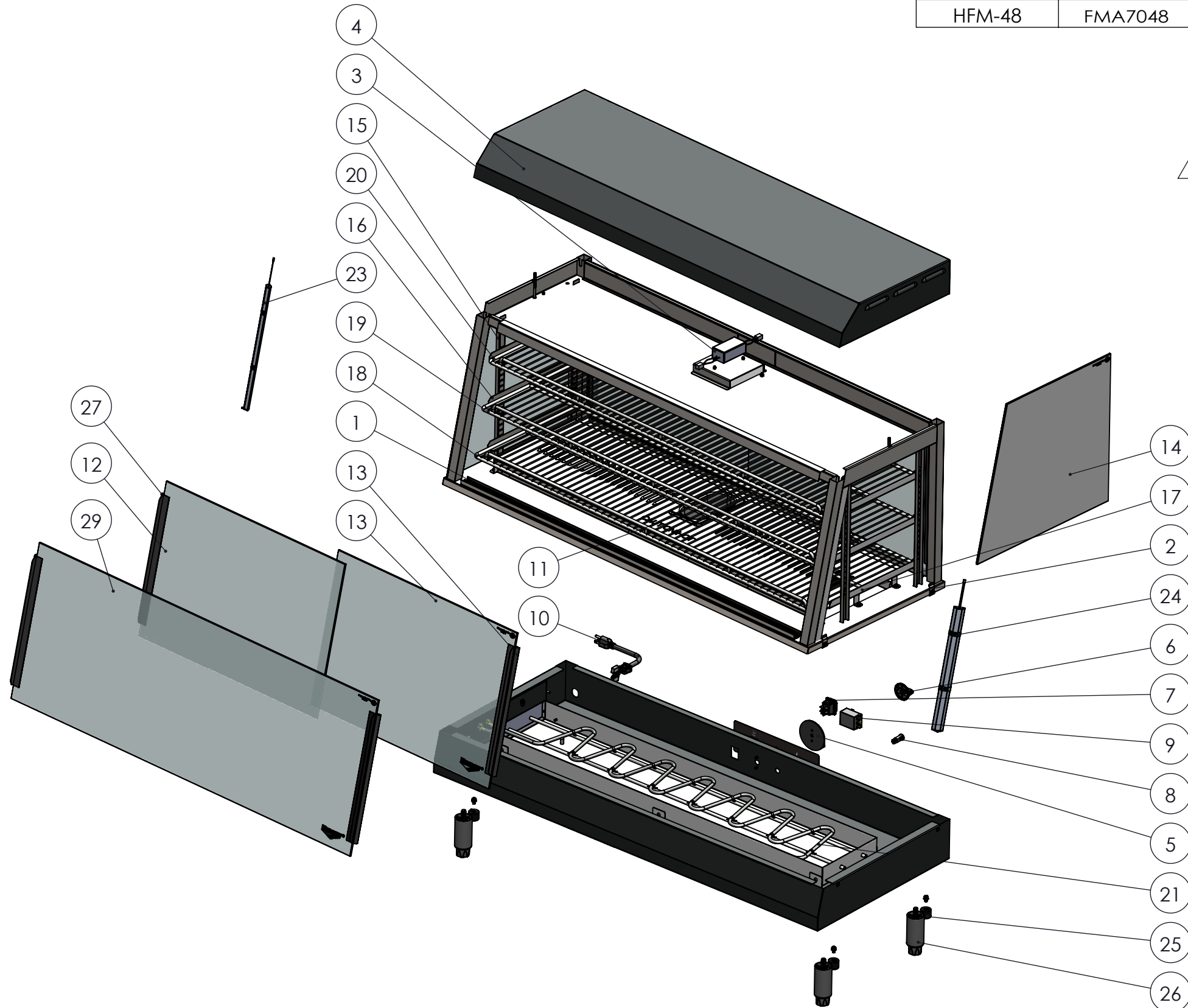


ITEM NO.	MODEL NO.	DESCRIPTION	VOLTS	WATTS	AMPS	PLUG
HFM-48	FMA7048	HOT FOOD MERCHANDISER HFM - 48"	120V	1440W	12A	5-15P



△ A

29	60079	FMA GLASS, SINGLE PANE, HFM-48	1
28	60076	DOOR LOCK W/KEY	2
27	353161-1	FMA DOOR TRIM SEAL	4
26	2351601-1	4 INCH LEG ADJUSTABLE FOOT	4
25	351489-1	FOOT, VBL, 1.00" OD, 20MM LG (SET OF 4)	1
24	353209-1	LED METAL STRIP	4
23	353219-1	LED ASSEMBLY 315MM	2
22	353200-1	HOT HOLDING THERMOMETER (NSF)	1
21	353183-1	FMA ELEMENT HFM-48	1
20	353175-1	FMA SHELF, SMALL, HFM-48	1
19	353174-1	FMA SHELF, M, HFM-48	1
18	353173-1	FMA SHELF, LARGE, HFM-48	1
17	353163-1	FMA HORIZONTAL SUPPORT, RIGHT	3
16	353162-1	FMA HORIZONTAL SUPPORT, LEFT	3
15	353147-1	FMA VERTICAL SHELF SUPPORT	4
14	353130-1	FMA SIDE GLASS	2
13	353199-1	FMA GLASS WITH LOGO, HFM-48	1
12	353159-1	FMA GLASS, HFM-48	3
11	90922	1/9 SIZE, SP3 PAN, 65MM, 2.5"	1
10	353906-1	HFM POWERCORD W/STRAIN RELIEF	1
9	353177-1	FMA THERMOSTAT	1
8	353176-1	PILOT LIGHT, 110V, WHITE	1
7	352773-1	RECT POWER SWITCH 120V DPST	1
6	351788-06-1	CONTROL KNOB	1
5	353907-1	HFM BEZEL W/OVERLAY	1
4	353143-1	FMA TOP COVER, HFM-48	1
3	353905-1	LED POWER SUPPLY 12V 1.25A	1
2	353115-1	FMA GLASS CLIPS	4
1	353120-1	FMA DOOR TRACK, BLACK HFM-48	2
SN	PART NUMBER	DESCRIPTION	QTY.