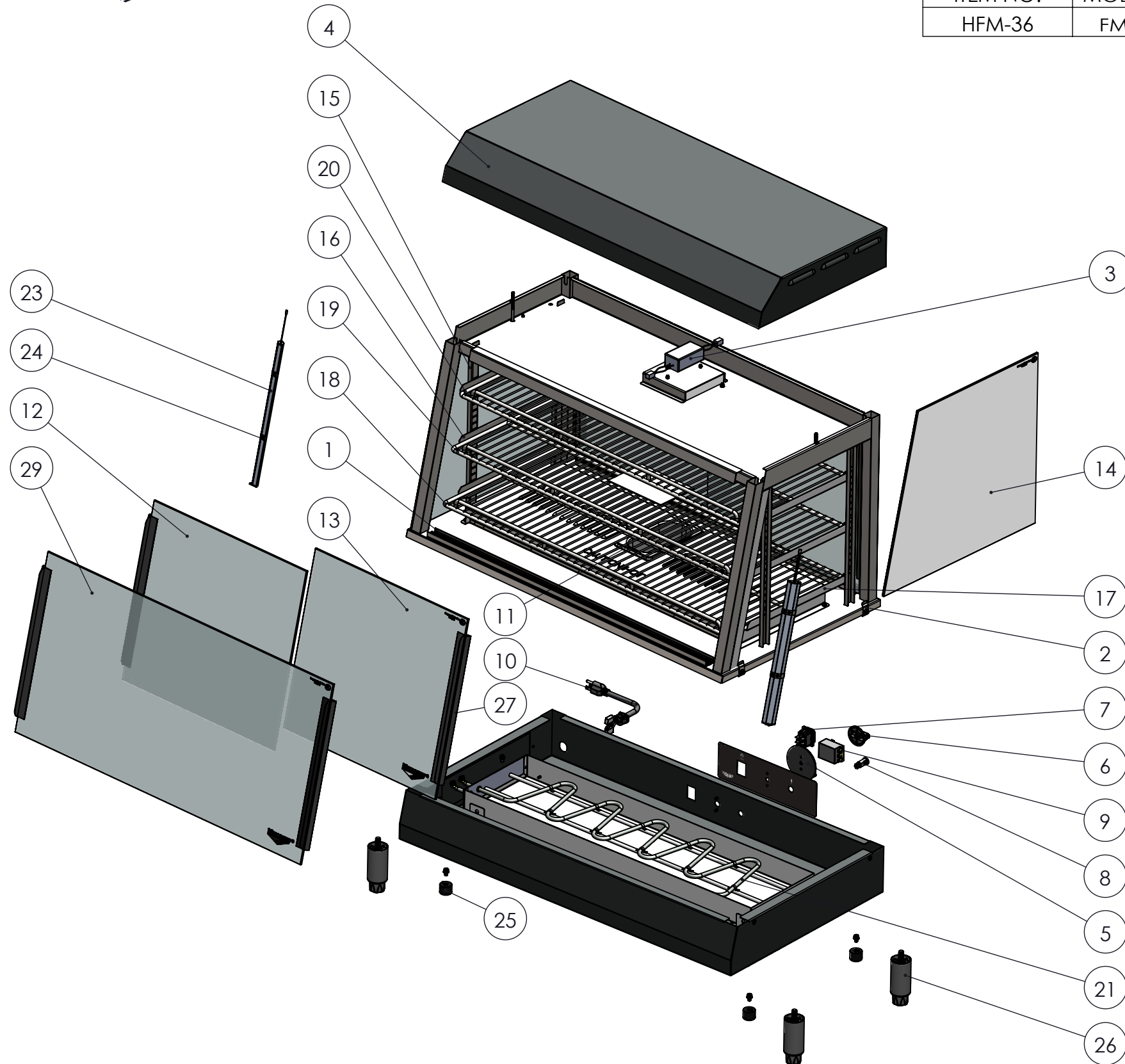


ITEM NO.	MODEL NO.	DESCRIPTION	VOLTS	WATTS	AMPS	PLUG
HFM-36	FMA7036	HOT FOOD MERCHANDISER HFM - 36"	120V	1440W	12A	5-15P



SN	PART NUMBER	DESCRIPTION	QTY.
	29	60078 FMA GLASS, SINGLE PANE, HFM-36	1
	28	60076 DOOR LOCK W/KEY	2
	27	353161-1 FMA DOOR TRIM SEAL	4
	26	2351601-1 4 INCH LEG ADJUSTABLE FOOT	4
	25	351775-1 FOOT, VBL, 1.00" OD, 20MM LG (SET OF 4)	1
	24	353209-1 LED METAL STRIP	4
	23	353219-1 LED ASSEMBLY 315MM	2
	22	353200-1 HOT HOLDING THERMOMETER (NSF)	1
	21	353182-1 FMA ELEMENT HFM-36	1
	20	353172-1 FMA SHELF, SMALL, HFM-36	1
	19	353171-1 FMA SHELF, M, HFM-36	1
	18	353170-1 FMA SHELF, LARGE, HFM-36	1
	17	353163-1 FMA HORIZONTAL SUPPORT, RIGHT	3
	16	353162-1 FMA HORIZONTAL SUPPORT, LEFT	3
	15	353147-1 FMA VERTICAL SHELF SUPPORT	4
	14	353130-1 FMA SIDE GLASS	2
	13	353198-1 FMA GLASS WITH LOGO, HFM-36	1
	12	353157-1 FMA GLASS, HFM-36	3
	11	90922 1/9 SIZE, SP3 PAN, 65MM, 2.5"	1
	10	353906-1 HFM POWERCORD W/STRAIN RELIEF	1
	9	353177-1 FMA THERMOSTAT	1
	8	353176-1 PILOT LIGHT, 1 10V, WHITE	1
	7	352773-1 RECT POWER SWITCH 120V DPST	1
	6	351788-06-1 CONTROL KNOB	1
	5	353907-1 HFM BEZEL W/OVERLAY	1
	4	353142-1 FMA TOP COVER, HFM-36	1
	3	353905-1 LED POWER SUPPLY 12V 1.25A	1
	2	353115-1 FMA GLASS CLIPS	4
	1	353119-1 FMA DOOR TRACK, BLACK HFM-36	2