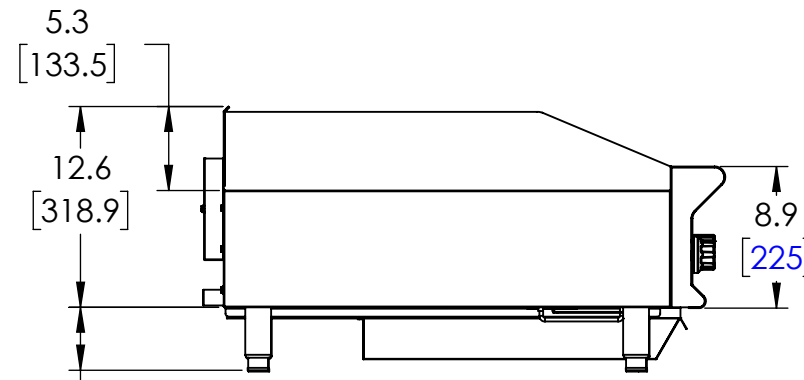
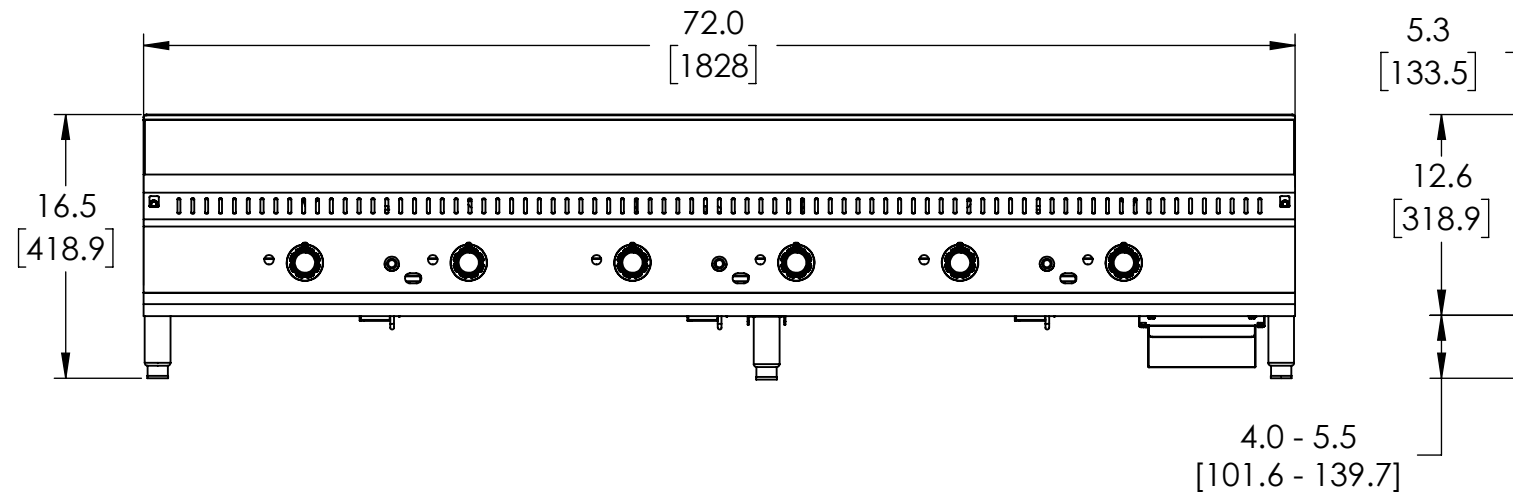
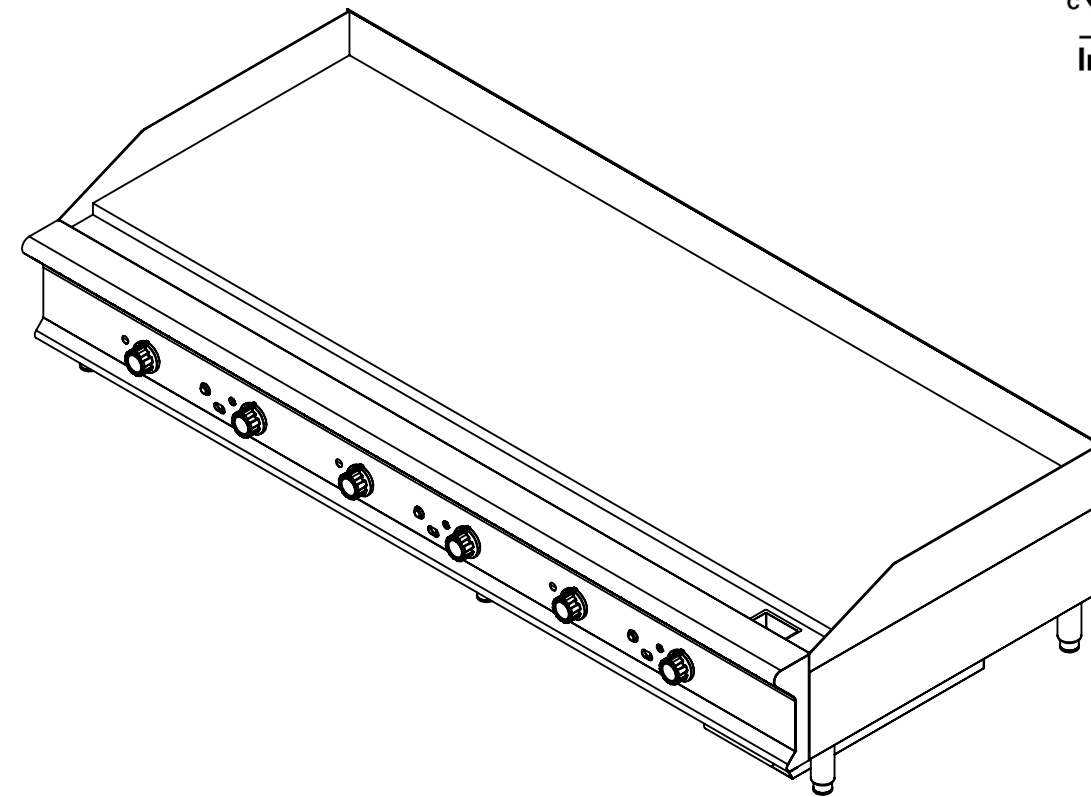
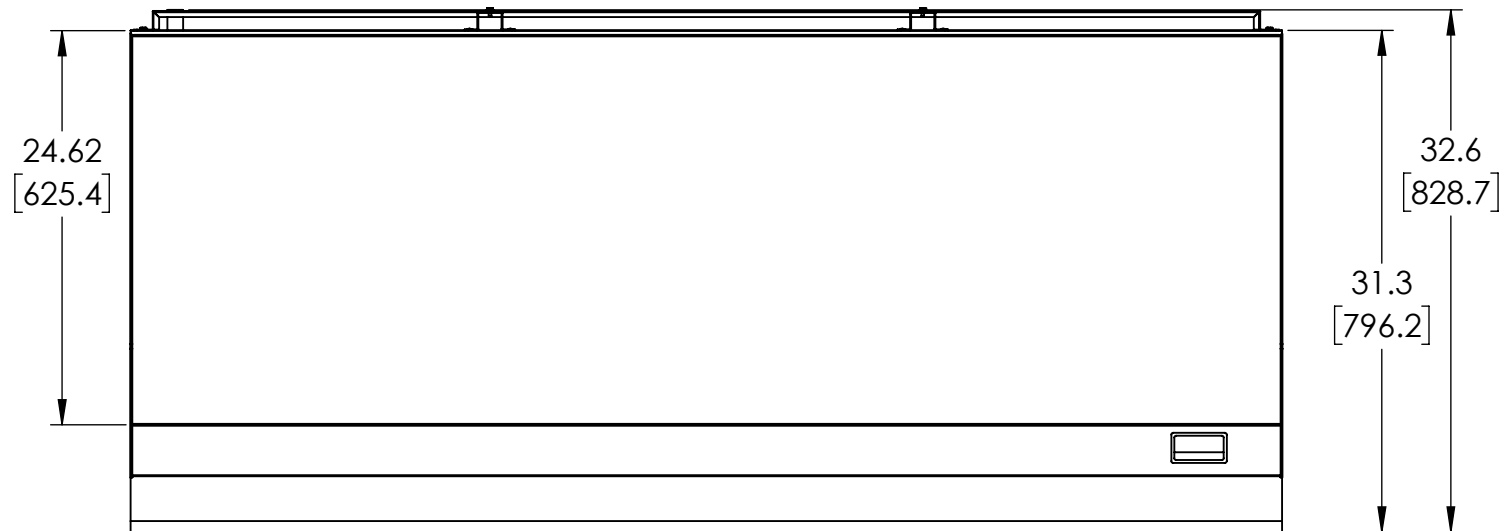


VOLLRATH THERMOSTAT GAS GRIDDLE, 72", HEAVY DUTY, 1" THICK PLATE

ITEM NO./MODEL NO.	DESCRIPTION
GGHDT-72	THERMOSTAT GAS GRIDDLE, 72", HEAVY DUTY, 1" THICK PLATE



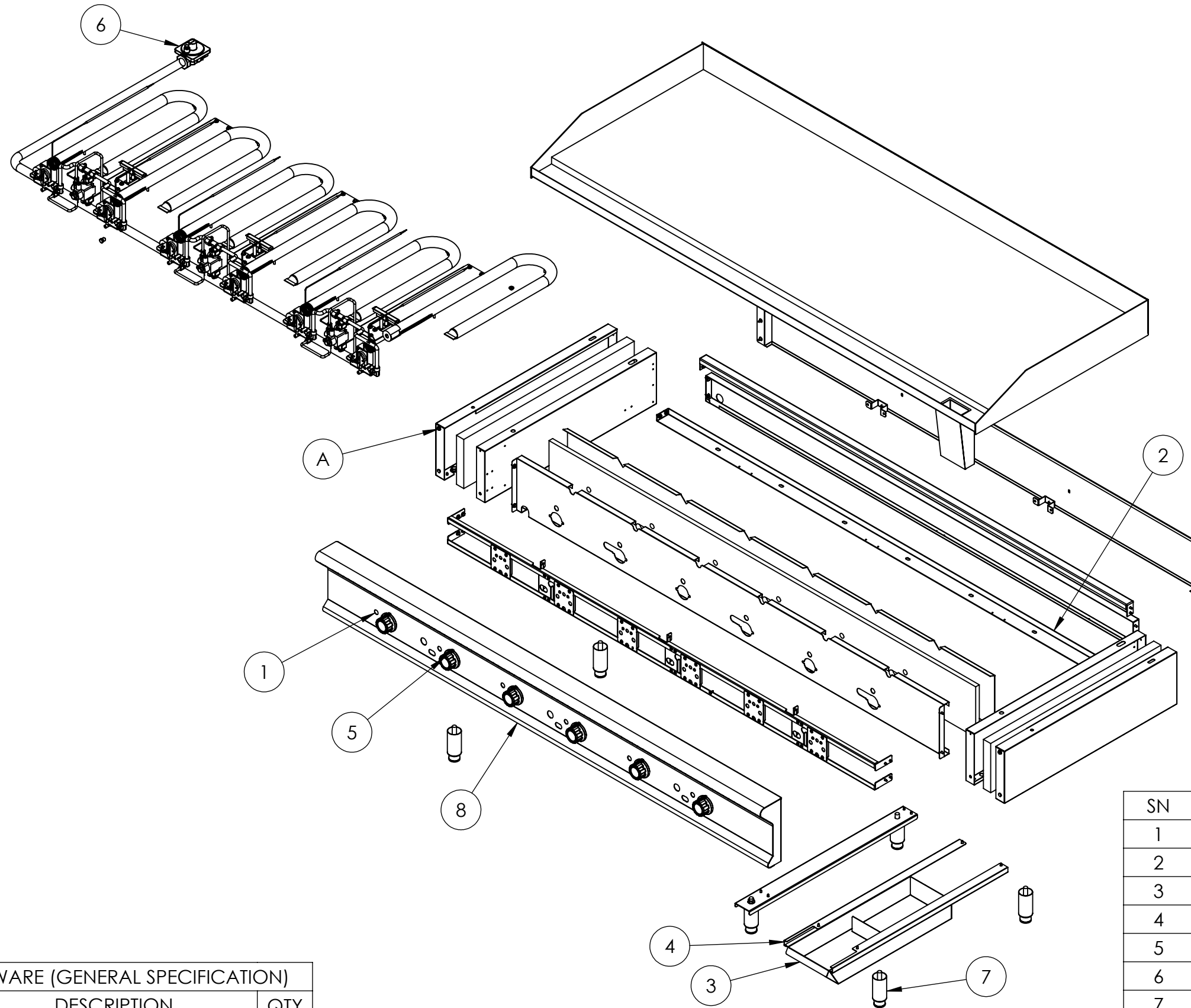
- NOTE:
1. OUTPUT IS 180,000 BTU.
 2. UNIT SHOULD BE INSTALLED UNDER A HOOD IN ACCORDANCE WITH THE LATEST EDITION OF THE STANDARD FOR VENTILATION CONTROL AND FIRE PROTECTION OF COMMERCIAL COOKING OPERATIONS, NFPA 96.
 3. STANDING PILOTS WITH A MANUAL BURNER CONTROL VALVE FOR EACH BURNER. 3/4" NPT GAS INLET.
 4. UNIT WEIGHT IS: 690.0 LBS.
 5. MATERIALS: STAINLESS STEEL AND PRE-SEASONED CAST IRON.
 6. CERTIFICATIONS:
 1. ANSI Z83.11:2016.
 2. CSA 1.8:2016.
 3. NSF/ANSI 4.



DIMENSIONS ARE IN INCHES (IN) UNLESS OTHERWISE NOTED.
DIMENSIONS IN BRACKETS ARE IN MILLIMETERS (MM) AND ARE FOR REFERENCE ONLY.

VOLLRATH THERMOSTAT GAS GRIDDLE, 72", HEAVY DUTY, 1" THICK PLATE

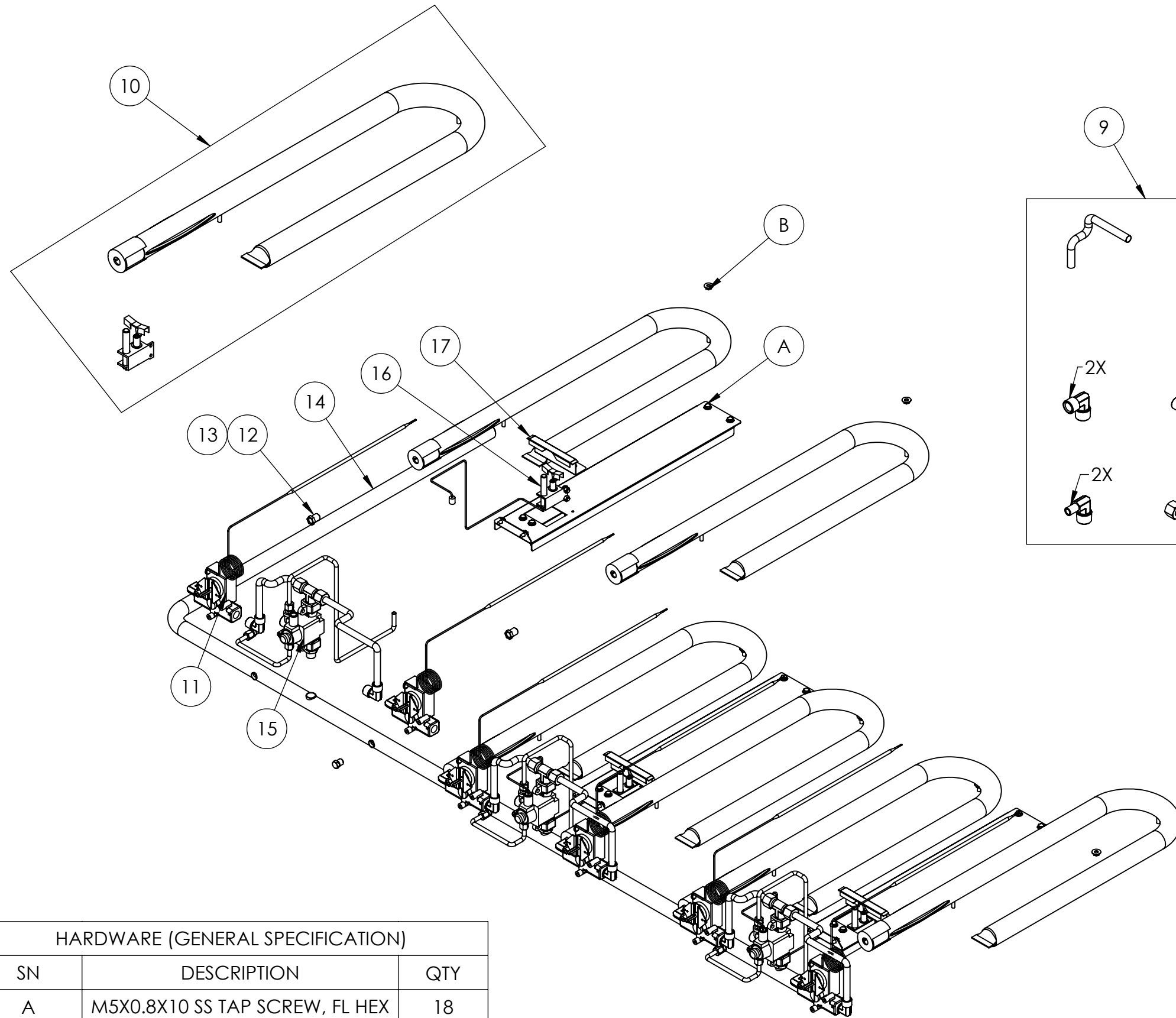
ITEM NO./MODEL NO.	DESCRIPTION
GGHDT-72	THERMOSTAT GAS GRIDDLE, 72", HEAVY DUTY, 1" THICK PLATE



HARDWARE (GENERAL SPECIFICATION)		
SN	DESCRIPTION	QTY
A	M5X0.8X10 SS TAP SCREW, FL HEX	38

SN	PART NO	DESCRIPTION	QTY
1	353481-1	FASCIA - 72IN HDT GRIDDLE	1
2	353471-1	BURNER SUPPORT - 72IN GRIDDLE	1
3	353386-1	DRIP TRAY - GRIDDLE	1
4	352506-1	DRIP TRAY SUPPORTS - HD GD	1
5	352495-1	CONTROL KNOB SM INSERT	6
6	352509-1	REGULATOR 5IN WC	1
7	353376-1	LEG, GAS APPLIANCE	6
8	354240-1	GGHDT-72 FRONT PANEL ASSY	1

ITEM NO./MODEL NO.	DESCRIPTION
GGHDT-72	THERMOSTAT GAS GRIDDLE, 72", HEAVY DUTY, 1" THICK PLATE



*NOTE: ONLY ONE TYPE OF ORIFICE IS REQUIRED, 2.35MM FOR NATURAL GAS OR 1.60MM FOR LP

HARDWARE (GENERAL SPECIFICATION)		
SN	DESCRIPTION	QTY
A	M5X0.8X10 SS TAP SCREW, FL HEX	18
B	M5X0.8X4 SS HEX NUT	12

SN	PART NO	DESCRIPTION	QTY
9	353477-1	HD VALVE CONNECTORS ASSY	3
10	353474-1	BURNER/PILOT ASSY - HDT GAS GRID	6
11	353475-1	HD GST VALVE ASSY	6
12	353440-1	2.35MM BRASS ORIFICE	6
13	353369-1	1.60MM BRASS ORIFICE	6
14	352499-1	MANIFOLD - 72IN HDT GRIDDLE	1
15	352500-1	HDT GRIDDLE SAFETY VALVE	3
16	352501-1	HDT GRIDDLE THERMOCOUPLE	3
17	352547-1	HDT PILOT DIVERTER	3