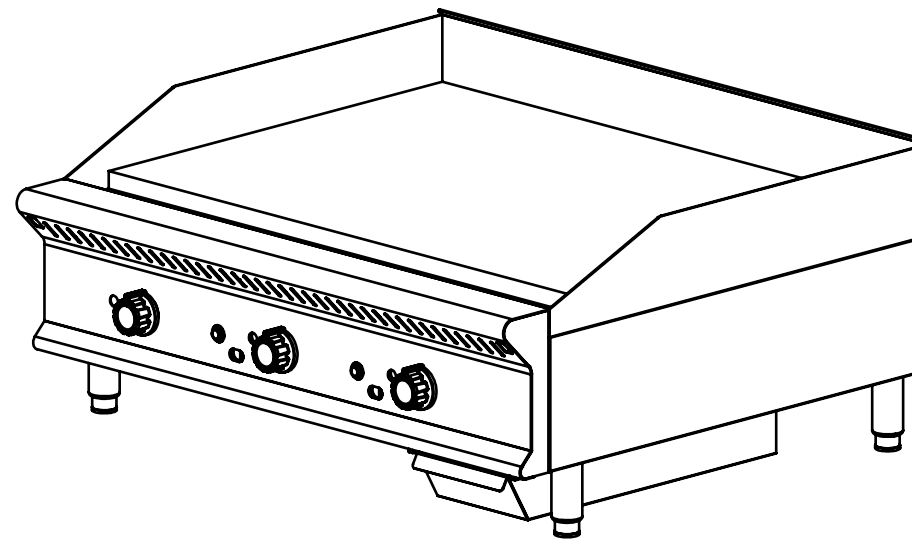
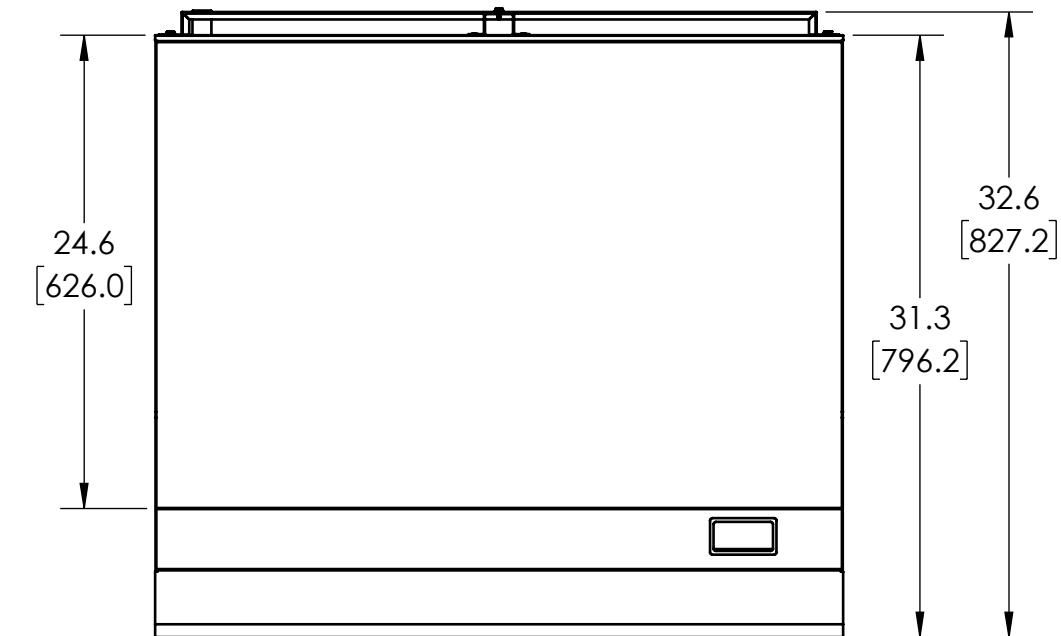
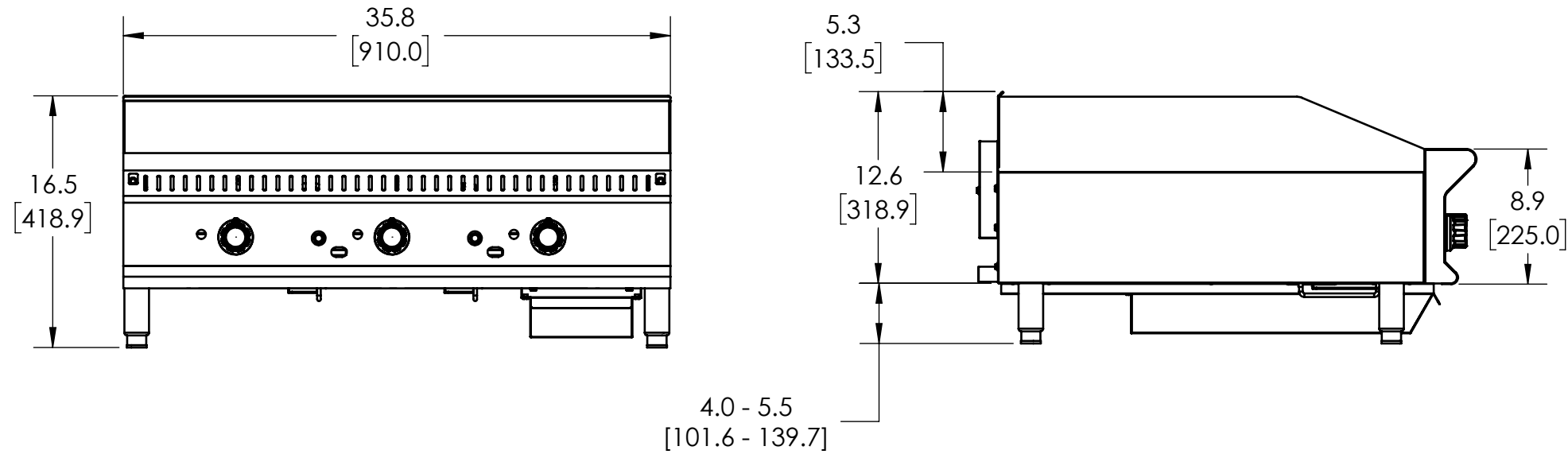


VOLLRATH THERMOSTAT GAS GRIDDLE, 36", HEAVY DUTY, 1" THICK PLATE

ITEM NO./MODEL NO.	DESCRIPTION
GGHDT-36	THERMOSTAT GAS GRIDDLE, 36", HEAVY DUTY, 1" THICK PLATE



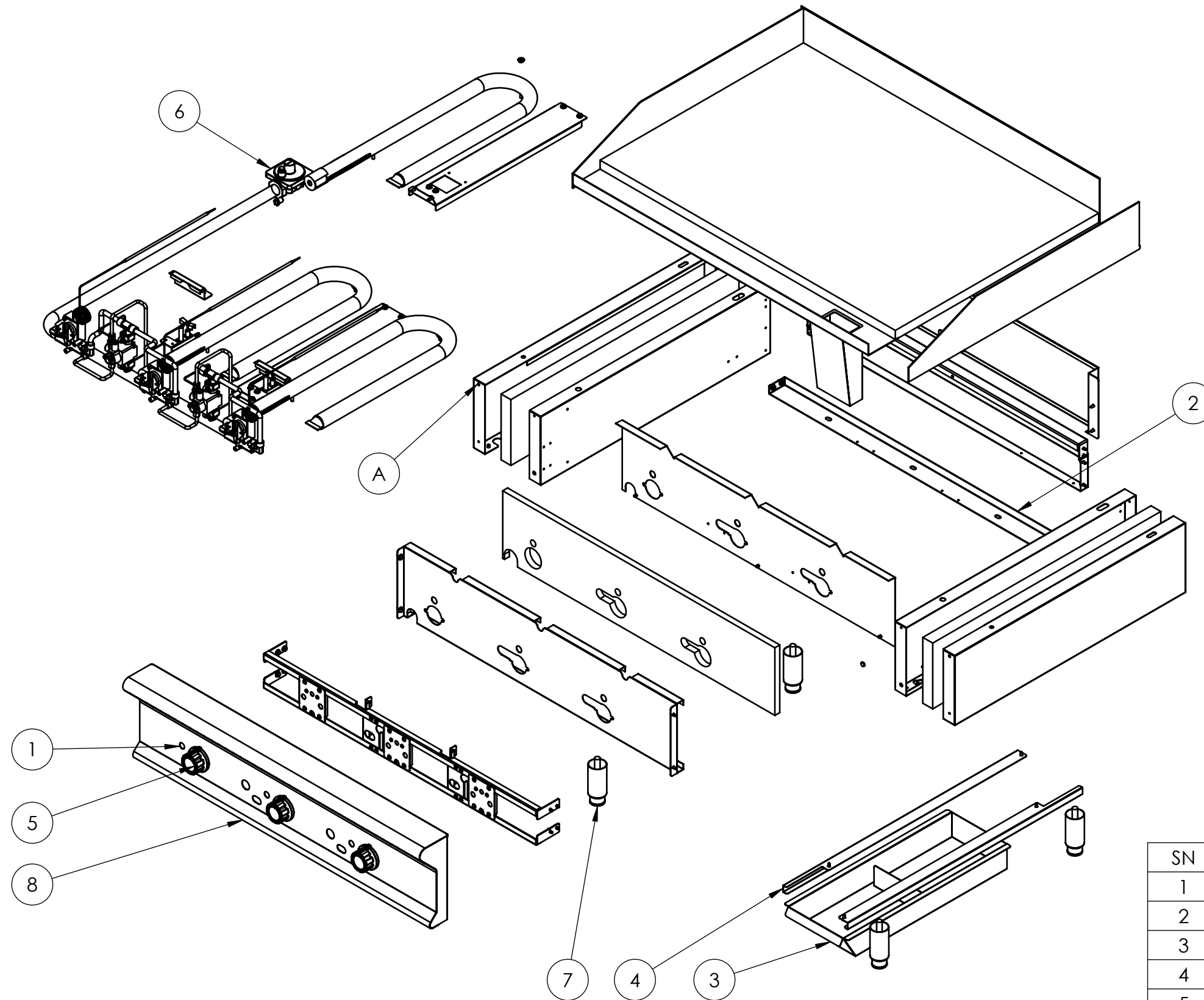
NOTE:

1. OUTPUT IS 90,000 BTU.
2. UNIT SHOULD BE INSTALLED UNDER A HOOD IN ACCORDANCE WITH THE LATEST EDITION OF THE STANDARD FOR VENTILATION CONTROL AND FIRE PROTECTION OF COMMERCIAL COOKING OPERATIONS, NFPA 96.
3. STANDING PILOTS WITH A MANUAL BURNER CONTROL VALVE FOR EACH BURNER. 3/4" NPT GAS INLET.
4. UNIT WEIGHT IS: 269.5 LBS.
5. MATERIALS: STAINLESS STEEL AND PRE-SEASONED CAST IRON.
6. CERTIFICATIONS:
 1. ANSI Z83.11:2016.
 2. CSA 1.8:2016.
 3. NSF/ANSI 4.



DIMENSIONS ARE IN INCHES (IN) UNLESS OTHERWISE NOTED.
 DIMENSIONS IN BRACKETS ARE IN MILLIMETERS (MM) AND ARE FOR REFERENCE ONLY.

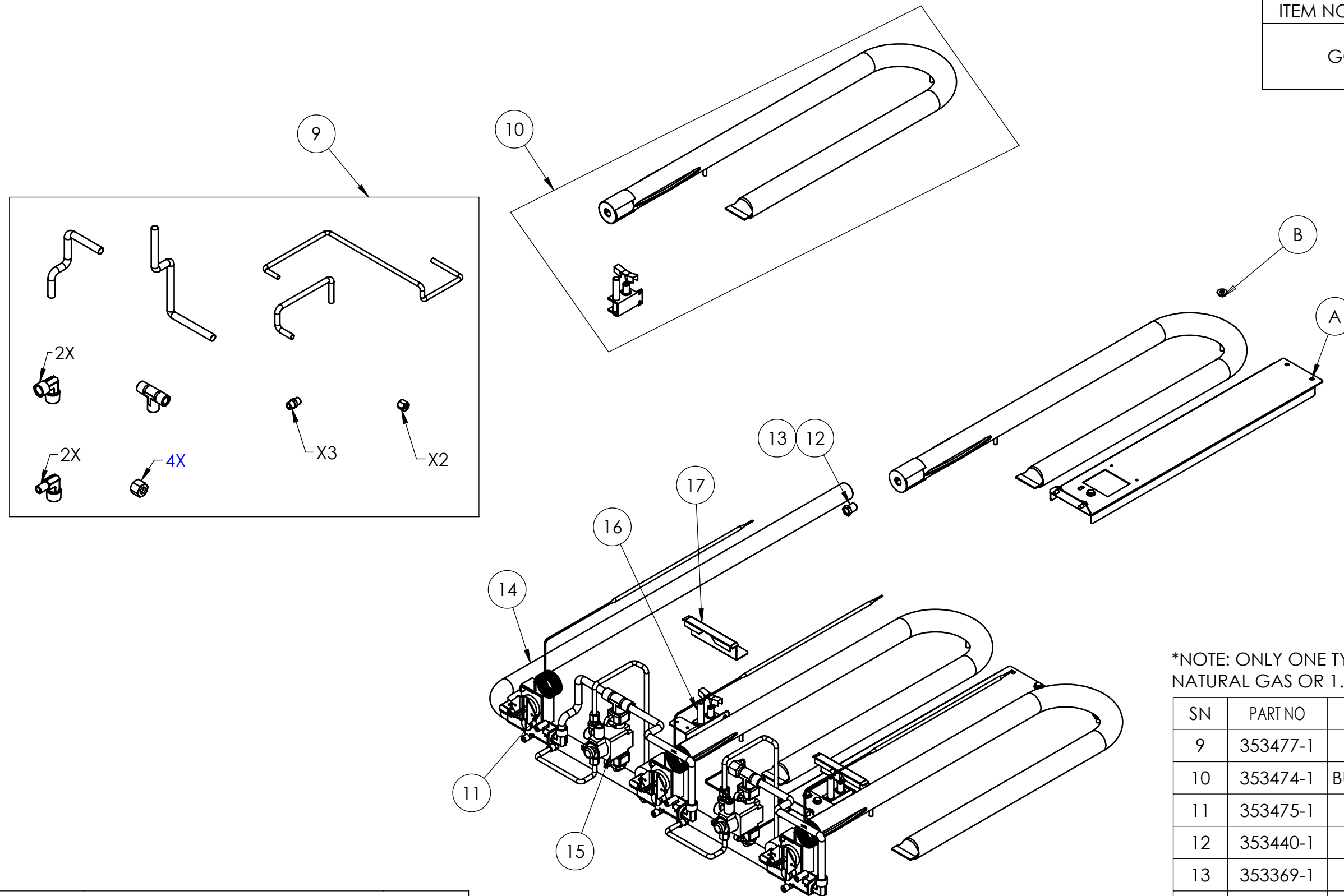
ITEM NO./MODEL NO.	DESCRIPTION
GGHDT-36	THERMOSTAT GAS GRIDDLE, 36", HEAVY DUTY, 1" THICK PLATE



HARDWARE (GENERAL SPECIFICATION)		
SN	DESCRIPTION	QTY
A	M5X0.8X10 SS TAP SCREW, FL HEX	37

SN	PART NO	DESCRIPTION	QTY
1	353478-1	FASCIA - 36IN HDT GRIDDLE	1
2	353397-1	BURNER SUPPORT - 36IN GRIDDLE	1
3	353386-1	DRIP TRAY - GRIDDLE	1
4	352506-1	DRIP TRAY SUPPORTS - HD GD	1
5	352495-1	CONTROL KNOB SM INSERT	3
6	352509-1	REGULATOR 5IN WC	1
7	353376-1	LEG, GAS APPLIANCE	4
8	354237-1	GGHDT-36 FRONT PANEL ASSY	1

ITEM NO./MODEL NO.	DESCRIPTION
GGHDT-36	THERMOSTAT GAS GRIDDLE, 36", HEAVY DUTY, 1" THICK PLATE



*NOTE: ONLY ONE TYPE OF ORIFICE IS REQUIRED, 2.35MM FOR NATURAL GAS OR 1.60MM FOR LP

SN	PART NO	DESCRIPTION	QTY
9	353477-1	HD VALVE CONNECTORS ASSY	2
10	353474-1	BURNER/PILOT ASSY - HDT GAS GRID	3
11	353475-1	HD GST VALVE ASSY	3
12	353440-1	2.35MM BRASS ORIFICE	3
13	353369-1	1.60MM BRASS ORIFICE	3
14	352496-1	MANIFOLD - 36IN HDT GRIDDLE	1
15	352500-1	HDT GRIDDLE SAFETY VALVE	2
16	352501-1	HDT GRIDDLE THERMOCOUPLE	2
17	352547-1	HDT PILOT DIVERTER	2

HARDWARE (GENERAL SPECIFICATION)		
SN	DESCRIPTION	QTY
A	M5X0.8X10 SS TAP SCREW, FL HEX	16
B	M5X0.8X4 SS HEX NUT	11