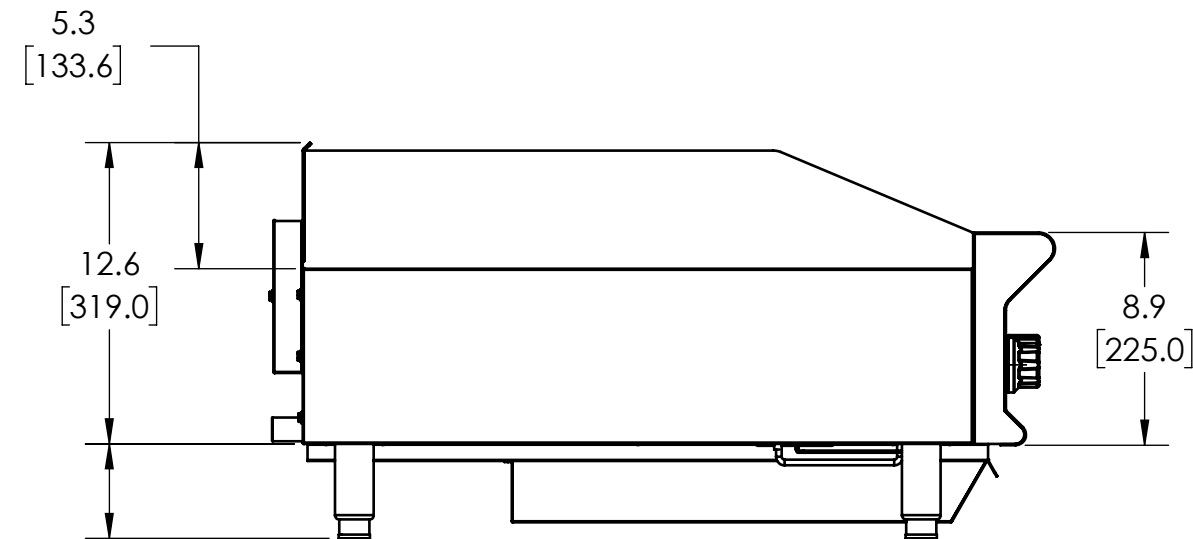
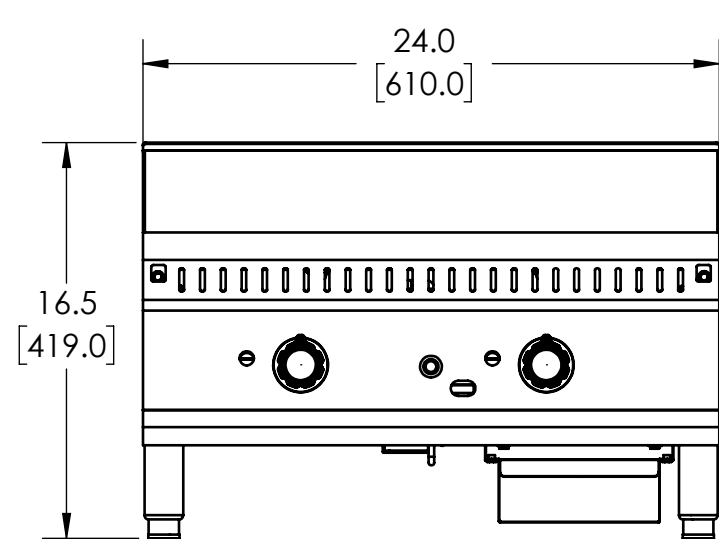
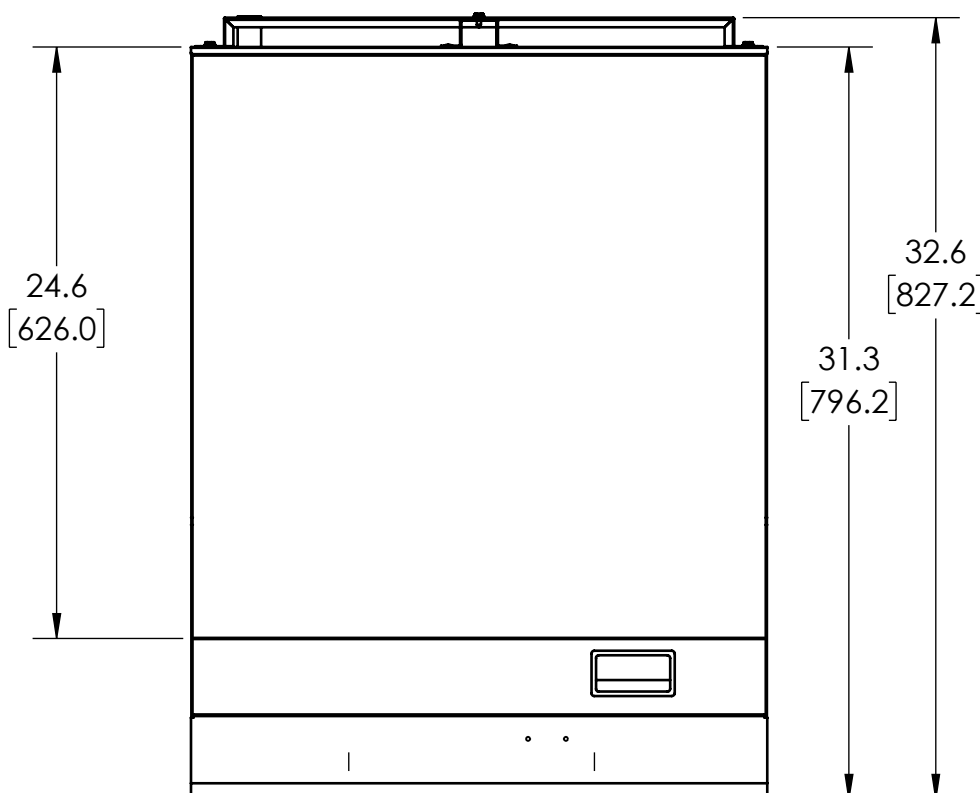


**VOLLRATH** THERMOSTAT GAS GRIDDLE, 24", HEAVY DUTY, 1" THICK PLATE

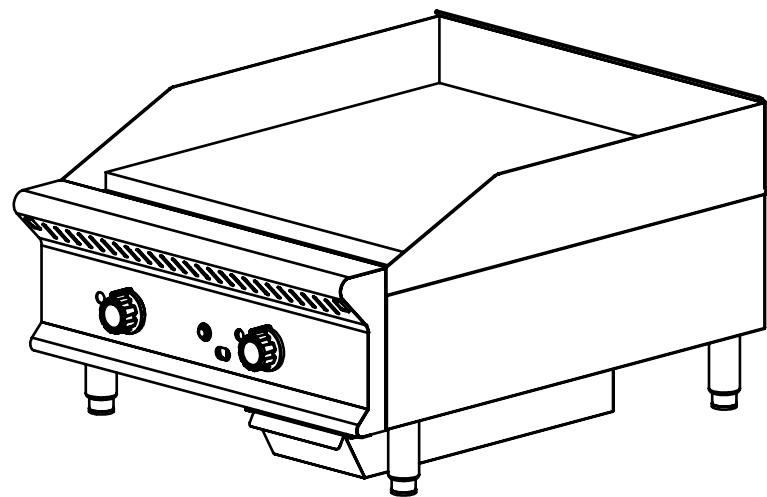
ITEM NO./MODEL NO.	DESCRIPTION
GGHDT-24	THERMOSTAT GAS GRIDDLE, 24", HEAVY DUTY, 1" THICK PLATE



4.0 - 5.5 [101.6 - 139.7]



24.6 [626.0]



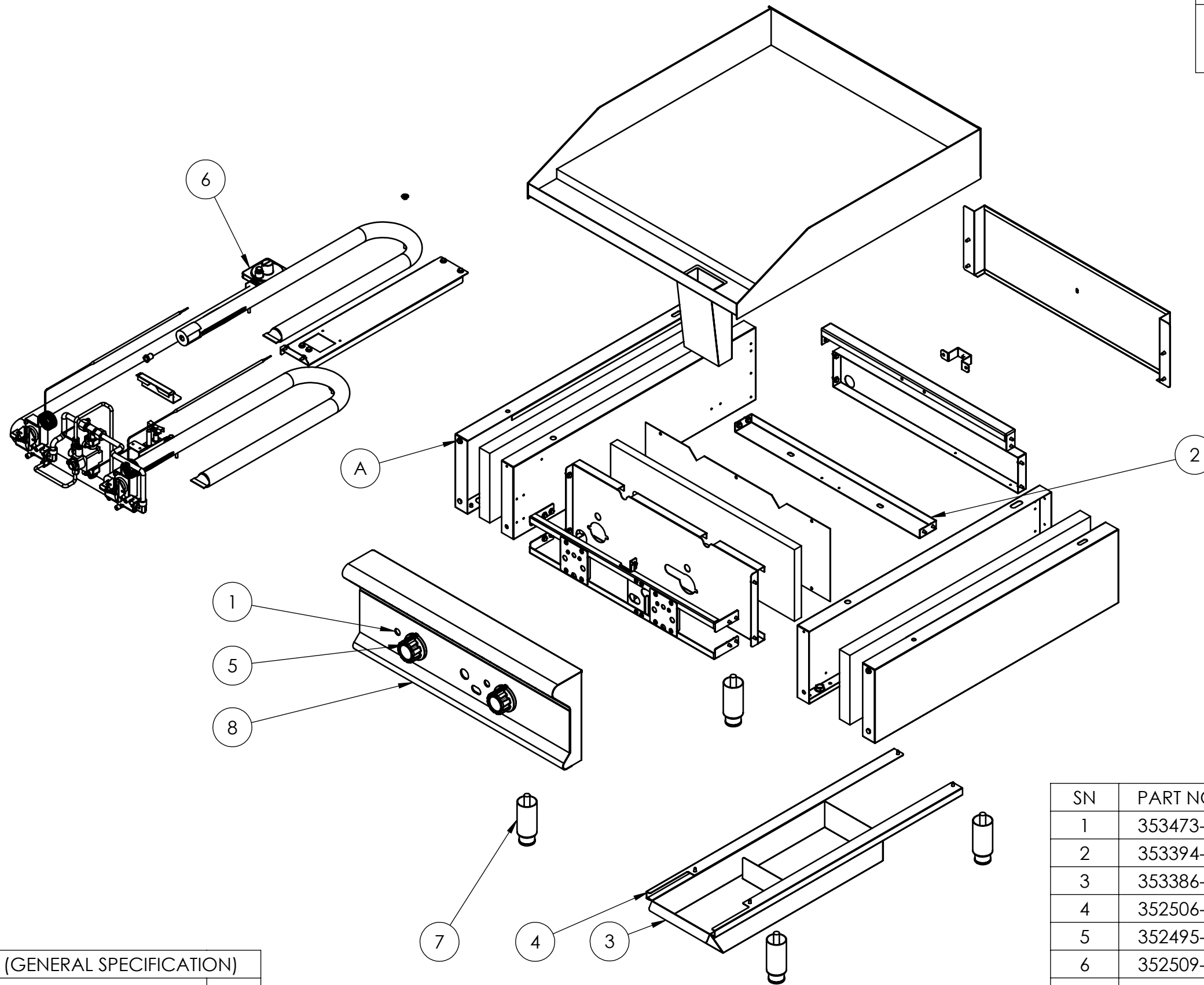
NOTE:

1. OUTPUT IS 60,000 BTU.
2. UNIT SHOULD BE INSTALLED UNDER A HOOD IN ACCORDANCE WITH THE LATEST EDITION OF THE STANDARD FOR VENTILATION CONTROL AND FIRE PROTECTION OF COMMERCIAL COOKING OPERATIONS, NFPA 96.
3. STANDING PILOTS WITH A MANUAL BURNER CONTROL VALVE FOR EACH BURNER. 3/4" NPT GAS INLET.
4. UNIT WEIGHT IS: 215.0 LBS.
5. MATERIALS: STAINLESS STEEL AND PRE-SEASONED CAST IRON.
6. CERTIFICATIONS:
  1. ANSI Z83.11:2016.
  2. CSA 1.8:2016.
  3. NSF/ANSI 4.



DIMENSIONS ARE IN INCHES (IN) UNLESS OTHERWISE NOTED.  
DIMENSIONS IN BRACKETS ARE IN MILLIMETERS (MM) AND ARE FOR REFERENCE ONLY.

ITEM NO./MODEL NO.	DESCRIPTION
GGHDT-24	THERMOSTAT GAS GRIDDLE, 24", HEAVY DUTY, 1" THICK PLATE



HARDWARE (GENERAL SPECIFICATION)		
SN	DESCRIPTION	QTY
A	M5X0.8X10 SS TAP SCREW, FL HEX	37

SN	PART NO	DESCRIPTION	QTY
1	353473-1	FASCIA - 24IN HDT GRIDDLE	1
2	353394-1	BURNER SUPPORT - 24IN GRIDDLE	1
3	353386-1	DRIP TRAY - GRIDDLE	1
4	352506-1	DRIP TRAY SUPPORTS - HD GD	1
5	352495-1	CONTROL KNOB SM INSERT	2
6	352509-1	REGULATOR 5IN WC	1
7	353376-1	LEG, GAS APPLIANCE	4
8	354236-1	GGHDT-24 FRONT PANEL ASSY	1

