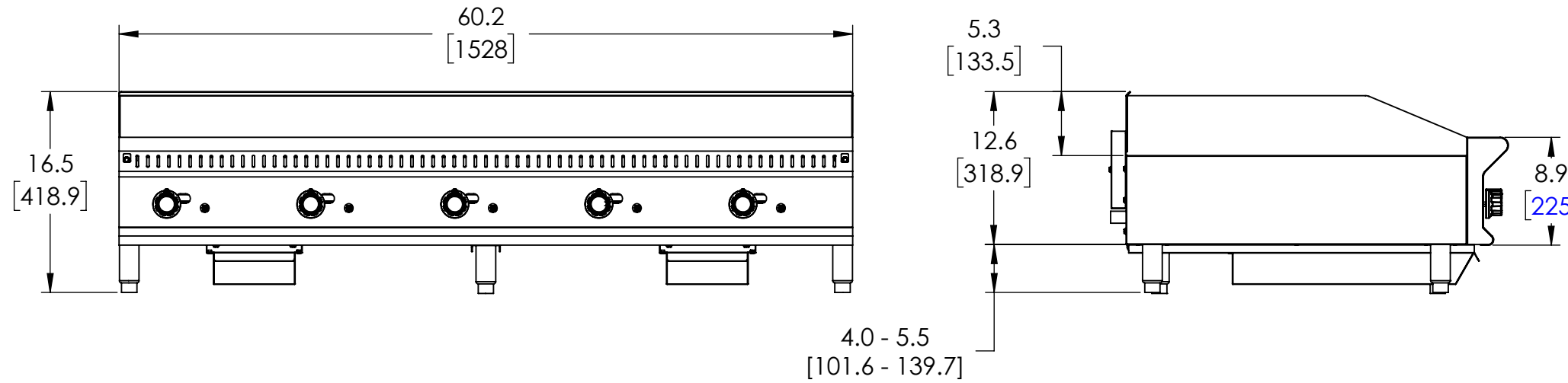


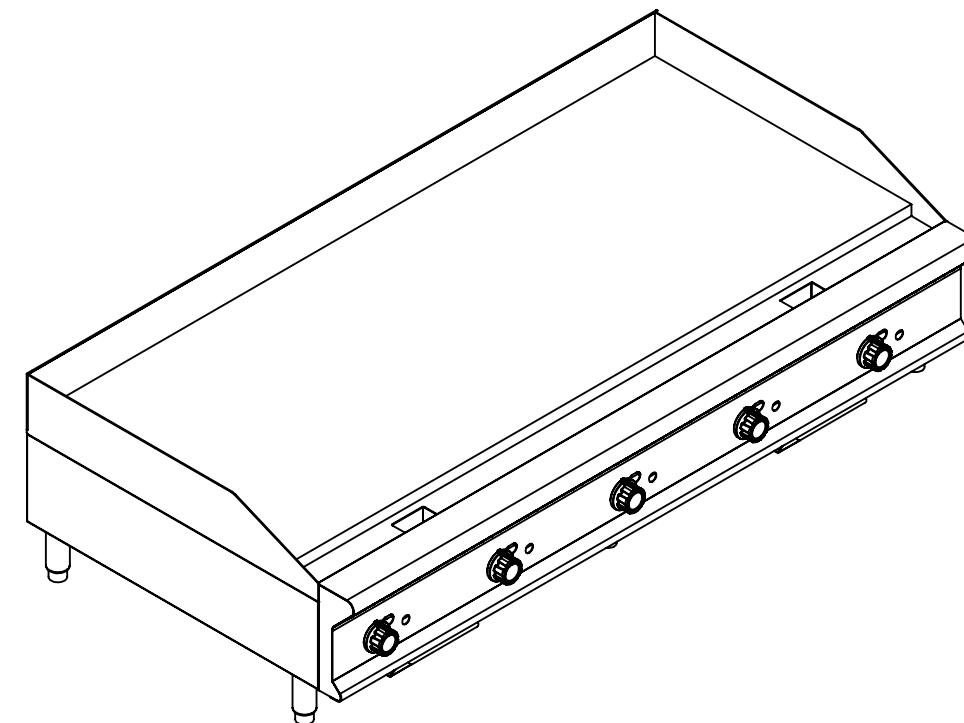
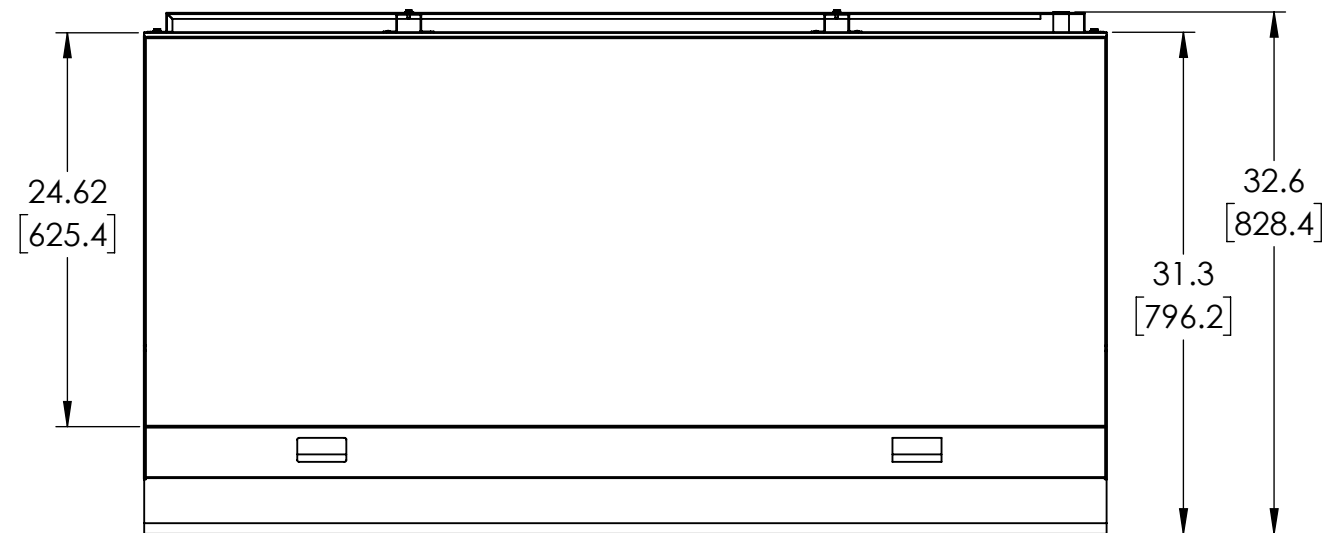
VOLLRATH MANUAL GAS GRIDDLE, 60", HEAVY DUTY, 1" THICK PLATE

| ITEM NO./MODEL NO. | DESCRIPTION |
|--------------------|---|
| GGHDM-60 | MANUAL GAS GRIDDLE, 60", HEAVY DUTY, 1" THICK PLATE |



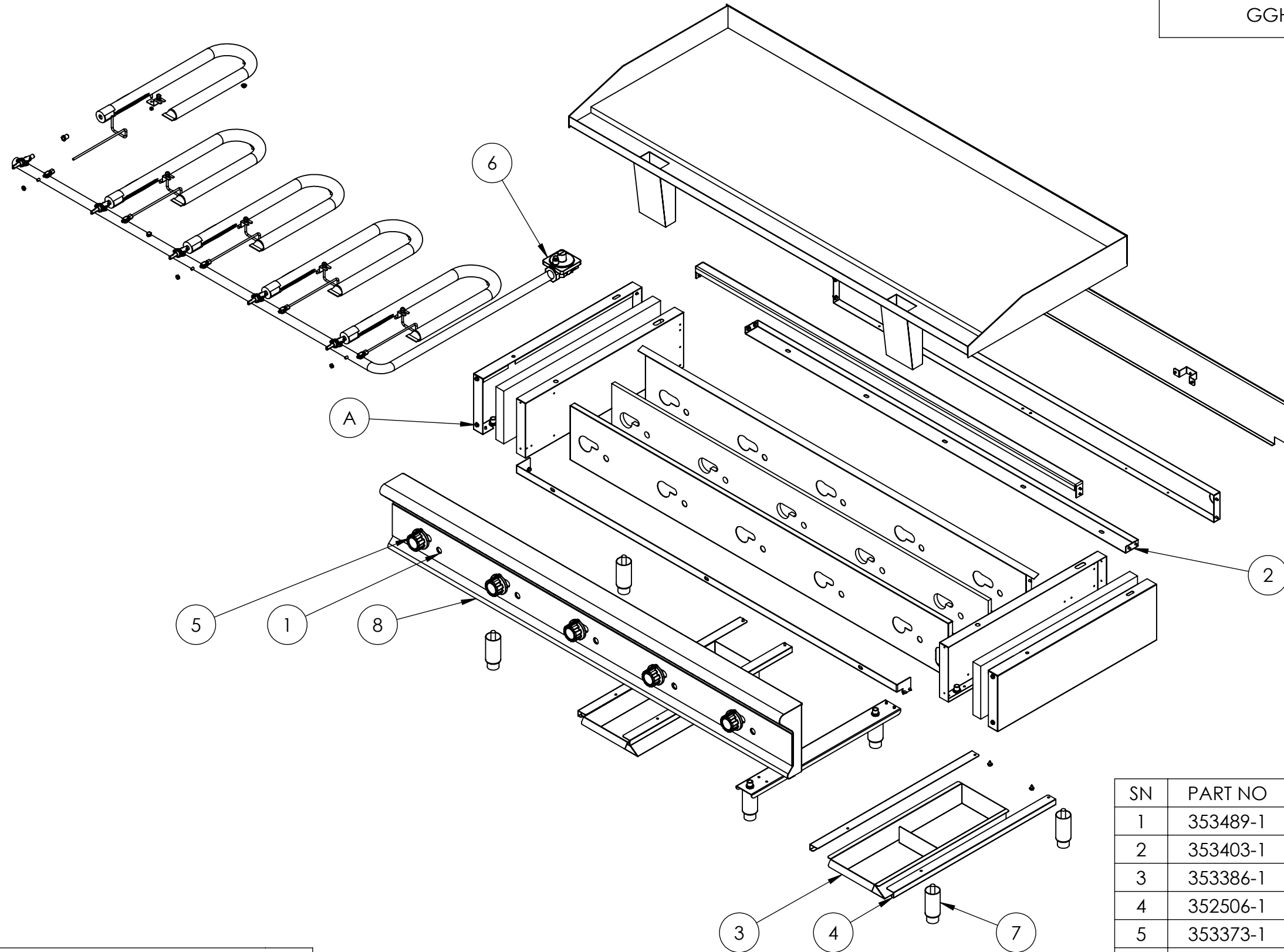
NOTE:

1. OUTPUT IS 150,000 BTU.
2. UNIT SHOULD BE INSTALLED UNDER A HOOD IN ACCORDANCE WITH THE LATEST EDITION OF THE STANDARD FOR VENTILATION CONTROL AND FIRE PROTECTION OF COMMERCIAL COOKING OPERATIONS, NFPA 96.
3. STANDING PILOTS WITH A MANUAL BURNER CONTROL VALVE FOR EACH BURNER. 3/4" NPT GAS INLET.
4. UNIT WEIGHT IS:407.9 LBS.
5. MATERIALS: STAINLESS STEEL AND PRE-SEASONED CAST IRON.
6. CERTIFICATIONS:
 - 1.ANSI Z83.11:2016.
 - 2.CSA 1.8:2016.
 - 3.NSF/ANSI 4.



DIMENSIONS ARE IN INCHES (IN) UNLESS OTHERWISE NOTED.
DIMENSIONS IN BRACKETS ARE IN MILLIMETERS (MM) AND ARE FOR REFERENCE ONLY.

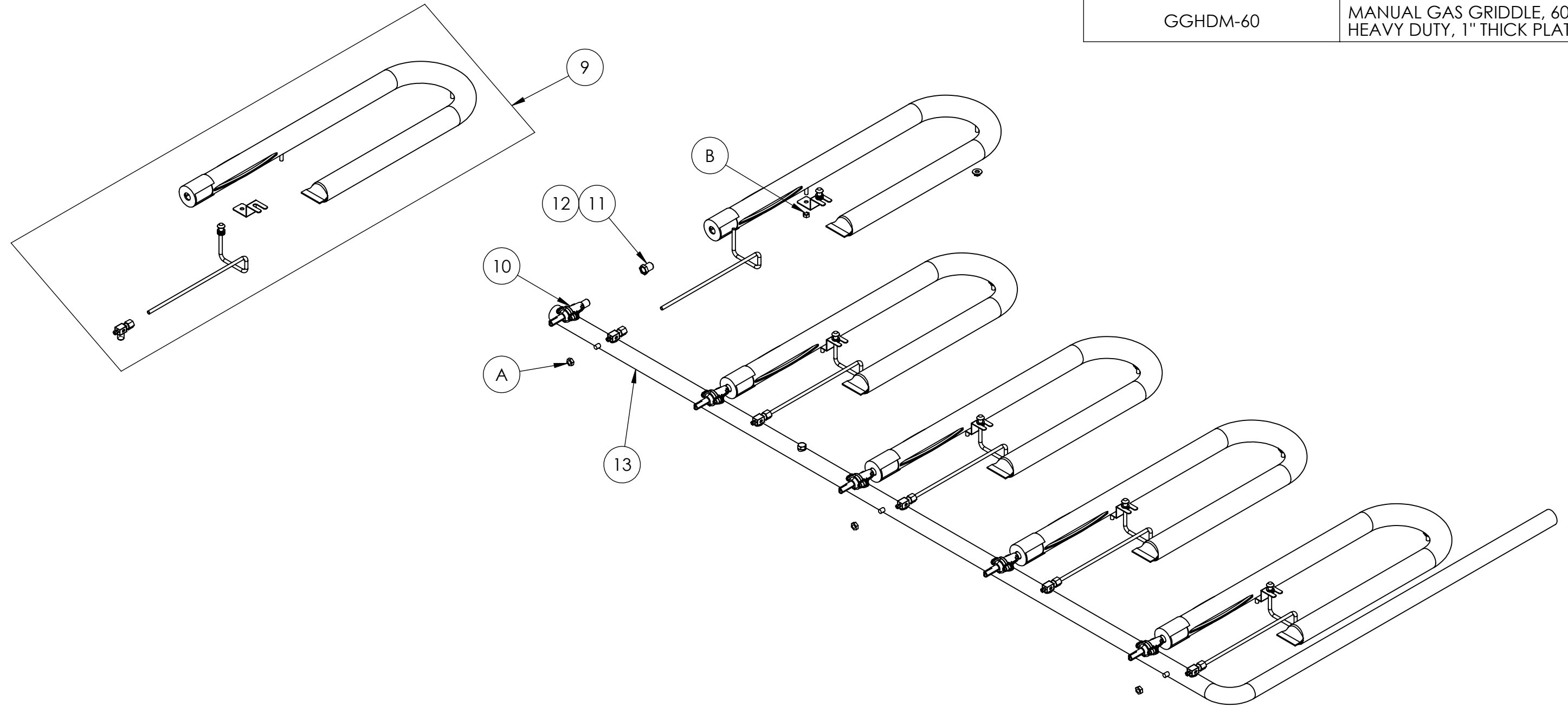
| ITEM NO./MODEL NO. | DESCRIPTION |
|--------------------|---|
| GGHDM-60 | MANUAL GAS GRIDDLE, 60", HEAVY DUTY, 1" THICK PLATE |



| HARDWARE (GENERAL SPECIFICATION) | | |
|----------------------------------|--------------------------------|-----|
| SN | DESCRIPTION | QTY |
| A | M5X0.8X10 SS TAP SCREW, FL HEX | 36 |

| SN | PART NO | DESCRIPTION | QTY |
|----|----------|-------------------------------|-----|
| 1 | 353489-1 | FASCIA - 60IN HDM GRIDDLE | 1 |
| 2 | 353403-1 | BURNER SUPPORT - 60IN GRIDDLE | 1 |
| 3 | 353386-1 | DRIP TRAY - GRIDDLE | 1 |
| 4 | 352506-1 | DRIP TRAY SUPPORTS - HD GD | 1 |
| 5 | 353373-1 | CONTROL KNOB LG INSERT | 5 |
| 6 | 352509-1 | REGULATOR 5IN WC | 1 |
| 7 | 353376-1 | LEG, GAS APPLIANCE | 6 |
| 8 | 354234-1 | GGHDM-60 FRONT PANEL ASSY | 1 |

| ITEM NO./MODEL NO. | DESCRIPTION |
|--------------------|---|
| GGHDM-60 | MANUAL GAS GRIDDLE, 60", HEAVY DUTY, 1" THICK PLATE |



*NOTE: ONLY ONE TYPE OF ORIFICE IS REQUIRED, 2.44MM FOR NATURAL GAS OR 1.65MM FOR LP

| HARDWARE (GENERAL SPECIFICATION) | | |
|----------------------------------|---------------------|-----|
| SN | DESCRIPTION | QTY |
| A | M6X1X5 SS HEX NUT | 3 |
| B | M5X0.8X4 SS HEX NUT | 10 |

| SN | PART NO | DESCRIPTION | QTY |
|----|----------|----------------------------------|-----|
| 9 | 353463-1 | BURNER/PILOT ASSY - HDM GAS GRID | 5 |
| 10 | 354211-1 | 1.2MM MANUAL CONTROL VALVE | 5 |
| 11 | 353387-1 | 2.44MM BRASS ORIFICE * | 5 |
| 12 | 353441-1 | 1.65MM BRASS ORIFICE * | 5 |
| 13 | 353469-1 | MANIFOLD - 60IN HDM GRIDDLE | 1 |