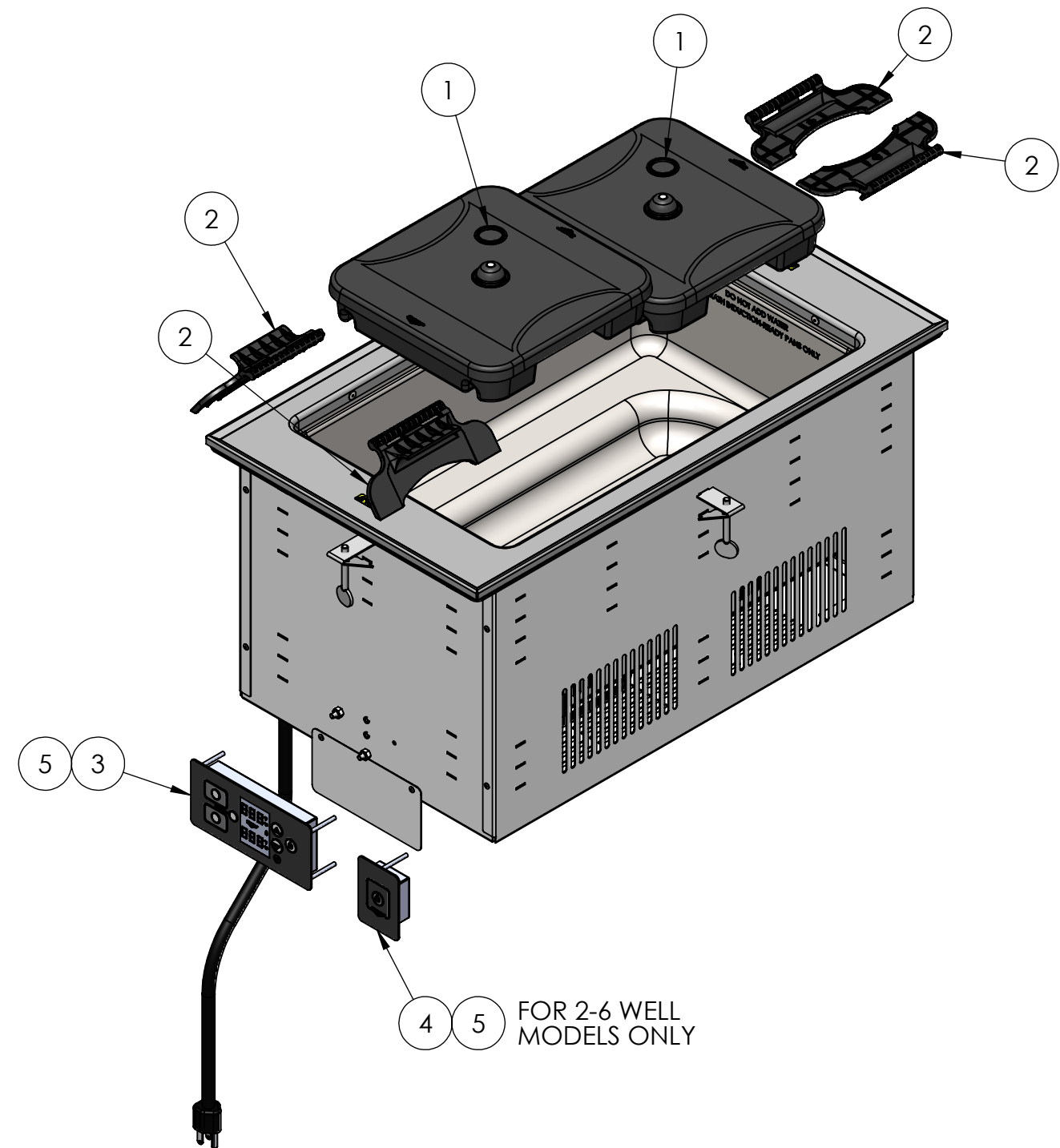


### REPLACEMENT PARTS

ITEM NO.	PART NUMBER	DESCRIPTION
1	2520016-1	IND. WELL PLUNGER GASKET
2	350180-105-1	IND. WELL POD LEG
3	350182-1	IND. WELL CONTROL BOX
4	350181-1	MASTER POWER SWITCH

### FASTENERS (GENERAL SPECIFICATION)

ITEM NO.	DESCRIPTION
5	NUT-LOCK, #10-32



CUSTOMER SERVICEABLE PARTS