

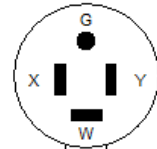


# 1 WELL HOT COLD DROP-IN WIRING/LOGIC DIAGRAM 120, 208-240V

**WARNING – REQUIRED NEMA 14-20R RECEPTACLE MUST BE WIRED ACCORDINGLY OR CONDENSING UNIT / AUXILIARY COMPONENT DAMAGE WILL RESULT – WARRANTY WILL BE VOID. TEST RECEPTACLE PER THE FOLLOWING:**

G, GROUND  
X, LINE 1  
Y, LINE 2  
W, NEUTRAL

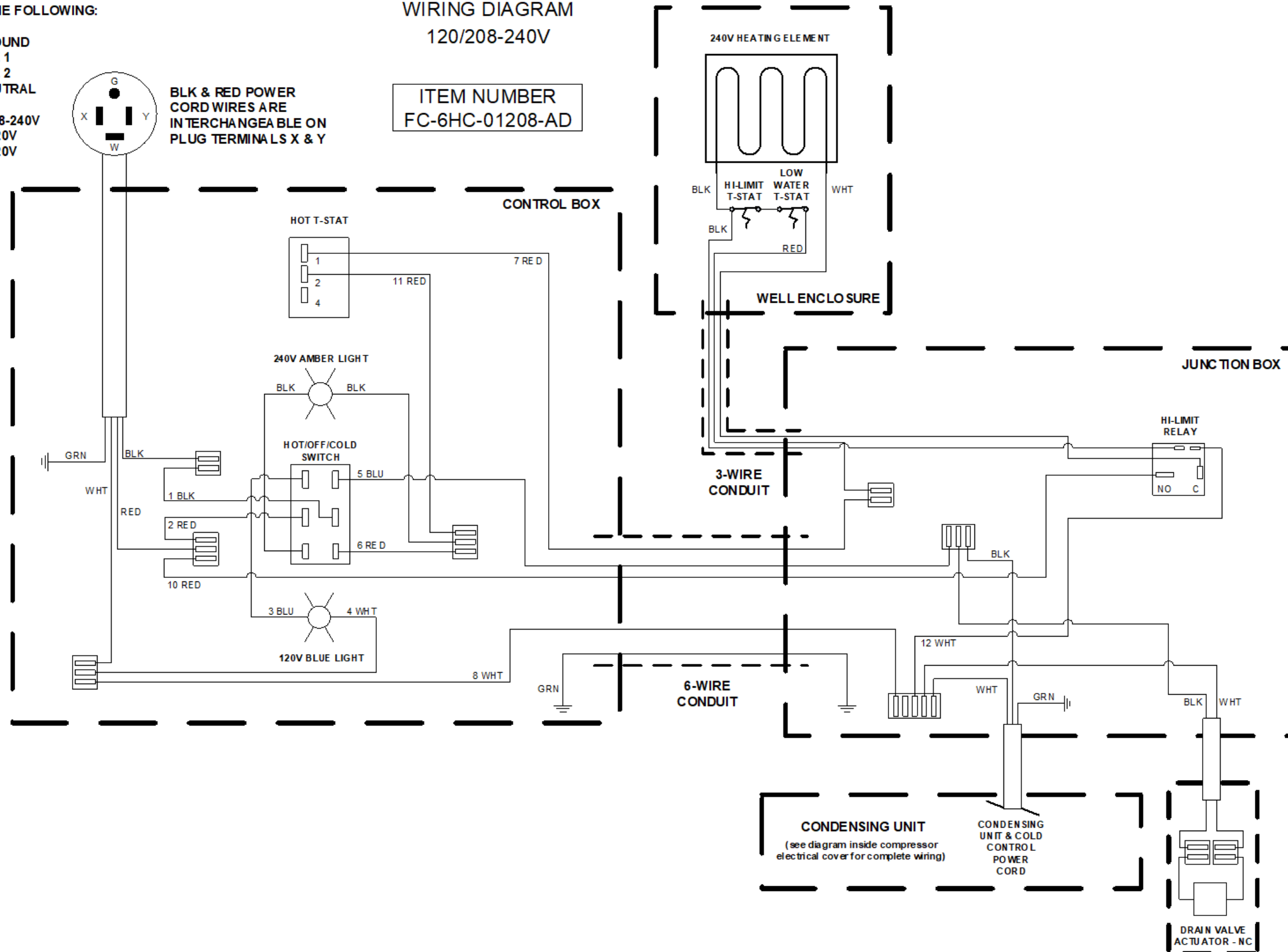
X-Y, 208-240V  
X-W, 120V  
Y-W, 120V



BLK & RED POWER CORD WIRES ARE INTERCHANGEABLE ON PLUG TERMINALS X & Y

## 1 WELL HOT & COLD WIRING DIAGRAM 120/208-240V

ITEM NUMBER  
FC-6HC-01208-AD



1 WELL HOT & COLD  
120/208-240V LADDER LOGIC DIAGRAM

