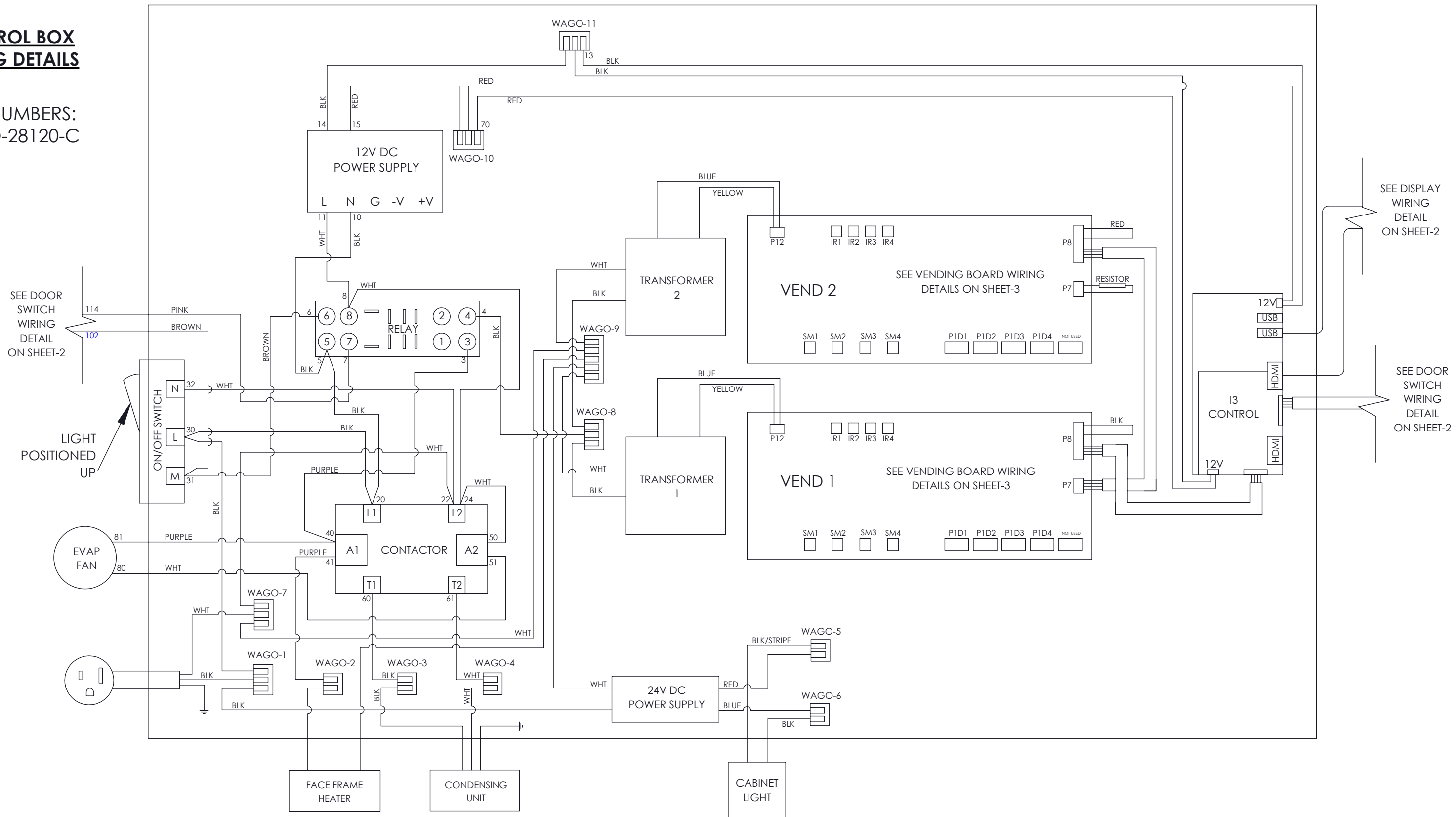


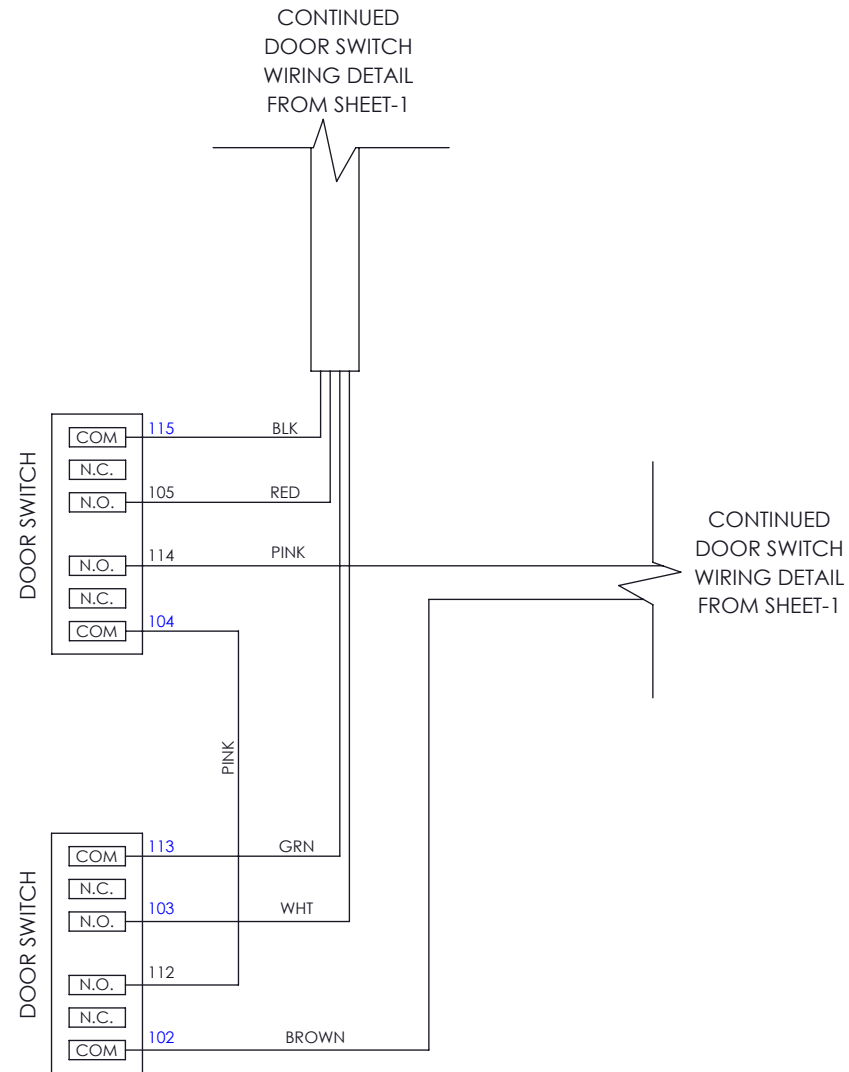


CONTROL BOX WIRING DETAILS

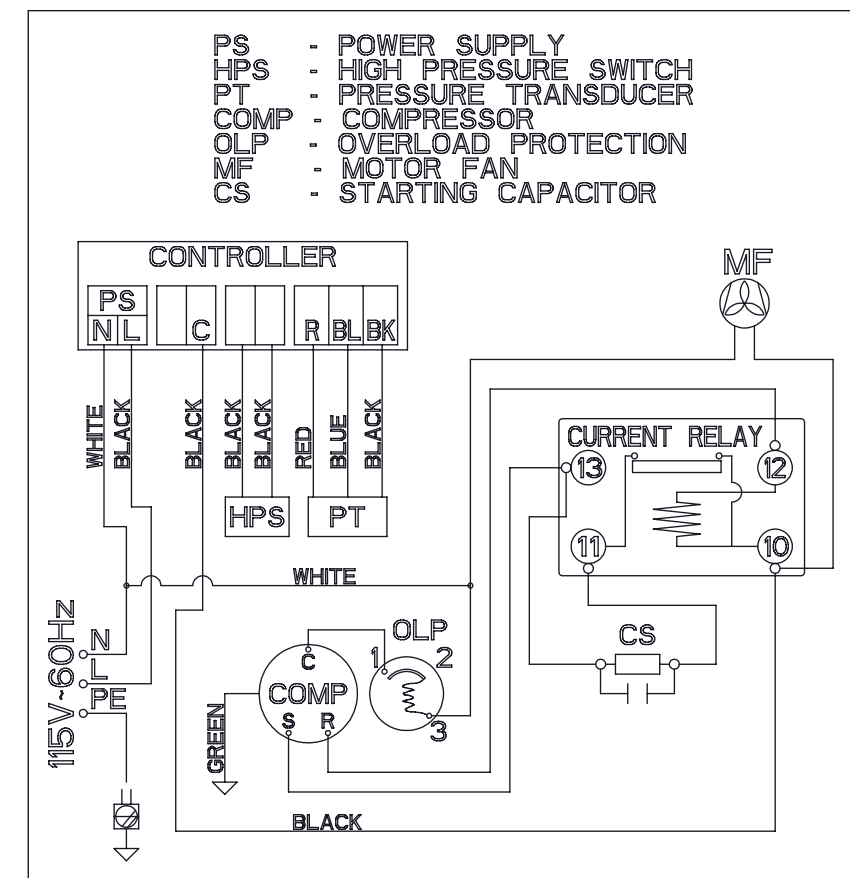
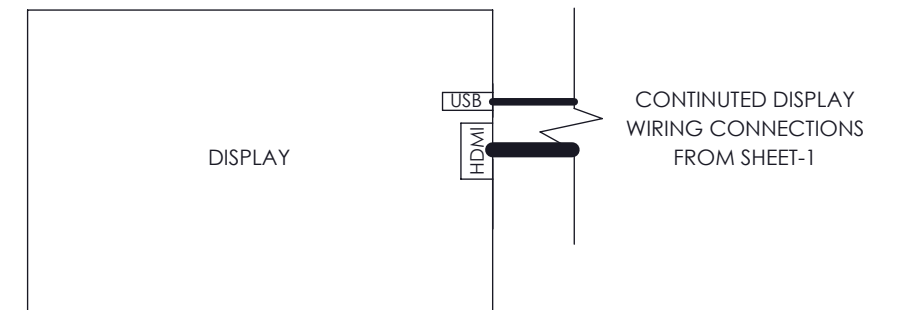
ITEM NUMBERS:
FC-4TD-28120-C



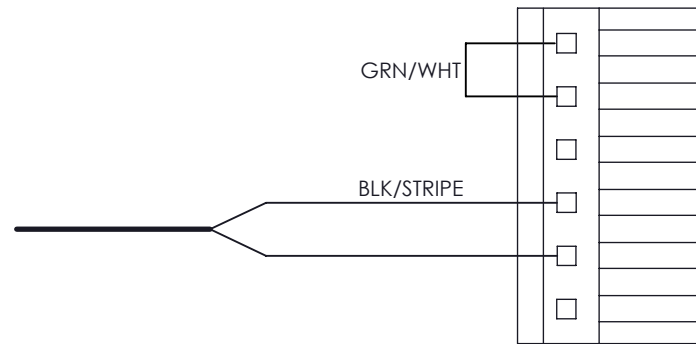
DOOR SWITCH WIRING DETAILS



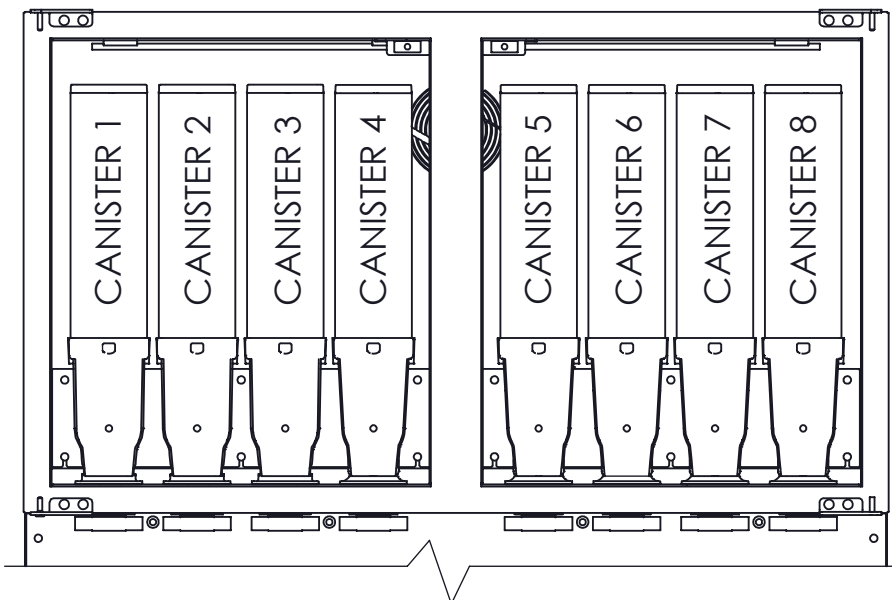
DISPLAY WIRING DETAILS



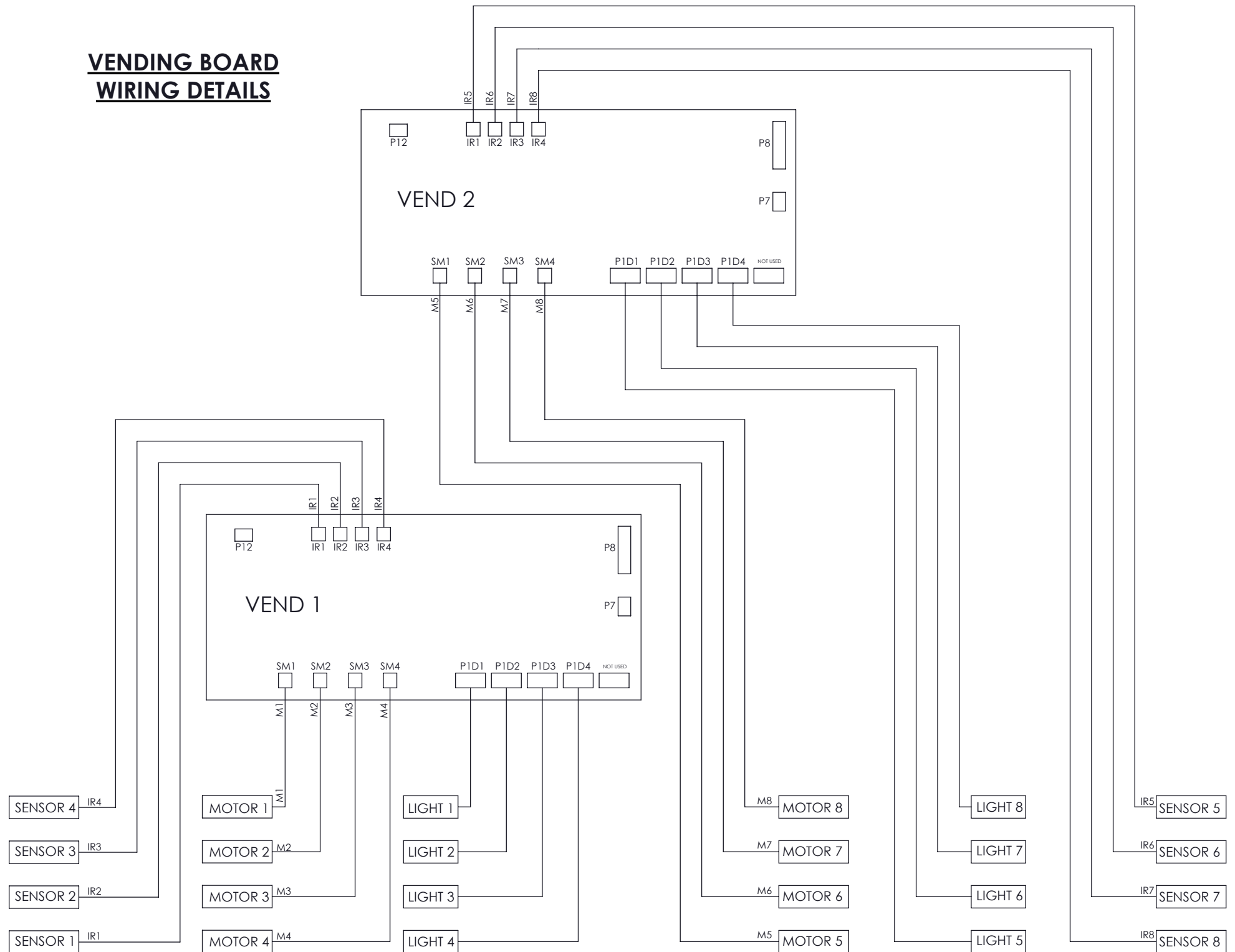
**LED DISPENSING LIGHT
CONNECTOR DETAIL**



CANISTER POSITIONS IN UNIT



**VENDING BOARD
WIRING DETAILS**



LOGIC DIAGRAM
FC-4TD-28120-C

Power Cord 5-15P

