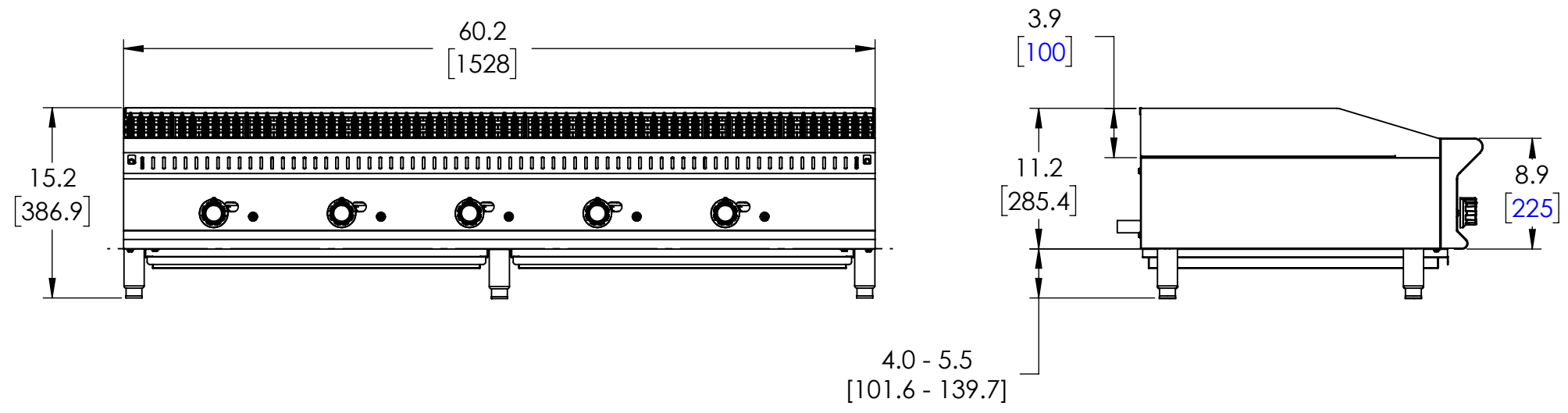


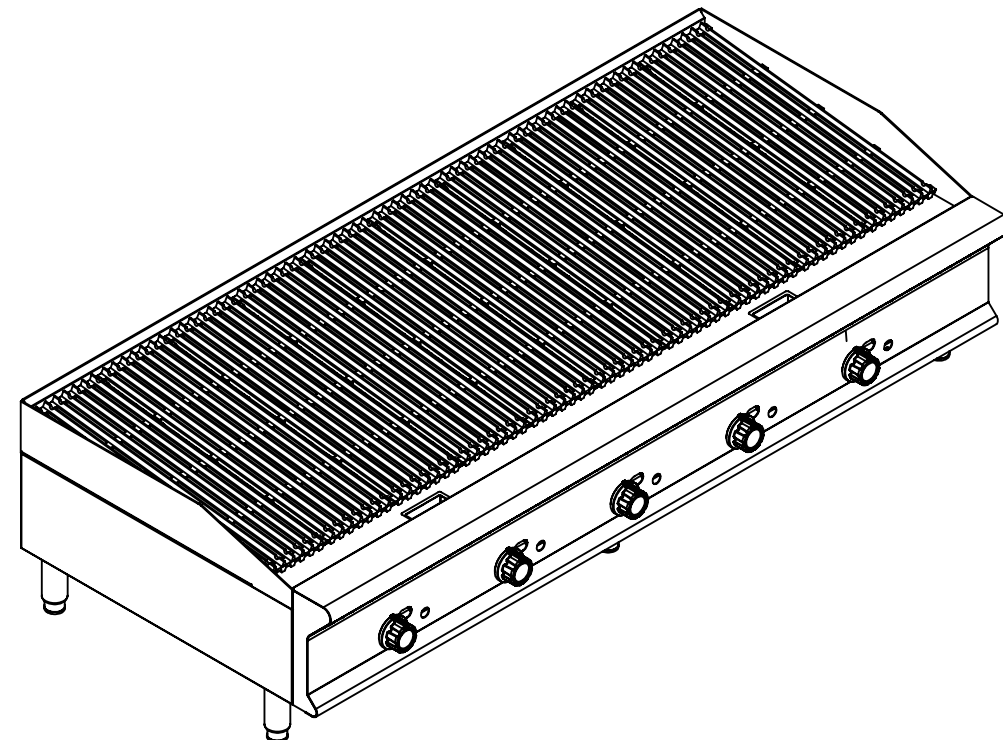
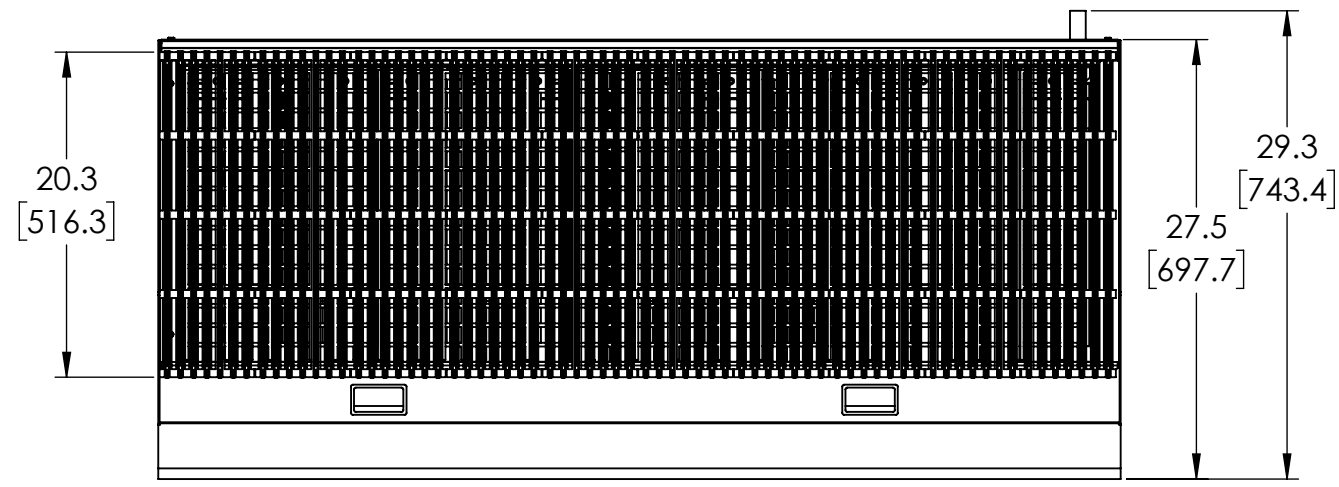
VOLLRATH GAS CHARBROILER, 60"

ITEM NO./MODEL NO.	DESCRIPTION
CBGMD-60	GAS CHARBROILER, 60"



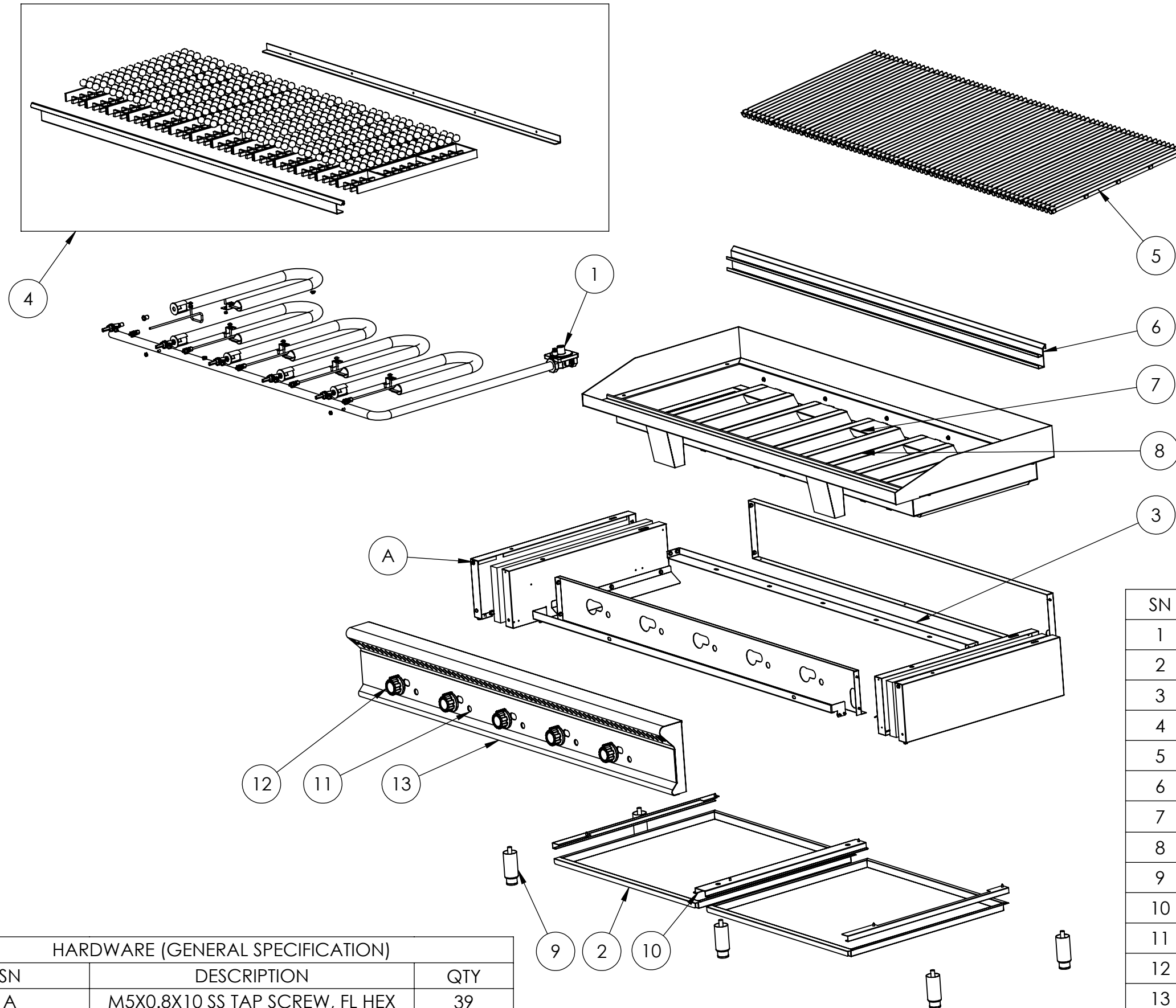
NOTE:

1. OUTPUT IS 200,000 BTU.
2. UNIT SHOULD BE INSTALLED UNDER A HOOD IN ACCORDANCE WITH THE LATEST EDITION OF THE STANDARD FOR VENTILATION CONTROL AND FIRE PROTECTION OF COMMERCIAL COOKING OPERATIONS, NFPA 96.
3. STANDING PILOTS WITH A MANUAL BURNER CONTROL VALVE FOR EACH BURNER. 3/4" NPT GAS INLET.
4. UNIT WEIGHT IS: 242.5 LBS.
5. MATERIALS: STAINLESS STEEL AND PRE-SEASONED CAST IRON.
6. CERTIFICATIONS:
 1. ANSI Z83.11:2016.
 2. CSA 1.8:2016.
 3. NSF/ANSI 4.



DIMENSIONS ARE IN INCHES (IN) UNLESS OTHERWISE NOTED.
 DIMENSIONS IN BRACKETS ARE IN MILLIMETERS (MM) AND ARE FOR REFERENCE ONLY.

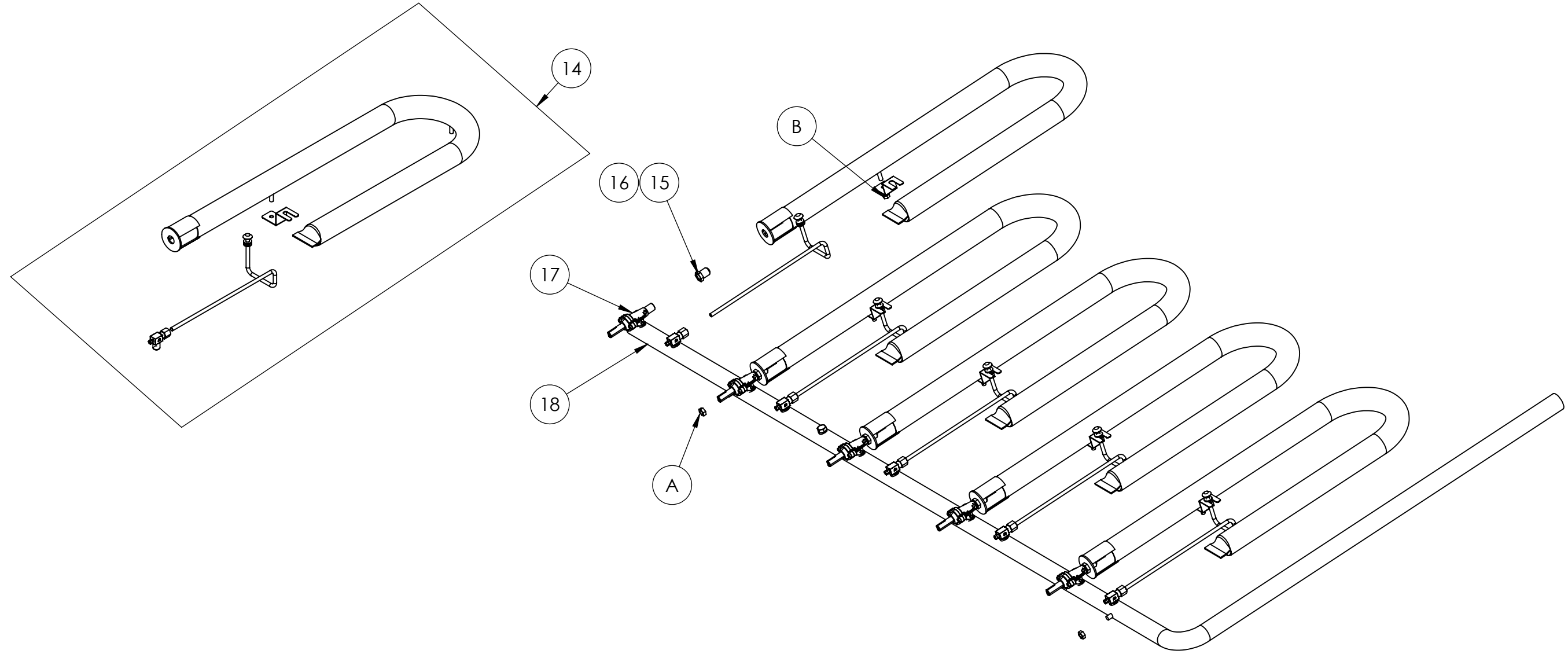
ITEM NO./MODEL NO.	DESCRIPTION
CBGMD-60	GAS CHARBROILER, 60"



SN	PART NO	DESCRIPTION	QTY
1	352509-1	REGULATOR 5IN WC	1
2	353434-1	DRIP TRAY - 60IN CB	2
3	353403-1	BURNER SUPPORT - 60IN GRIDDLE	1
4	353435-1	LAVA ROCK KIT - 60IN CB	1
5	353417-1	MDCB COOKING GRATE	10
6	353436-1	GRATE SUPPORT - 60IN MDCB	1
7	353419-1	MDCB BURNER COVER (SHORT)	5
8	353418-1	MDCB BURNER COVER (LONG)	10
9	353376-1	LEG, GAS APPLIANCE	6
10	353482-1	DRIP TRAY SUPPORT, CB 60-72	1
11	353433-1	FASCIA - 60IN MD CHARBROIL	1
12	353373-1	CONTROL KNOB LG INSERT	5
13	354230-1	CBGMD-60 FRONT PANEL ASSY	1

HARDWARE (GENERAL SPECIFICATION)		
SN	DESCRIPTION	QTY
A	M5X0.8X10 SS TAP SCREW, FL HEX	39

ITEM NO./MODEL NO.	DESCRIPTION
CBGMD-60	GAS CHARBROILER, 60"



*NOTE: ONLY ONE TYPE OF ORIFICE IS REQUIRED, 3.0MM FOR NATURAL GAS OR 2.0MM FOR LP

HARDWARE (GENERAL SPECIFICATION)		
SN	DESCRIPTION	QTY
A	M6X1X5 SS HEX NUT	2
B	M5X0.8X4 SS HEX NUT	10

SN	PART NO	DESCRIPTION	QTY
14	353385-1	BURNER/PILOT ASSY - MDM GAS GR	5
15	353464-1	3.00MM BRASS ORIFICE *	5
16	353465-1	2.00MM BRASS ORIFICE *	5
17	353367-1	MANUAL CONTROL VALVE	5
18	352505-1	MANIFOLD - 60IN MDM GRIDDLE	1