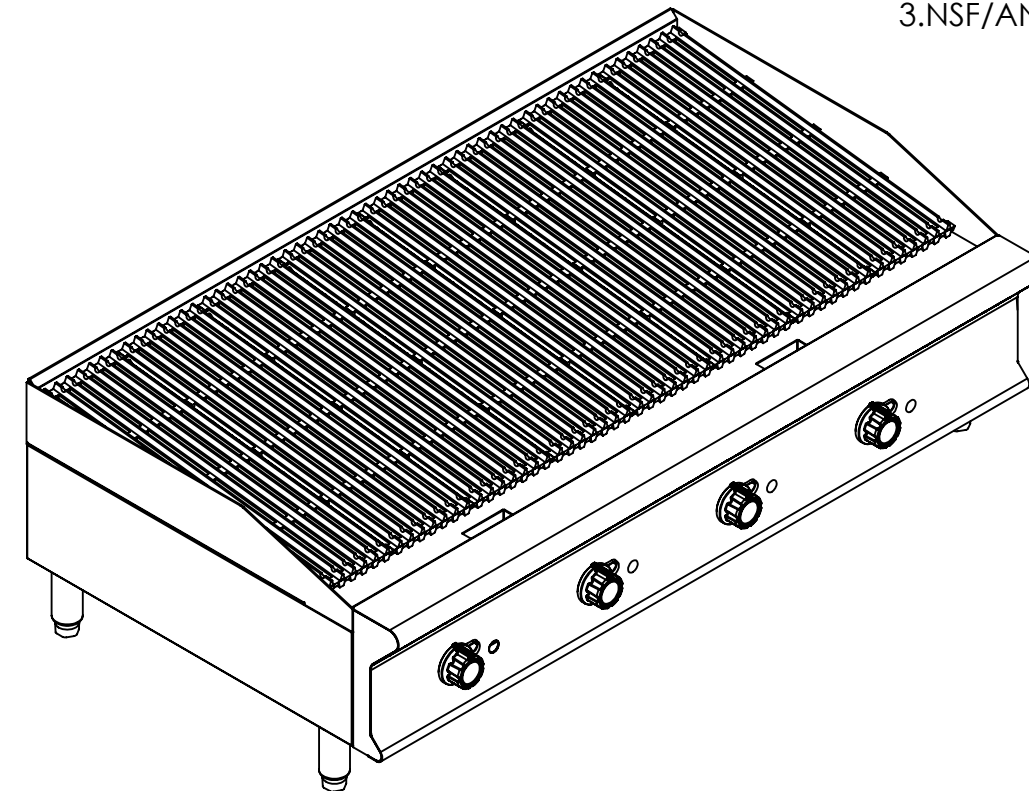
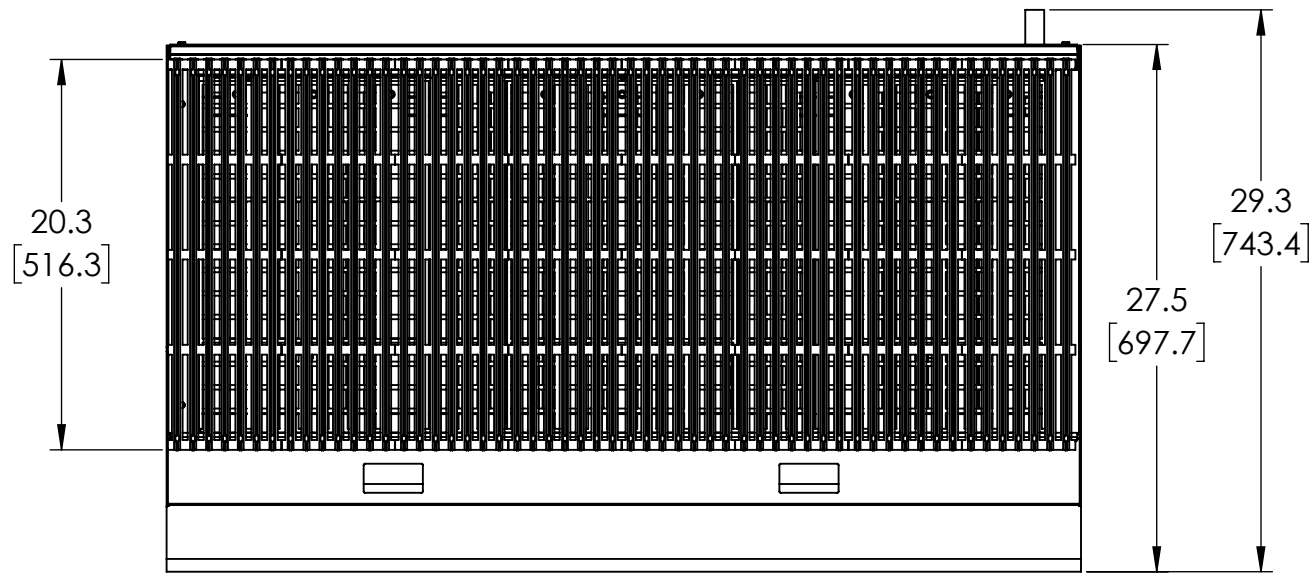
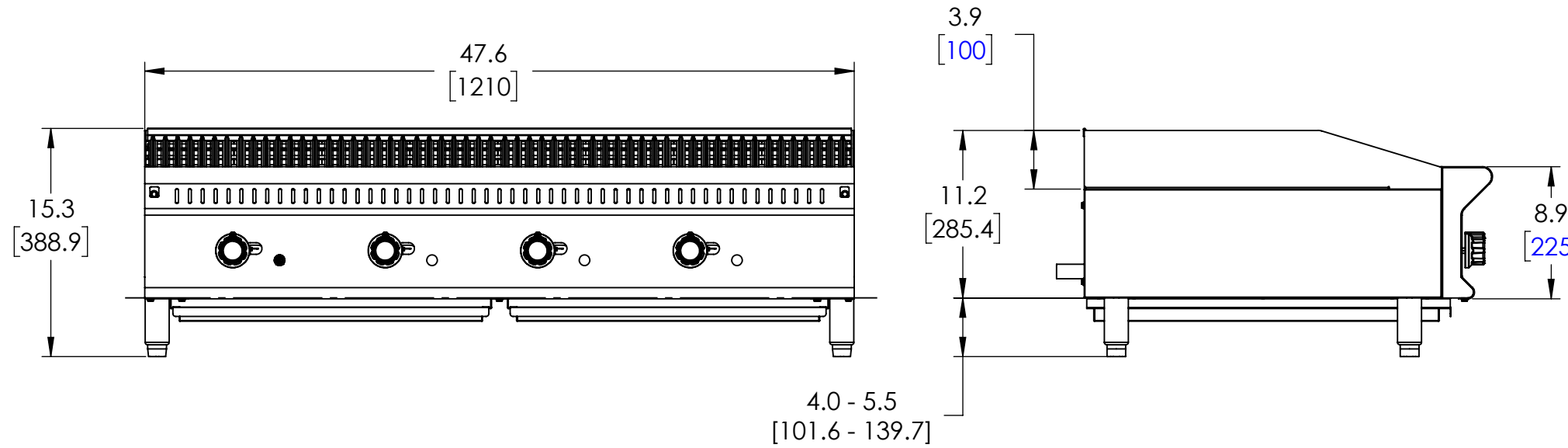


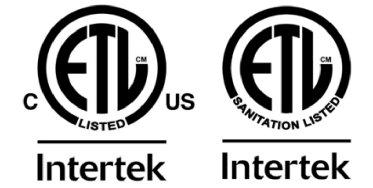
VOLLRATH GAS CHARBROILER, 48"

ITEM NO./MODEL NO.	DESCRIPTION
CBGMD-48	GAS CHARBROILER, 48"



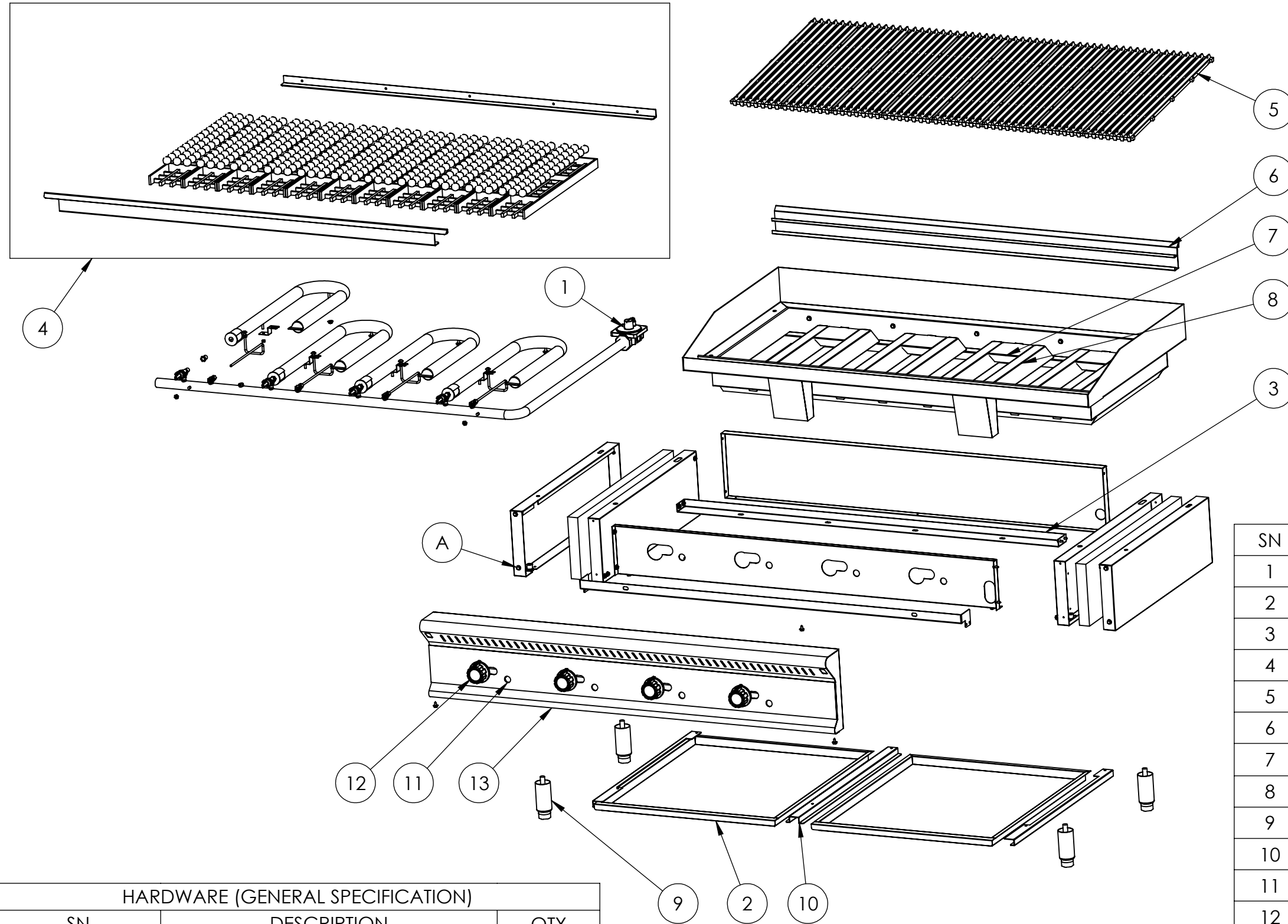
NOTE:

1. OUTPUT IS 160,000 BTU.
2. UNIT SHOULD BE INSTALLED UNDER A HOOD IN ACCORDANCE WITH THE LATEST EDITION OF THE STANDARD FOR VENTILATION CONTROL AND FIRE PROTECTION OF COMMERCIAL COOKING OPERATIONS, NFPA 96.
3. STANDING PILOTS WITH A MANUAL BURNER CONTROL VALVE FOR EACH BURNER. 3/4" NPT GAS INLET.
4. UNIT WEIGHT IS: 198.4 LBS.
5. MATERIALS: STAINLESS STEEL AND PRE-SEASONED CAST IRON.
6. CERTIFICATIONS:
 1. ANSI Z83.11:2016.
 2. CSA 1.8:2016.
 3. NSF/ANSI 4.



DIMENSIONS ARE IN INCHES (IN) UNLESS OTHERWISE NOTED.
 DIMENSIONS IN BRACKETS ARE IN MILLIMETERS (MM) AND ARE FOR REFERENCE ONLY.

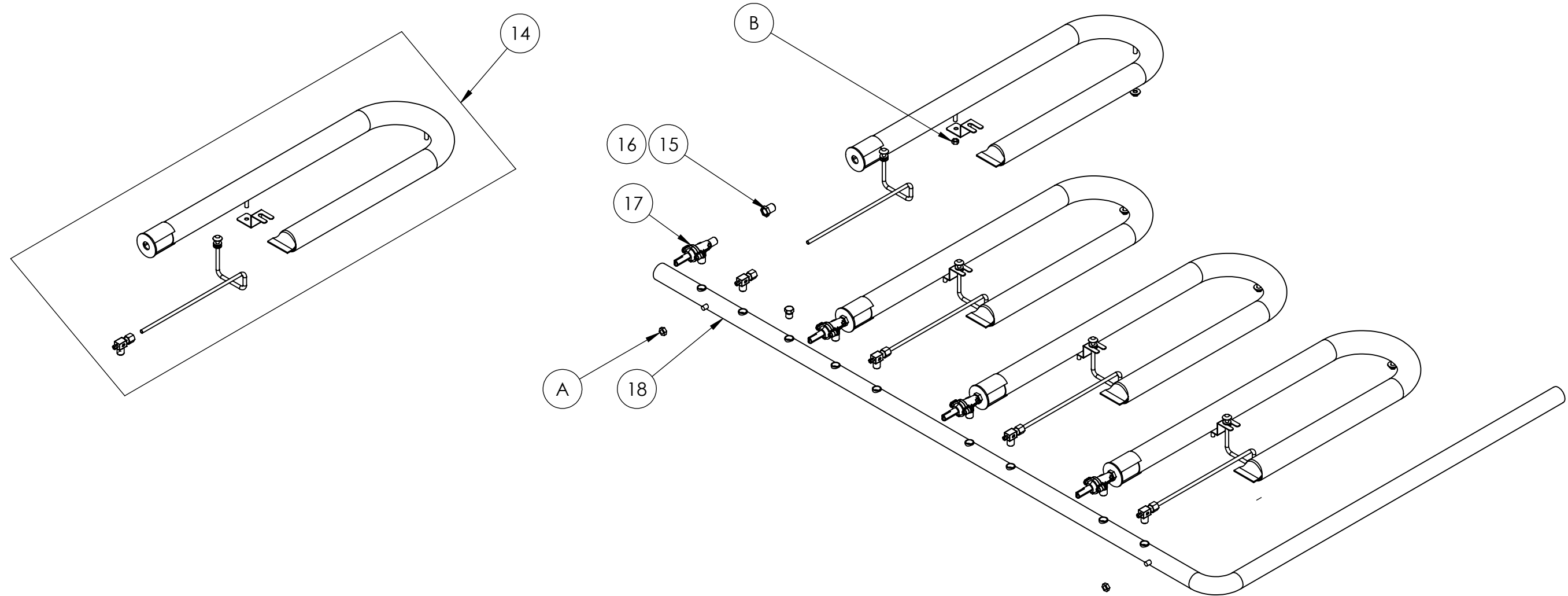
ITEM NO./MODEL NO.	DESCRIPTION
CBGMD-48	GAS CHARBROILER, 48"



SN	PART NO	DESCRIPTION	QTY
1	352509-1	REGULATOR 5IN WC	1
2	353378-1	DRIP TRAY - 24IN HP-MDCB	2
3	353400-1	BURNER SUPPORT - 48IN GRIDDLE	1
4	353431-1	LAVA ROCK KIT - 48IN CB	1
5	353417-1	MDCB COOKING GRATE	8
6	353432-1	GRATE SUPPORT - 48IN MDCB	1
7	353419-1	MDCB BURNER COVER (SHORT)	4
8	353418-1	MDCB BURNER COVER (LONG)	8
9	353376-1	LEG, GAS APPLIANCE	4
10	356081-1	DRIP TRAY SUPPORT, CB 48	1
11	353430-1	FASCIA - 48IN MD CHARBROIL	1
12	353373-1	CONTROL KNOB LG INSERT	4
13	354229-1	CBGMD-48 FRONT PANEL ASSY	1

HARDWARE (GENERAL SPECIFICATION)		
SN	DESCRIPTION	QTY
A	M5X0.8X10 SS TAP SCREW, FL HEX	37

ITEM NO./MODEL NO.	DESCRIPTION
CBGMD-48	GAS CHARBROILER, 48"



*NOTE: ONLY ONE TYPE OF ORIFICE IS REQUIRED, 3.0MM FOR NATURAL GAS OR 2.0MM FOR LP

HARDWARE (GENERAL SPECIFICATION)		
SN	DESCRIPTION	QTY
A	M6X1X5 SS HEX NUT	2
B	M5X0.8X4 SS HEX NUT	8

SN	PART NO	DESCRIPTION	QTY
14	353385-1	BURNER/PILOT ASSY - MDM GAS GR	4
15	353464-1	3.00MM BRASS ORIFICE *	4
16	353465-1	2.00MM BRASS ORIFICE *	4
17	353367-1	MANUAL CONTROL VALVE	4
18	353401-1	MANIFOLD - 48IN MDM GRIDDLE	1