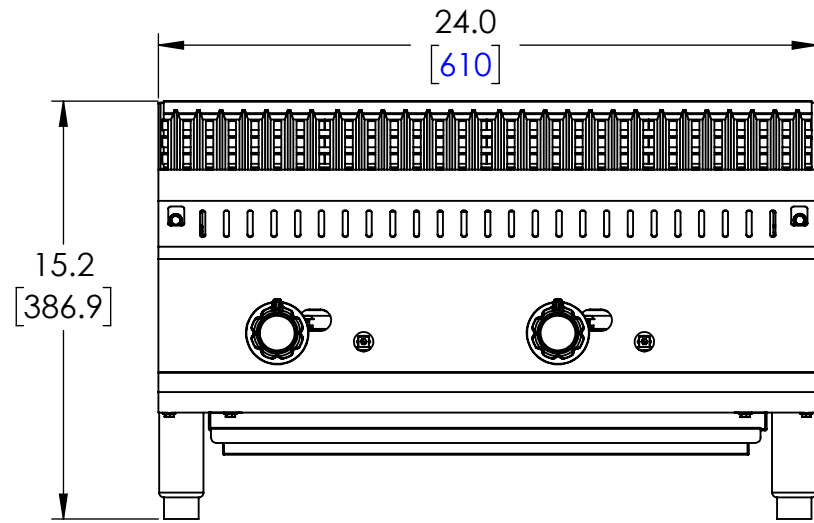
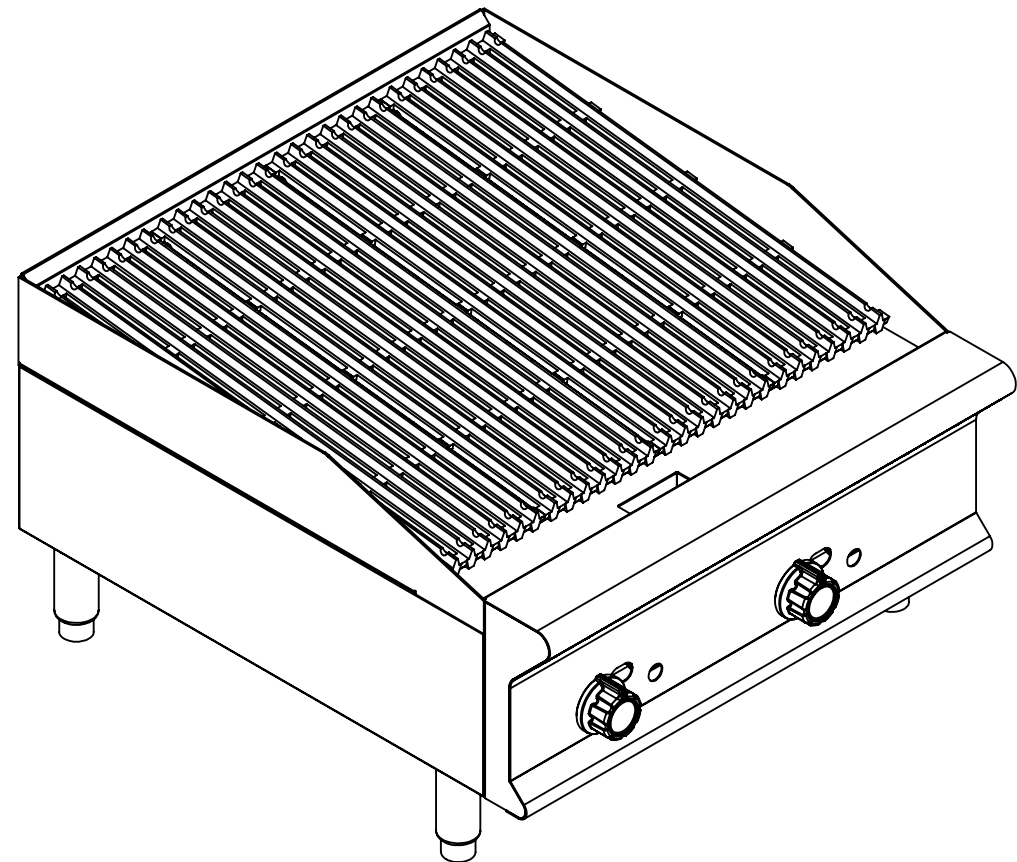
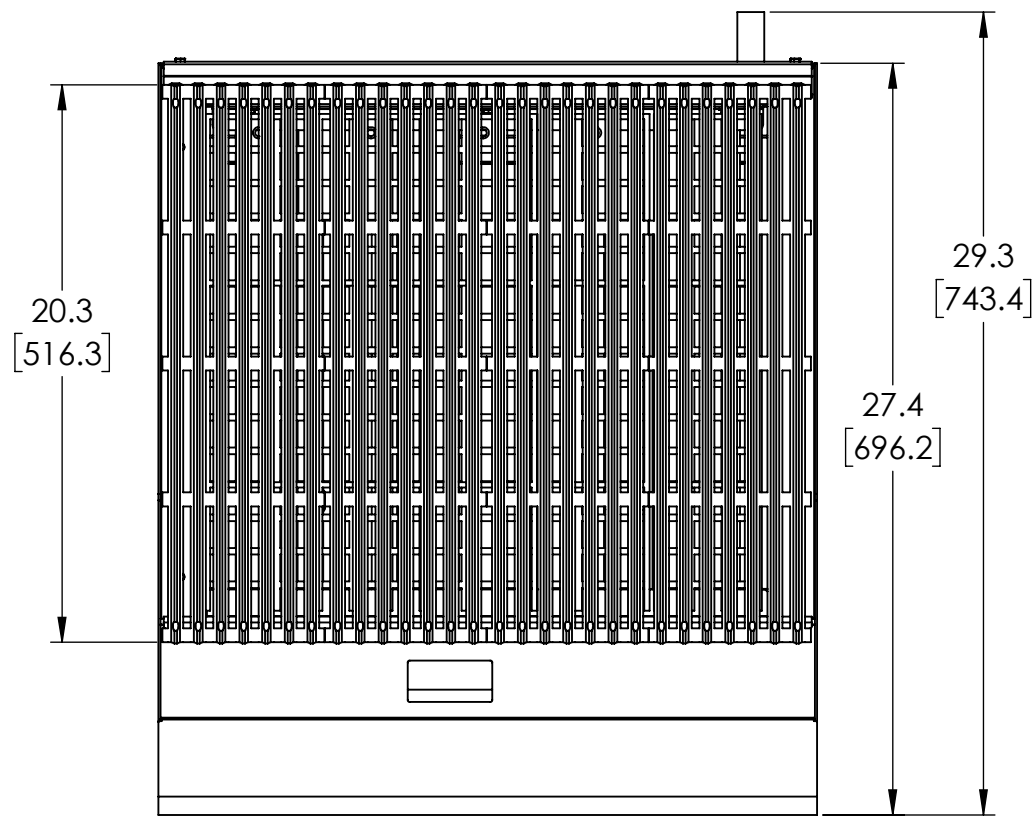
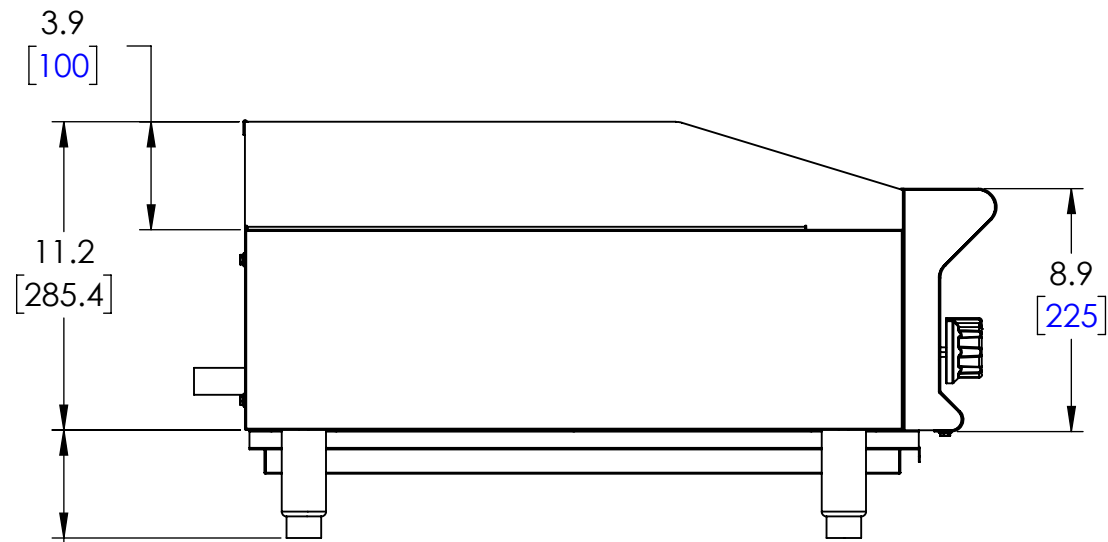


VOLLRATH GAS CHARBROILER, 24"



4.0 - 5.5
[101.6 - 139.7]



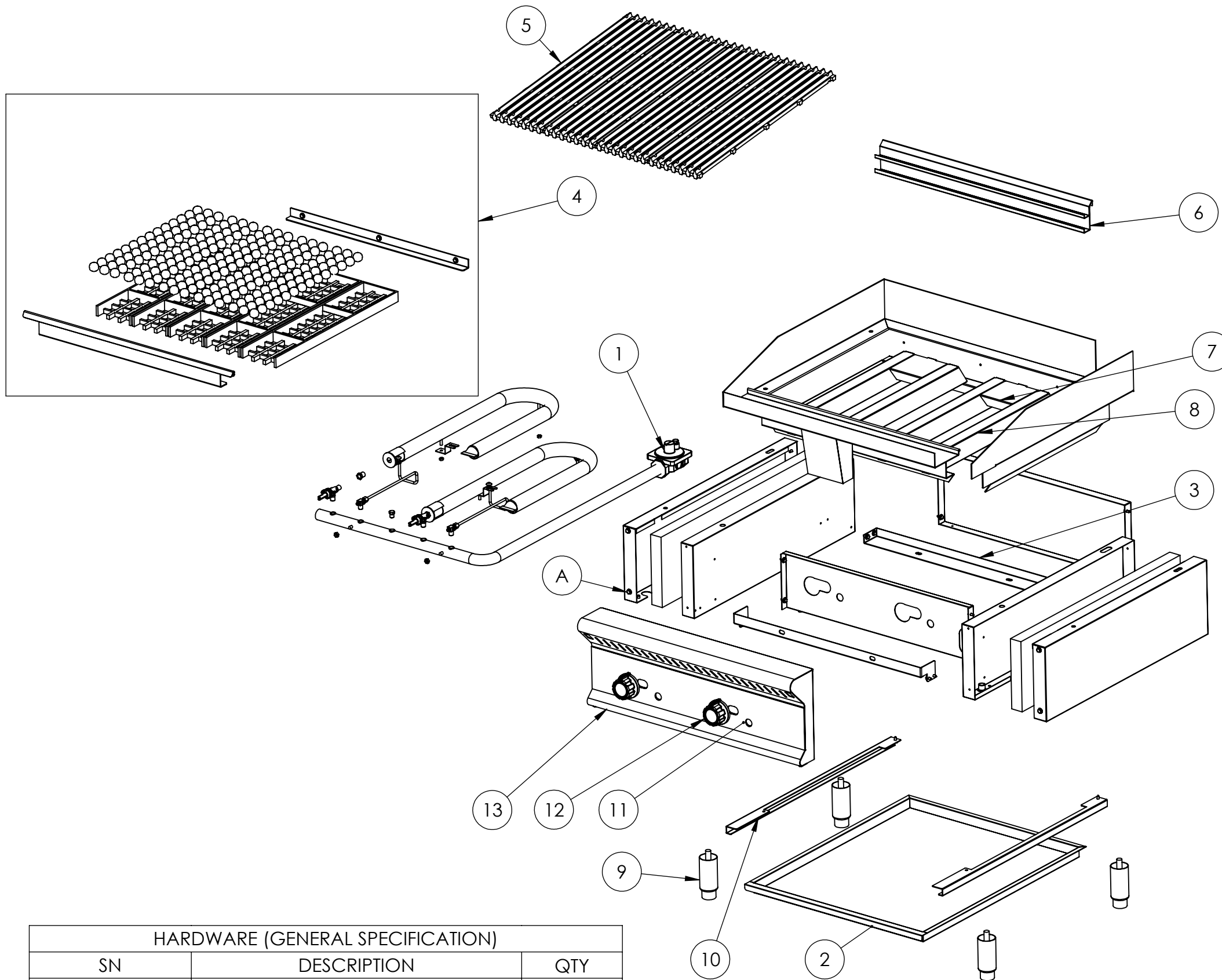
ITEM NO./MODEL NO.	DESCRIPTION
CBGMD-24	GAS CHARBROILER, 24"

- NOTE:
1. OUTPUT IS 80,000 BTU.
 2. UNIT SHOULD BE INSTALLED UNDER A HOOD IN ACCORDANCE WITH THE LATEST EDITION OF THE STANDARD FOR VENTILATION CONTROL AND FIRE PROTECTION OF COMMERCIAL COOKING OPERATIONS, NFPA 96.
 3. STANDING PILOTS WITH A MANUAL BURNER CONTROL VALVE FOR EACH BURNER. 3/4" NPT GAS INLET.
 4. UNIT WEIGHT IS: 111.3 LBS.
 5. MATERIALS: STAINLESS STEEL AND PRE-SEASONED CAST IRON.
 6. CERTIFICATIONS:
 1. ANSI Z83.11:2016.
 2. CSA 1.8:2016.
 3. NSF/ANSI 4.



DIMENSIONS ARE IN INCHES (IN) UNLESS OTHERWISE NOTED.
DIMENSIONS IN BRACKETS ARE IN MILLIMETERS (MM) AND ARE FOR REFERENCE ONLY.

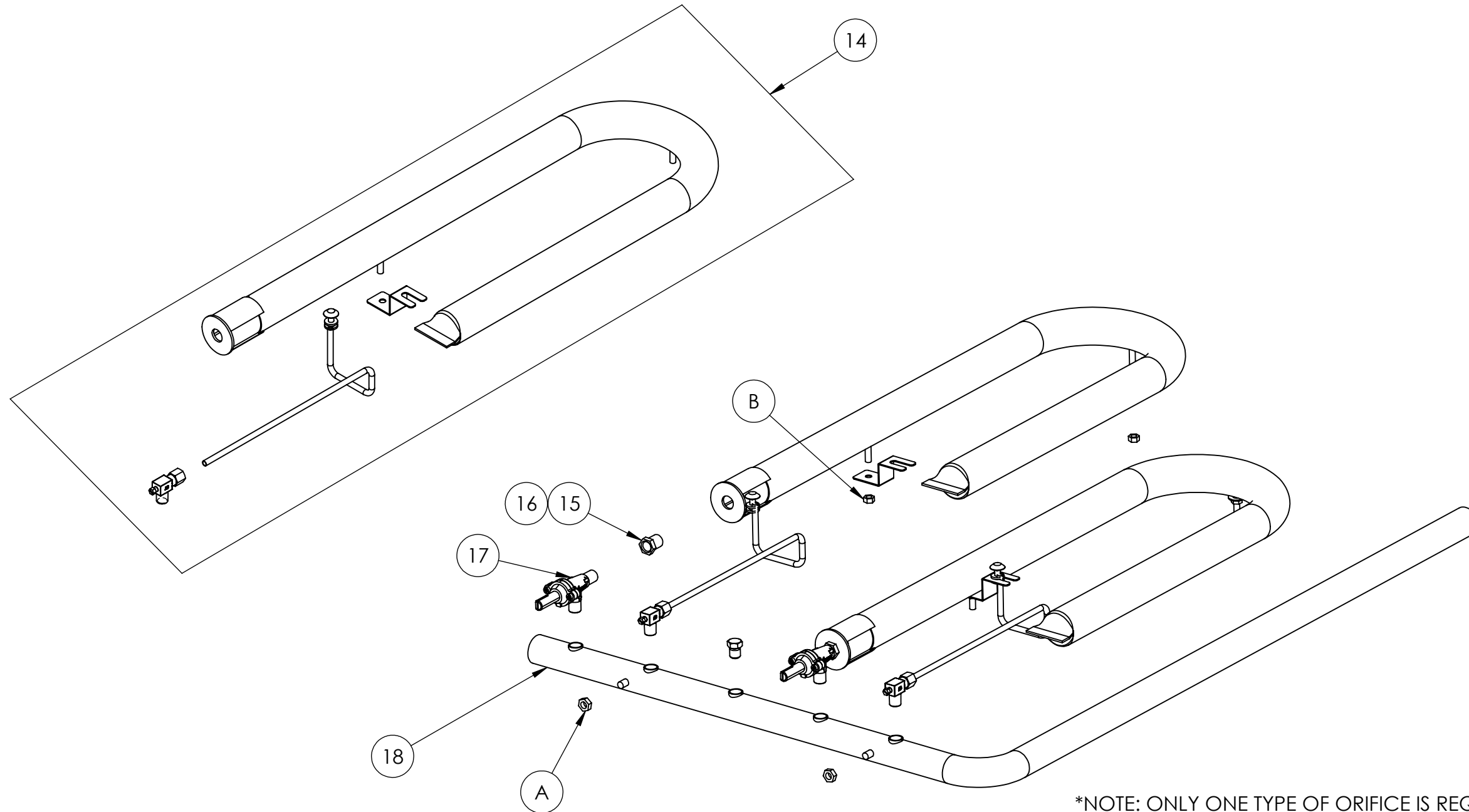
ITEM NO./MODEL NO.	DESCRIPTION
CBGMD-24	GAS CHARBROILER, 24"



HARDWARE (GENERAL SPECIFICATION)		
SN	DESCRIPTION	QTY
A	M5X0.8X10 SS TAP SCREW, FL HEX	34

SN	PART NO	DESCRIPTION	QTY
1	352509-1	REGULATOR 5IN WC	1
2	353378-1	DRIP TRAY - 24IN HP-MDCB	1
3	353394-1	BURNER SUPPORT - 24IN GRIDDLE	1
4	353425-1	LAVA ROCK KIT - 24IN CB	1
5	353417-1	MDCB COOKING GRATE	4
6	353426-1	GRATE SUPPORT - 24IN MDCB	1
7	353419-1	MDCB BURNER COVER (SHORT)	2
8	353418-1	MDCB BURNER COVER (LONG)	4
9	353376-1	LEG, GAS APPLIANCE	4
10	353483-1	DRIP TRAY SUPPORT, MDCB	1
11	353424-1	FASCIA - 24IN MD CHARBROIL	1
12	353373-1	CONTROL KNOB LG INSERT	2
13	354227-1	CBGMD-24 FRONT PANEL ASSY	1

ITEM NO./MODEL NO.	DESCRIPTION
CBGMD-24	GAS CHARBROILER, 24"



*NOTE: ONLY ONE TYPE OF ORIFICE IS REQUIRED, 3.0MM FOR NATURAL GAS OR 2.0MM FOR LP

HARDWARE (GENERAL SPECIFICATION)		
SN	DESCRIPTION	QTY
A	M6X1X5 SS HEX NUT	2
B	M5X0.8X4 SS HEX NUT	4

SN	PART NO	DESCRIPTION	QTY
14	353385-1	BURNER/PILOT ASSY - MDM GAS GR	2
15	353464-1	3.00MM BRASS ORIFICE *	2
16	353465-1	2.00MM BRASS ORIFICE *	2
17	353367-1	MANUAL CONTROL VALVE	2
18	353395-1	MANIFOLD - 24IN MDM GRIDDLE	1