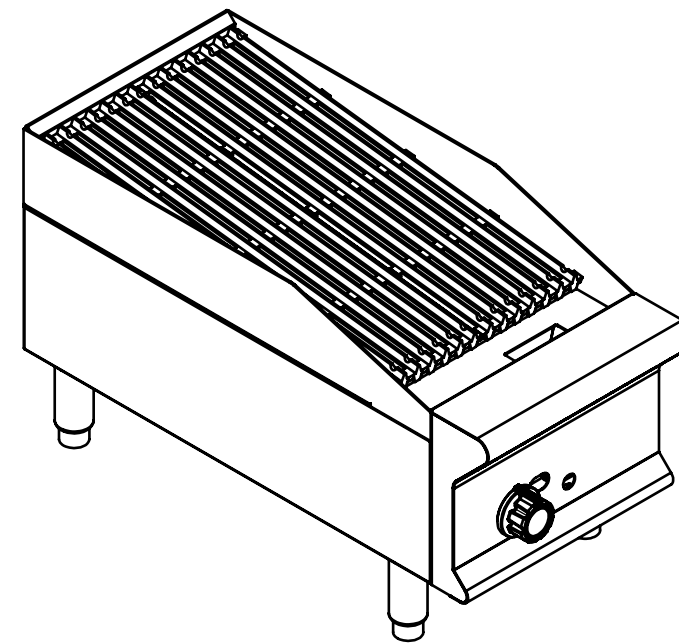
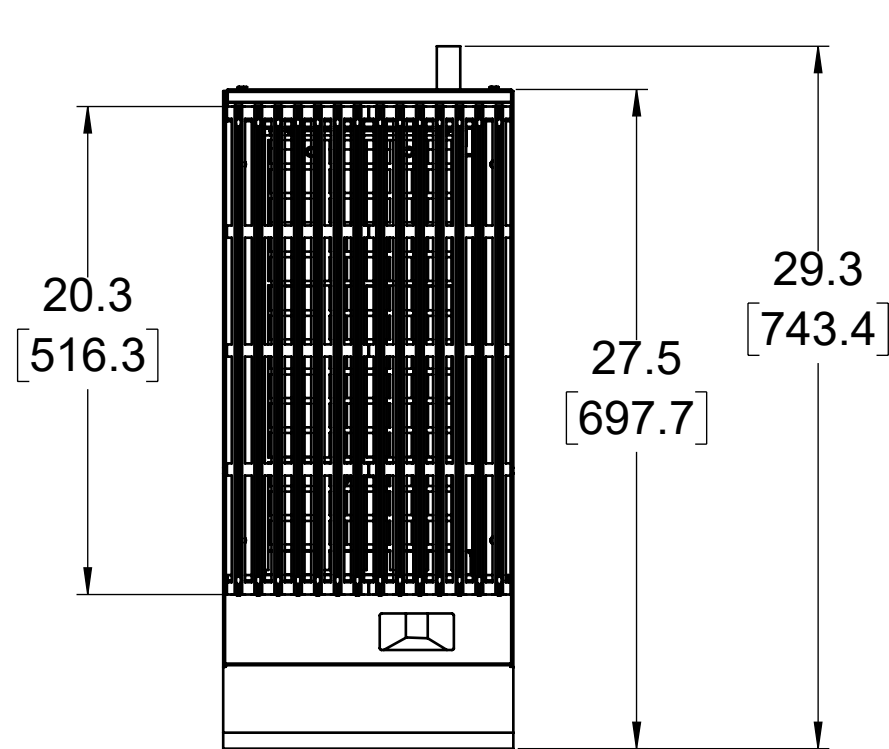
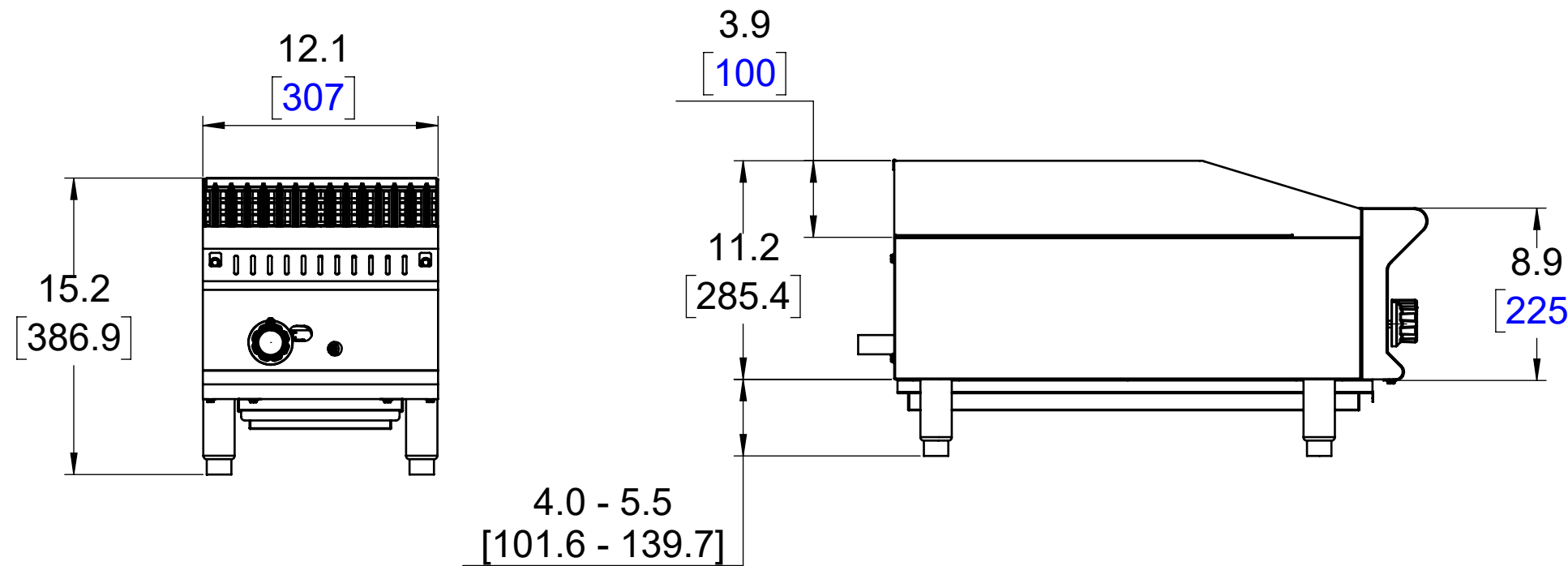


VOLLRATH GAS CHARBROILER, 12"

ITEM NO./MODEL NO.	DESCRIPTION
CBGMD-12	GAS CHARBROILER, 12"



NOTE:

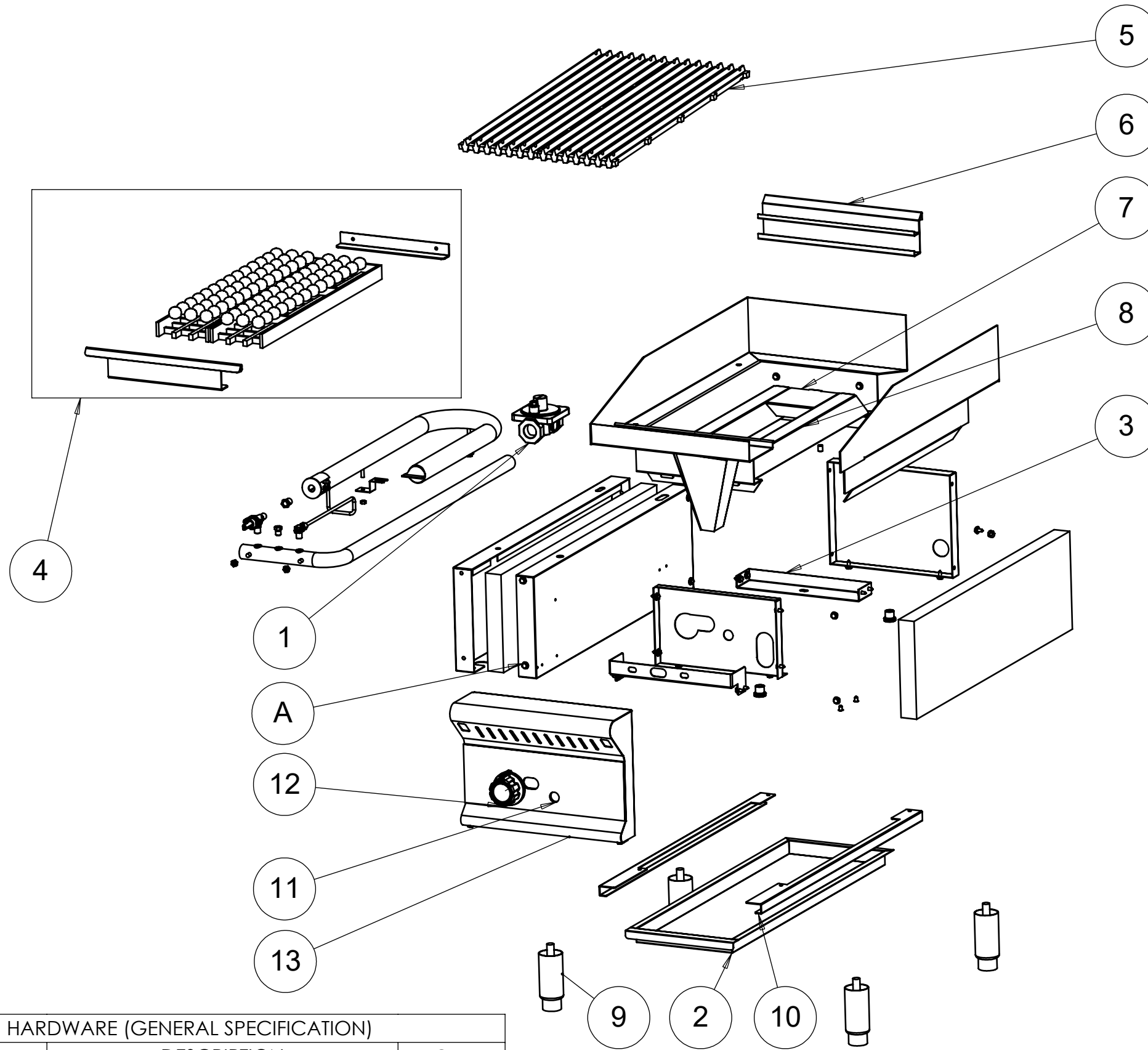
1. OUTPUT IS 40,000 BTU.
2. UNIT SHOULD BE INSTALLED UNDER A HOOD IN ACCORDANCE WITH THE LATEST EDITION OF THE STANDARD FOR VENTILATION CONTROL AND FIRE PROTECTION OF COMMERCIAL COOKING OPERATIONS, NFPA 96.
3. STANDING PILOTS WITH A MANUAL BURNER CONTROL VALVE FOR EACH BURNER. 3/4" NPT GAS INLET.
4. UNIT WEIGHT IS: 69.4 LBS.
5. MATERIALS: STAINLESS STEEL AND PRE-SEASONED CAST IRON.
6. CERTIFICATIONS:
 1. ANSI Z83.11:2016.
 2. CSA 1.8:2016.
 3. NSF/ANSI 4.



DIMENSIONS ARE IN INCHES (IN) UNLESS OTHERWISE NOTED.
 DIMENSIONS IN BRACKETS ARE IN MILLIMETERS (MM) AND ARE FOR REFERENCE ONLY.

VOLLRATH GAS CHARBROILER, 12"

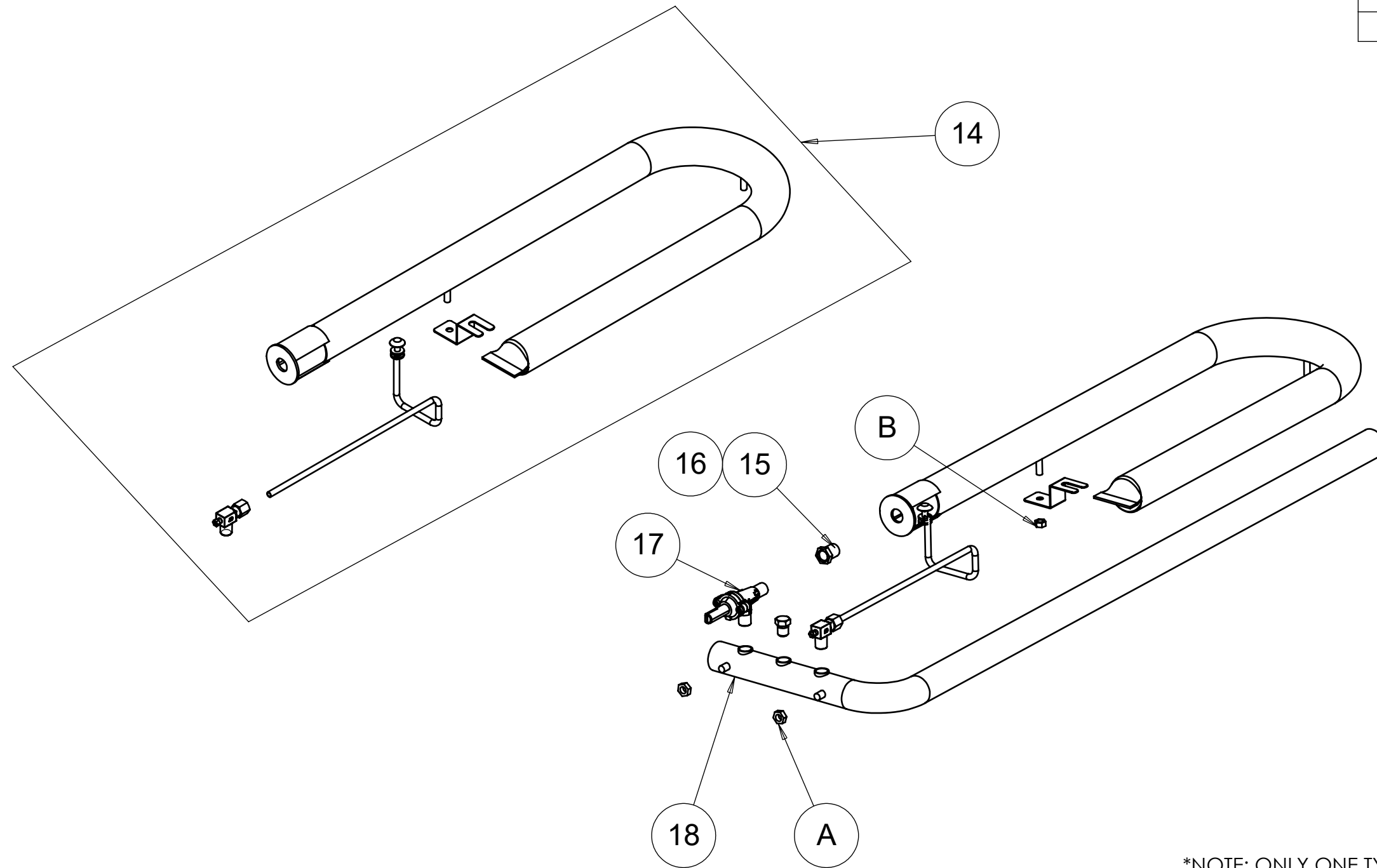
ITEM NO./MODEL NO.	DESCRIPTION
CBGMD-12	GAS CHARBROILER, 12"



SN	PART NO	DESCRIPTION	QTY
1	352509-1	REGULATOR 5IN WC	1
2	353365-1	DRIP TRAY - 12IN HP-MDCB	1
3	353384-1	BURNER SUPPORT - 12IN GRIDDLE	1
4	353415-1	LAVA ROCK KIT - 12IN CB	1
5	353417-1	MDCB COOKING GRATE	2
6	353416-1	GRATE SUPPORT - 12IN MDCB	1
7	353419-1	MDCB BURNER RADIANT (SHORT)	1
8	353418-1	MDCB BURNER RADIANT (LONG)	2
9	353376-1	LEG, GAS APPLIANCE	4
10	353483-1	DRIP TRAY SUPPORT, MDCB	1
11	353412-1	FASCIA - 12IN MD CHARBROIL	1
12	353373-1	CONTROL KNOB LG INSERT	1
13	354226-1	CBGMD-12 FRONT PANEL ASSY	1

HARDWARE (GENERAL SPECIFICATION)		
SN	DESCRIPTION	QTY
A	M5X0.8X10 SS TAP SCREW, FL HEX	32

ITEM NO./MODEL NO.	DESCRIPTION
CBGMD-12	GAS CHARBROILER, 12"



*NOTE: ONLY ONE TYPE OF ORIFICE IS REQUIRED, 3.0MM FOR NATURAL GAS OR 2.0MM FOR LP

HARDWARE (GENERAL SPECIFICATION)		
SN	DESCRIPTION	QTY
A	M6X1X5 SS HEX NUT	2
B	M5X0.8X4 SS HEX NUT	2

SN	PART NO	DESCRIPTION	QTY
14	353385-1	BURNER/PILOT ASSY - MDM GAS GR	1
15	353464-1	3.00MM BRASS ORIFICE *	1
16	353465-1	2.00MM BRASS ORIFICE *	1
17	353367-1	MANUAL CONTROL VALVE	1
18	353389-1	MANIFOLD - 12IN MDM GRIDDLE	1