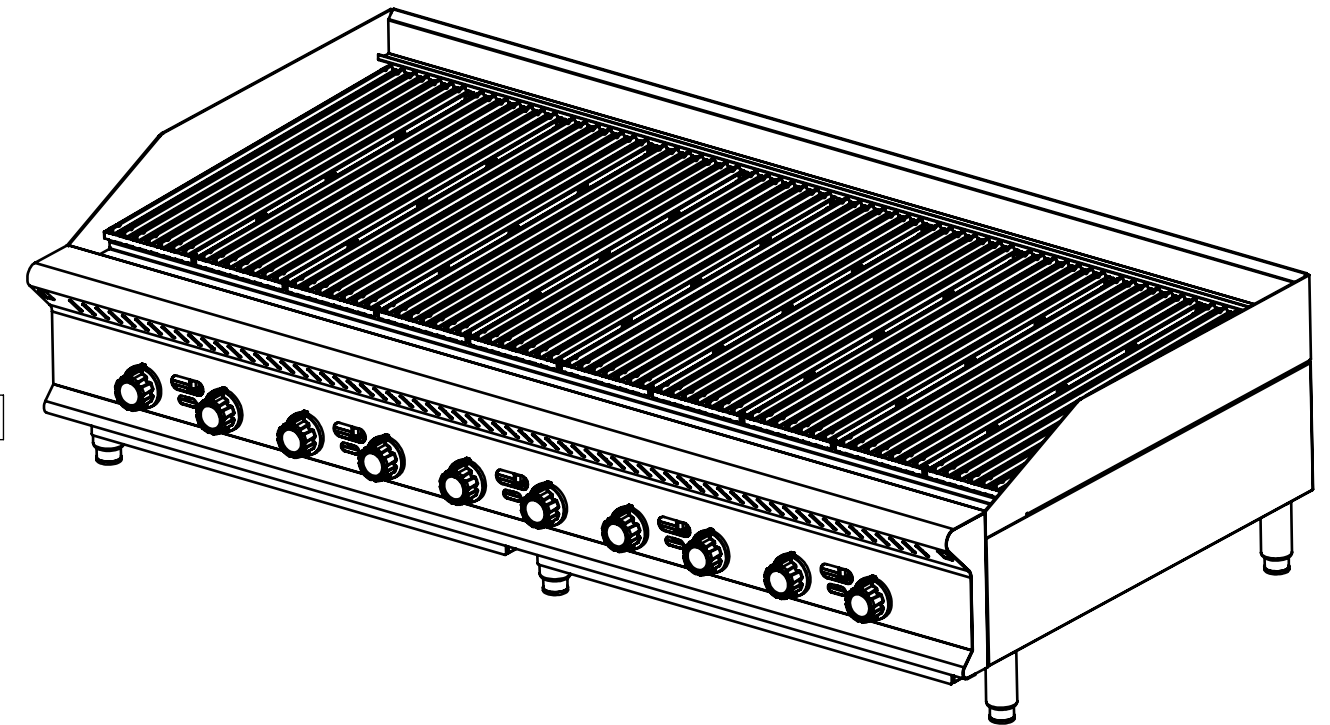
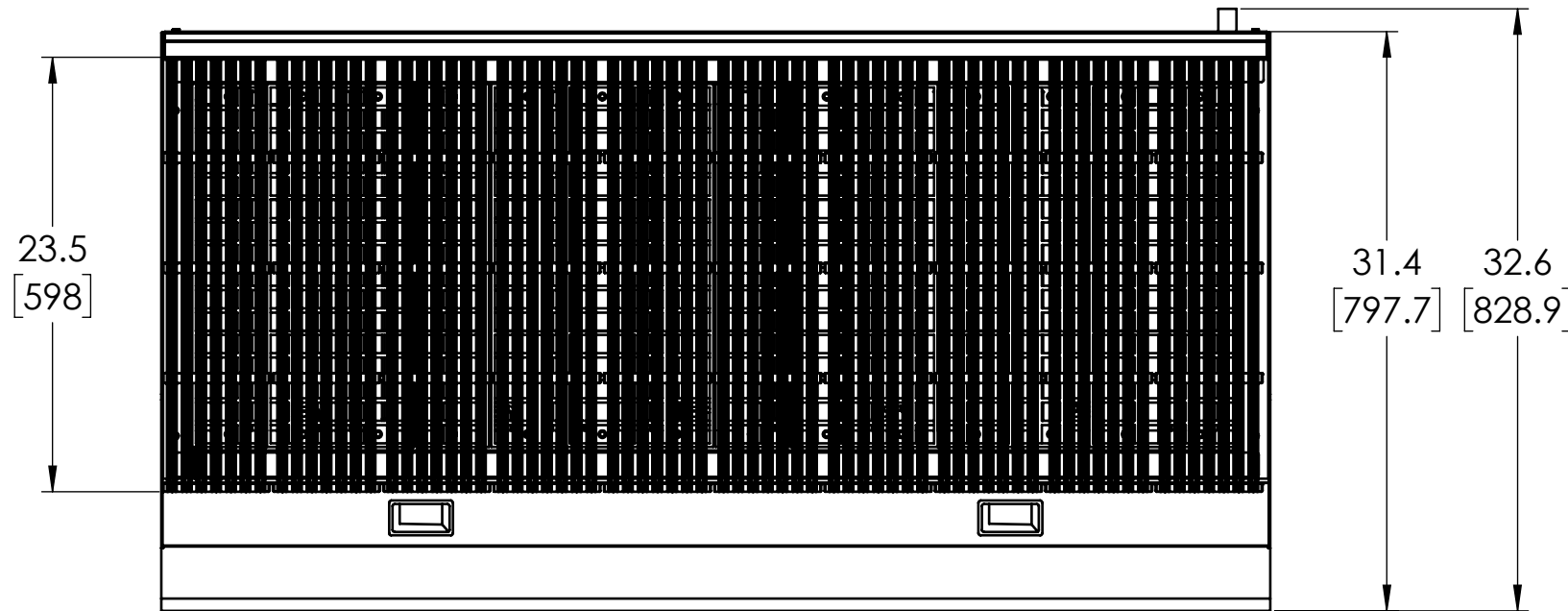
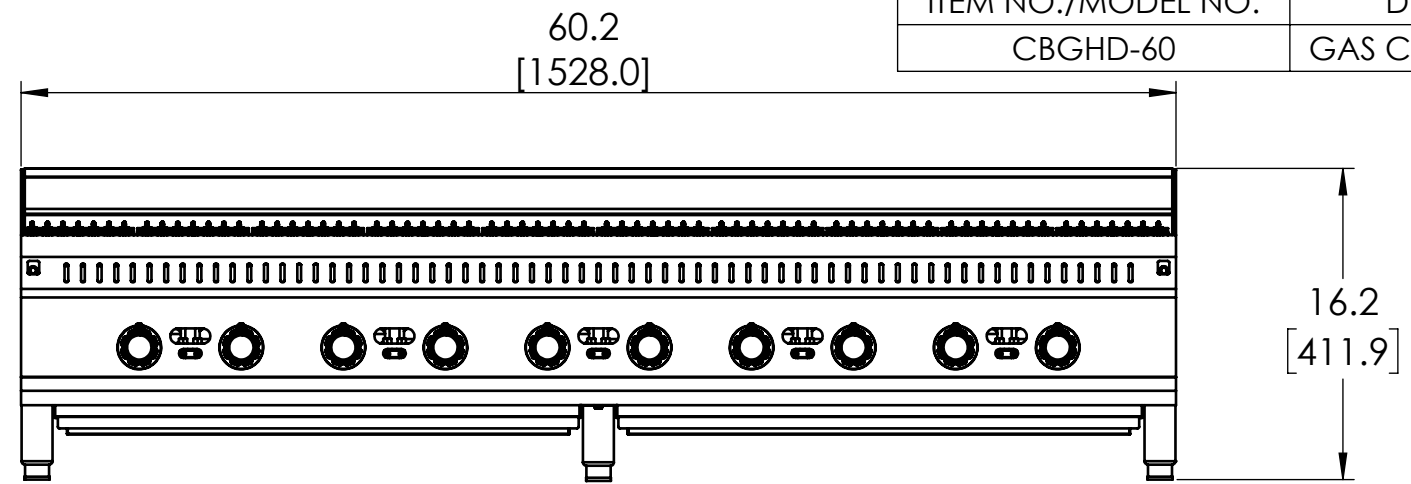
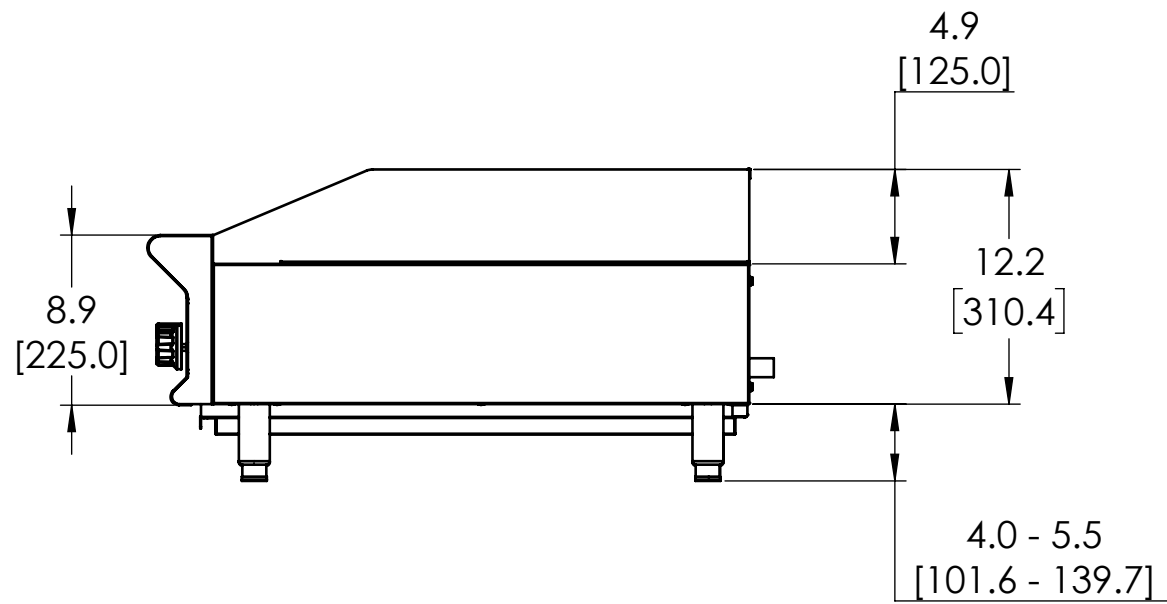


VOLLRATH GAS CHARBROILER, 60"

ITEM NO./MODEL NO.	DESCRIPTION
CBGHD-60	GAS CHARBROILER, 60"



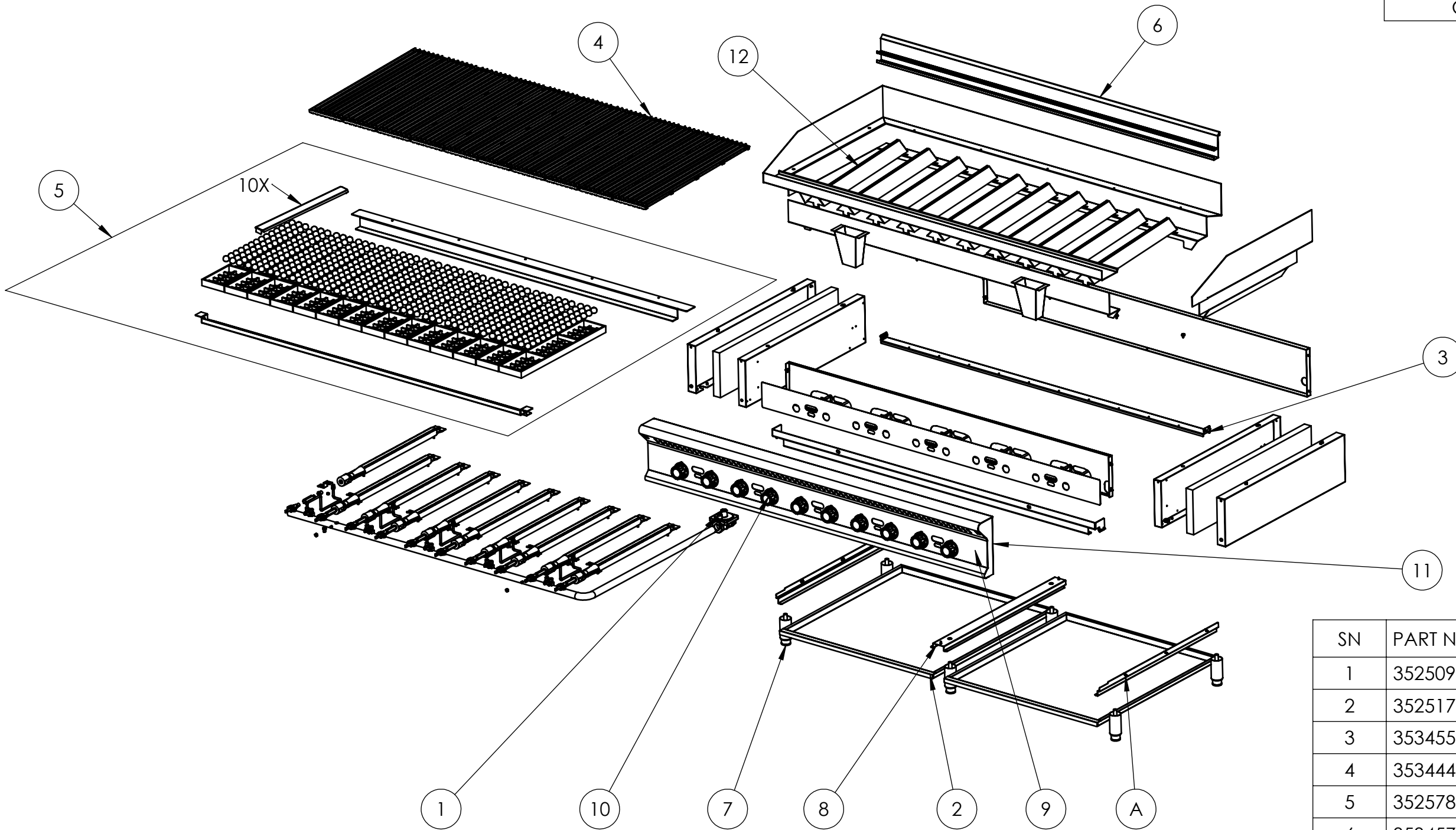
NOTES:

1. OUTPUT IS 200,000 BTU
2. UNIT SHOULD BE INSTALLED UNDER A HOOD IN ACCORDANCE WITH THE LATEST EDITION OF THE STANDARD FOR VENTILATION CONTROL AND FIRE PROTECTION OF COMMERCIAL COOKING OPERATIONS, NFPA 96.
3. STANDING PILOTS WITH A MANUAL BURNER CONTROL VALVE FOR EACH BURNER. 3/4" NPT GAS INLET.
4. UNIT WEIGHT IS: 346.1 LBS
5. MATERIALS: STAINLESS STEEL AND PRE-SEASONED CAST IRON
6. CERTIFICATIONS:
 1. ANSI Z83.11:2016
 2. CSA 1.8:2016
 3. NSF/ANSI 4

DIMENSIONS ARE IN INCHES (IN) UNLESS OTHERWISE NOTED.
 DIMENSIONS IN BRACKETS ARE IN MILLIMETERS (MM) AND ARE FOR REFERENCE ONLY.



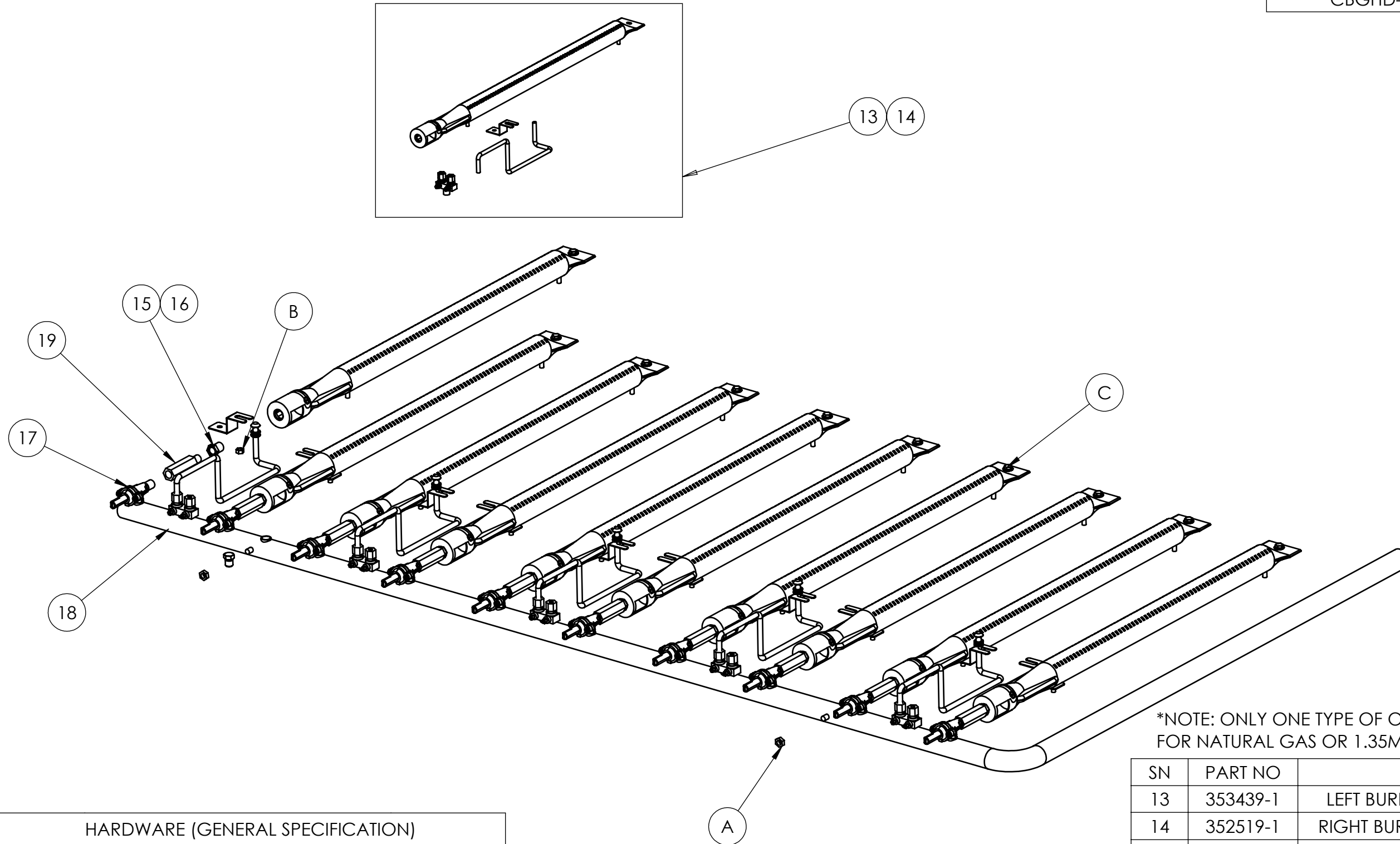
ITEM NO./MODEL NO.	DESCRIPTION
CBGHD-60	GAS CHARBROILER, 60"



SN	PART NO	DESCRIPTION	QTY
1	352509-1	REGULATOR 5IN WC	1
2	352517-1	DRIP TRAY - 60IN HDCB	2
3	353455-1	BURNER SUPPORT - 60IN HDCB	1
4	353444-1	HDCB COOKING GRATE	10
5	352578-1	LAVA ROCK KIT - 60IN HDCB	1
6	353457-1	GRATE SUPPORT - 60IN HDCB	1
7	353376-1	LEG, GAS APPLIANCE	6
8	353485-1	DRIP TRAY SUPPORT, HDCB 60-72	1
9	353454-1	FASCIA - 60IN HD CHARBROIL	1
10	353373-1	CONTROL KNOB LG INSERT	10
11	354245-1	CBGHD-60 FRONT PANEL ASSY	1
12	353445-1	HDCB BURNER RADIANT	10

HARDWARE (GENERAL SPECIFICATION)		
SN	DESCRIPTION	QTY
A	M5X0.8X10 SS TAP SCREW, FL HEX	35

ITEM NO./MODEL NO.	DESCRIPTION
CBGHD-60	GAS CHARBROILER, 60"



*NOTE: ONLY ONE TYPE OF ORIFICE IS REQUIRED, 1.85MM FOR NATURAL GAS OR 1.35MM FOR LP

HARDWARE (GENERAL SPECIFICATION)		
SN	DESCRIPTION	QTY
A	M6X1X5 SS HEX NUT	2
B	M5X0.8X4 SS HEX NUT	10
C	M5X0.8X10 SS TAP SCREW, FL HEX	10

SN	PART NO	DESCRIPTION	QTY
13	353439-1	LEFT BURNER/PILOT ASSY - HDCB	5
14	352519-1	RIGHT BURNER/PILOT ASSY - HDCB	5
15	352503-1	1.85MM BRASS ORIFICE *	10
16	352504-1	1.35MM BRASS ORIFICE *	10
17	353367-1	MANUAL CONTROL VALVE	10
18	353456-1	MANIFOLD - 60IN HDCB	1
19	352502-1	HDCB VALVE CONNECTION	10