



Installation Instructions

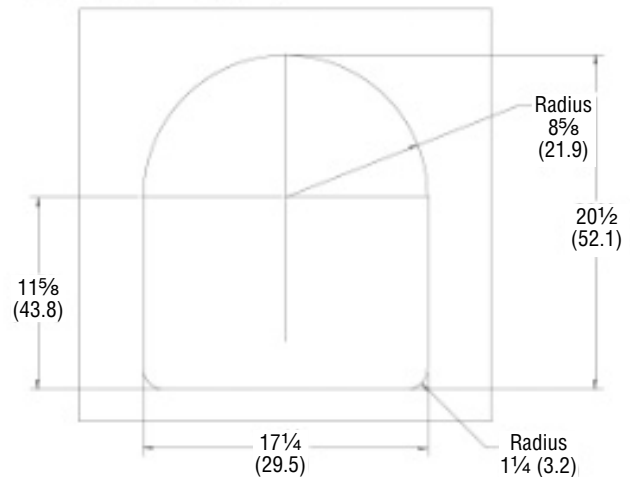
Induction Wok Drop-in Accessory Kit

Item Number(s): [6958301-DI](#)

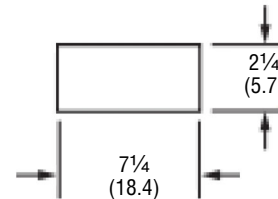


CREATE THE CUTOUT FOR WOK AND CONTROL BOX

1. Choose a flat, level countertop for the mounting surface.
2. Measure and cut the opening for the WOK.



3. Measure and cut the opening for the control box.



4. Apply sealant to the cutout area to prevent moisture from penetrating the exposed surfaces.

PURPOSE

This document explains the procedure for installing the induction wok as a drop-in. It is a supplement to Induction Wok Operator's manual.

Description	Qty.
Drop-In Control Box	1
15-pin Control Cable	1
Template	1

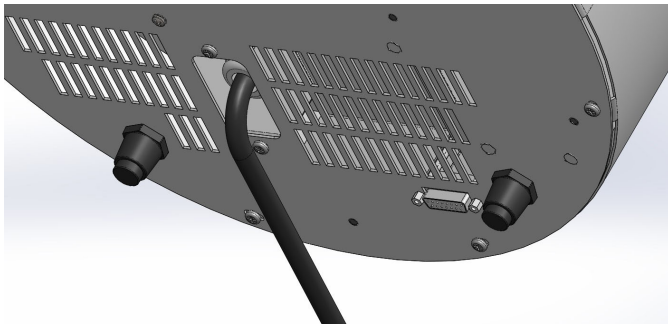
CLEARANCE REQUIREMENTS

- A minimum 24" (61 cm) between the bottom of the induction wok and any surrounding surface.
- Sufficient airflow must be allowed around the equipment. The cabinet must allow for a minimum of 80 square inches for fresh air intake and a minimum of 80 square inches for exhaust. Blocking the airflow could cause the equipment to overheat.
- Do not install in areas where other equipment can exhaust directly into the Induction Wok.
- The maximum intake temperature must not exceed 110°F (43°C). Temperatures are measured in ambient air while all appliances in the kitchen are in operation.

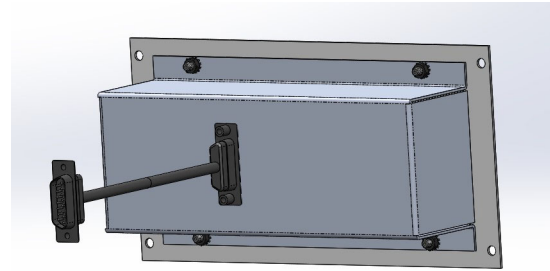
INSTALL THE TEMPLATE, WOK AND CONTROL BOX



1. Attach the 15-pin control cable to the connection on the base of the WOK unit. Hand-tighten both screws on the cable to secure it to the unit.



2. Follow this same procedure to attach the 15-pin control cable to the control box after running the control cable under the counter.



3. Apply a thin bead of 100% silicone or room temperature vulcanization (RTV) silicone sealant to the underside of the template. Place the template into the cutout.
4. Insert the wok into the template.
5. Apply a thin bead of 100% silicone or room temperature vulcanization (RTV) silicone sealant to the backside of the control box. Place the control box into the cutout.
6. Insert the control box into the cutout.
7. Apply a thin bead of 100% silicone or room temperature vulcanization (RTV) silicone sealant to the joint between the template and the wok.
8. Plug the power cord into a grounded electrical outlet with the matching nameplate rated voltage.

NOTICE: Using a voltage other than the nameplate rated voltage will cause damage to the equipment. Incorrect voltage, modification to the power cord or electrical components can damage equipment and will void the warranty.

NOTICE: Please reference Induction Wok Operator's Manual at vollrathfoodservice.com for additional operation, installation and use information.



www.vollrath.com

The Vollrath Company, L.L.C.

1236 North 18th Street
Sheboygan, WI 53081-3201 U.S.A.
Main Tel: 800.624.2051 or 920.457.4851
Main Fax: 800.752.5620 or 920.459.6573
Customer Service: 800.628.0830
Canada Customer Service: 800.695.8560

Technical Services

techservicereps@vollrathco.com
Induction Products: 800.825.6036
Countertop Warming Products: 800.354.1970
All Other Products: 800.628.0832