



Outperform every day.™

Project:

Item Number:

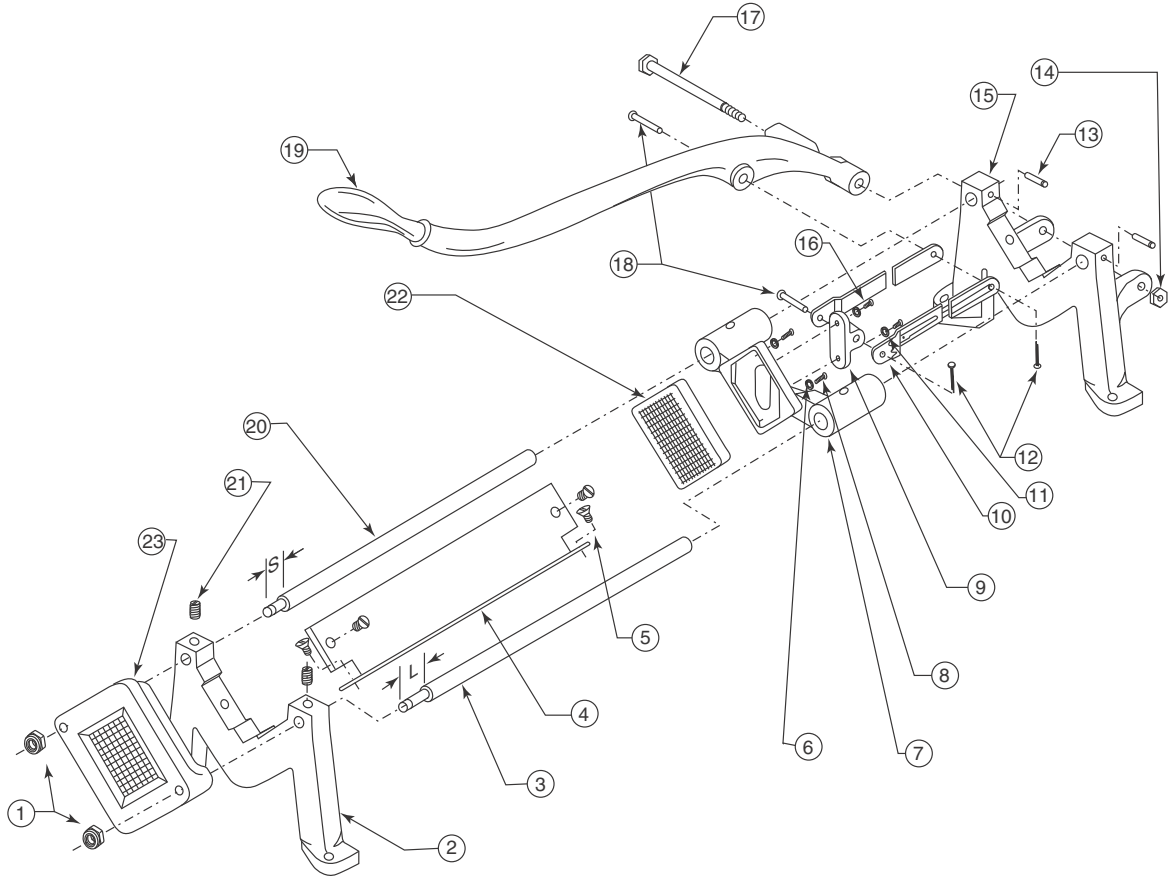
Quantity:

Potato Cutters: 47703, 47713, 47714 and 47715

The Vollrath Company, L.L.C.

POTATO CUTTERS: 47703, 47713, 47714 AND 47715

47703 47713 47714 47715



Item	Part No.	Description
1	21773-1	5/16" Nyl Locknut
2	45609-1	Front Leg
3	45613-1	Long Thread Slide Rod
4	45615-2	Guide Fence
5	21918-1	Screw
6	21819-1	#10 Lockwasher
7	45610-1	Pusher Plate
8	21906-3	12-24 x 3/4" Screw
9	45766-1	Pusher Plate Bracket
10	45755-2	Handle and Block Link
11	21823-1	#12 Lockwasher
12	21798-1	Cotter Pin
13	21917-1	Dowel Pin
14	21776-1	3/8" Nyl Locknut
15	45608-1	Back Leg
16	21905-3	10-24 x 1/2" Screw

Item	Part No.	Description
17	21995-3	5" x 3/8" Hex Bolt
18	45767-1	Round Head Rivet
19	45611-1	Handle
20	45614-1	Short Thread Slide Rod
21	21904-3	1/4-20 x 1/4" Set Screw
22	45602-1	Wedge Pusher Block
	45754-1	9/32" Pusher Block
	45752-1	3/8" Pusher Block
	45753-1	7/16" Pusher Block
23	45603-1	Wedge Cutting Die
	45751-1	9/32" Cutter Block, 9 blades = 10 cubes across
	45749-1	3/8" Cutter Block, 7 blades = 8 cubes across
	45750-1	7/16" Cutter Block, 6 blades = 7 cubes across

45617 Parts Bag contains items 1, 5, 6, 8, 11, 12, 13, 14, 16, 17, 18, and 21

Due to continued product improvement, please consult www.vollrathco.com for current product specifications.



Outperform every day.™
www.vollrath.com

The Vollrath Company, L.L.C.
1236 North 18th Street
Sheboygan, WI 53081-3201 U.S.A.
Customer Service: 800.628.0830
Canada Customer Service: 800.695.8560

Technical Services: 800.628.0832
Technical Services Fax: 920.459.5462

This page intentionally left blank.