



Outperform every day.™

Project:

Item Number:

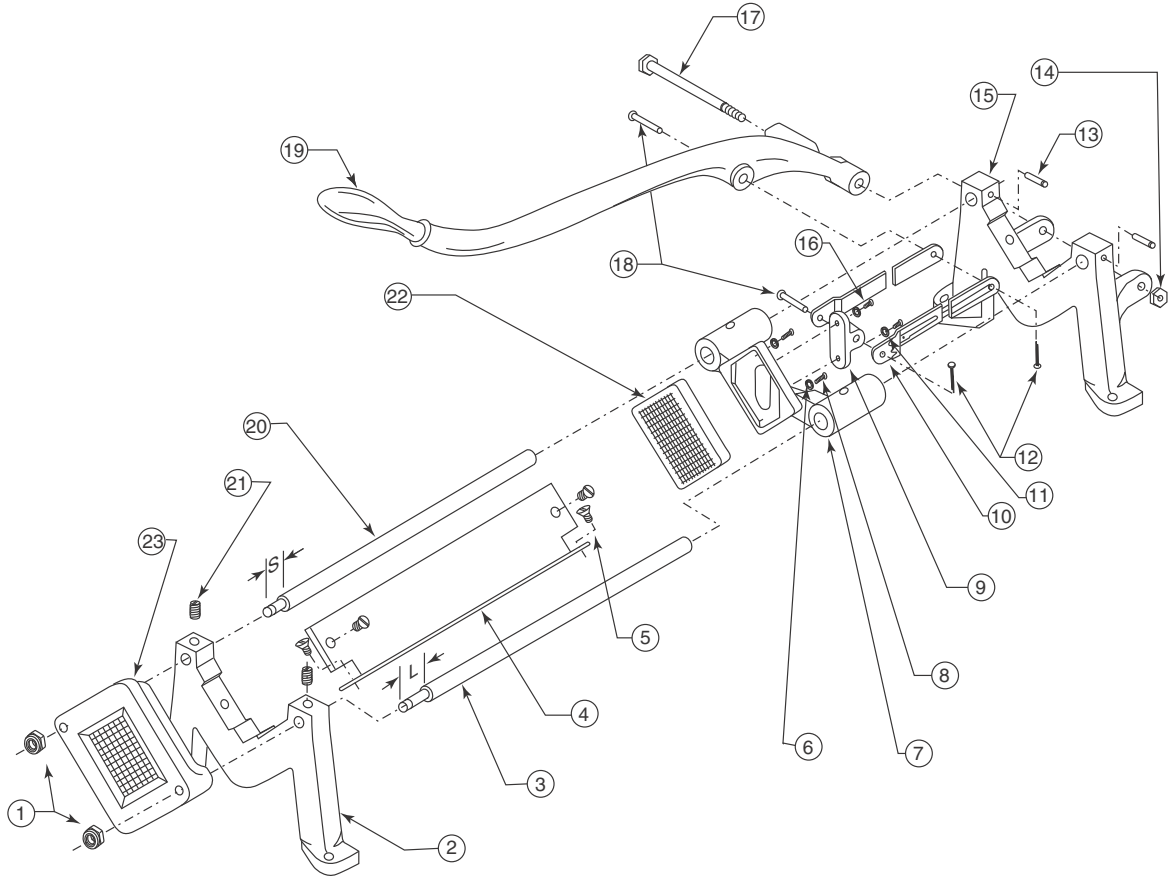
Quantity:

Potato Cutters: 47703, 47713, 47714 and 47715

The Vollrath Company, L.L.C.

POTATO CUTTERS: 47703, 47713, 47714 AND 47715

47703 47713 47714 47715



| Item | Part No. | Description |
|------|----------|-----------------------|
| 1 | 21773-1 | 5/16" Nyl Locknut |
| 2 | 45609-1 | Front Leg |
| 3 | 45613-1 | Long Thread Slide Rod |
| 4 | 45615-2 | Guide Fence |
| 5 | 21918-1 | Screw |
| 6 | 21819-1 | #10 Lockwasher |
| 7 | 45610-1 | Pusher Plate |
| 8 | 21906-3 | 12-24 x 3/4" Screw |
| 9 | 45766-1 | Pusher Plate Bracket |
| 10 | 45755-2 | Handle and Block Link |
| 11 | 21823-1 | #12 Lockwasher |
| 12 | 21798-1 | Cotter Pin |
| 13 | 21917-1 | Dowel Pin |
| 14 | 21776-1 | 3/8" Nyl Locknut |
| 15 | 45608-1 | Back Leg |
| 16 | 21905-3 | 10-24 x 1/2" Screw |

| Item | Part No. | Description |
|------|----------|---|
| 17 | 21995-3 | 5" x 3/8" Hex Bolt |
| 18 | 45767-1 | Round Head Rivet |
| 19 | 45611-1 | Handle |
| 20 | 45614-1 | Short Thread Slide Rod |
| 21 | 21904-3 | 1/4-20 x 1/4" Set Screw |
| 22 | 45602-1 | Wedge Pusher Block |
| | 45754-1 | 9/32" Pusher Block |
| | 45752-1 | 3/8" Pusher Block |
| | 45753-1 | 7/16" Pusher Block |
| 23 | 45603-1 | Wedge Cutting Die |
| | 45751-1 | 9/32" Cutter Block, 9 blades = 10 cubes across |
| | 45749-1 | 3/8" Cutter Block, 7 blades = 8 cubes across |
| | 45750-1 | 7/16" Cutter Block, 6 blades = 7 cubes across |

45617 Parts Bag contains items 1, 5, 6, 8, 11, 12, 13, 14, 16, 17, 18, and 21

Due to continued product improvement, please consult www.vollrathco.com for current product specifications.



Outperform every day.™
www.vollrath.com

The Vollrath Company, L.L.C.
1236 North 18th Street
Sheboygan, WI 53081-3201 U.S.A.
Customer Service: 800.628.0830
Canada Customer Service: 800.695.8560

Technical Services: 800.628.0832
Technical Services Fax: 920.459.5462

This page intentionally left blank.