



13" 120V Heavy Duty Electric Deli Slicer

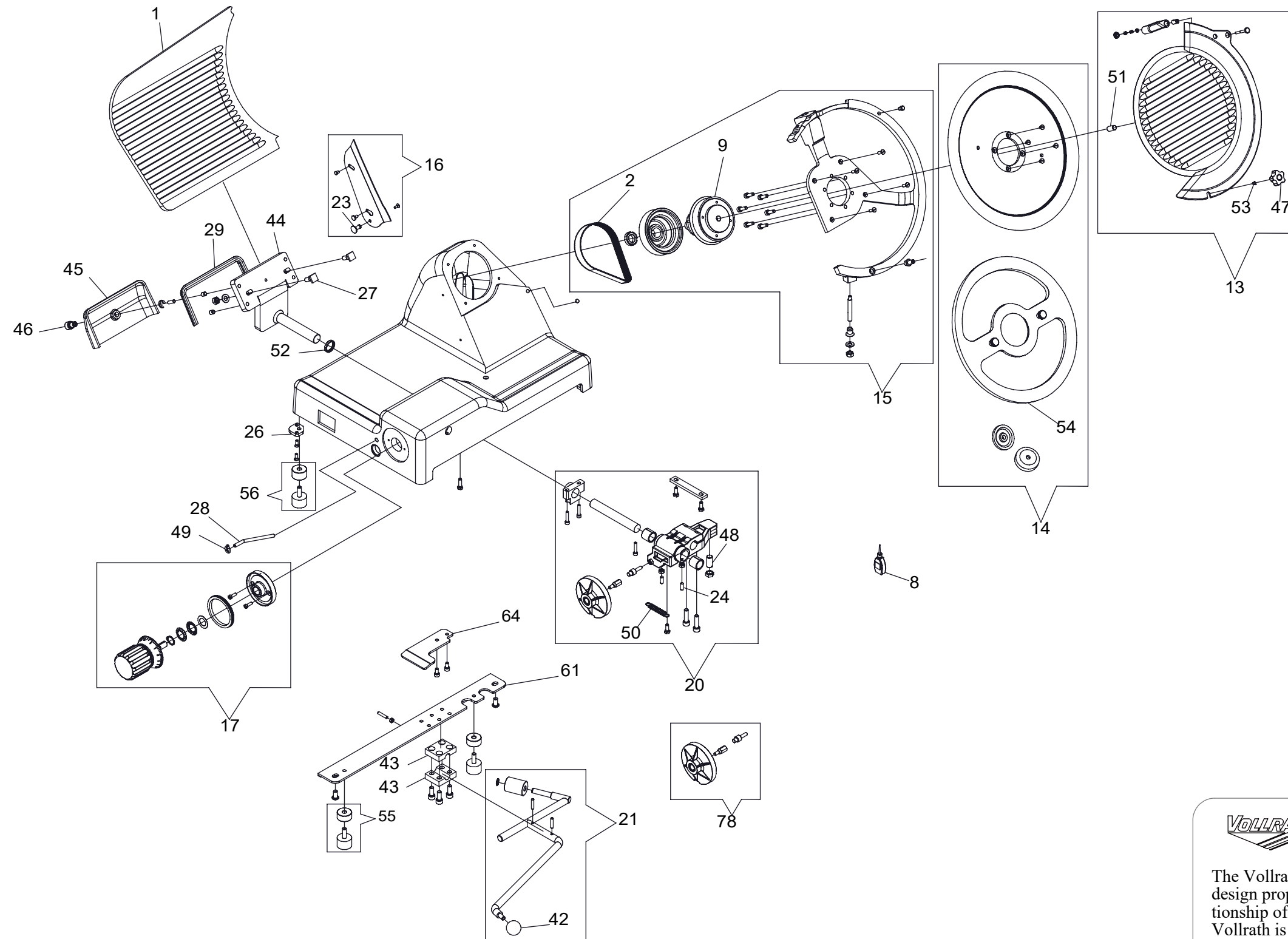
ITEM NO.	PART NUMBER	DESCRIPTION	QTY
1	XSSL5003	GAUGE PLATE	1
2	XSSL5006	BELT	1
3	XSSL5010	S/S OFF BUTTON, UL	1
4	XSSL5014	MOTOR THERMAL RESET, 5A UL	1
5	XSSL5018	POWER CORD, 110/60 PA 205	1
6	XSSL5019	CONTROL BOARD, 110/60 UL	1
7	XSSL5023	CONTROL LABEL	1
8	XSSL5027	OIL BOTTLE	1
9	XSSL5031	BLADE HUB ASSEMBLY	1
10	XSSL5055	KIT - MOTOR CAPACITOR	1
11	XSSL5069	KIT - SHARPENER ASSEMBLY	1
12	XSSL5070	KIT - SHARPENING STONE WHEELS	1
13	XSSL5073	KIT - BLADE COVER	1
14	XSSL5074	KIT - BLADE	1
15	XSSL5075	KIT - BLADE RING & HUB ASSY	1
16	XSSL5076	KIT - SLICE DEFLECTOR	1
17	XSSL5077	KIT - THICKNESS KNOB	1
18	XSSL5079	KIT - CARRIAGE & TRAY ASSEMBLY	1
19	XSSL5080	KIT - FOOD PRESS HANDLE	1
20	XSSL5083	KIT - GAUGE PLATE MOVEMENT	1
21	XSSL5084	KIT - KICKSTAND	1
22	XSSL5085	KIT - CARRIAGE HANDLE	1
23	XSSL5090	BLADE COVER/SLICE DEFLECTOR KNOB	1
24	XSSL5097	BRASS STUD BOLT, M6X17	2
25	XSSL5112	BUTTON LOCKING SCREW	2
26	XSSL5126	FOOT PLATE	2
27	XSSL5129	GAUGE PLATE BOLT, M8X29	2
28	XSSL5132	OIL TUBE	1
29	XSSL5133	GAUGE PLATE SUPPORT COVER SEAL	1
30	XSSL5138	CARRIAGE SLIDE BUFFER, M6X17	1
31	XSSL5139	CARRIAGE SLIDE ROD SCREW	2
32	XSSL5140	CARRIAGE SLIDE ROD SPRING	1
33	XSSL5141	FOOD TRAY SUPPORT KNOB	1
34	XSSL5142	CARRIAGE BEARING	1
35	XSSL5144	SHARPENER ASSEMBLY KNOB	1
36	XSSL5145	SHARPENER PUSH BUTTON	2
37	XSSL5146	SHARPENER PIN SPRING	2
38	XSSL5147	SHARPENER VIBRATION DAMPER	1
39	XSSL5148	SHARPENER COVER S/S KNOB	1
40	XSSL5149	CARRIAGE RELEASE SPRING	1
41	XSSL5161	S/S ON BUTTON W/BUE LIGHT, UL	1
42	XSSL5165	KICKSTAND KNOB	1
43	XSSL5166	MOUNTING BLOCK FOR KICKSTAND	2
44	XSSL5175	GAUGE PLATE SUPPORT	1
45	XSSL5176	GAUGE PLATE SUPPORT COVER	1
46	XSSL5177	GAUGE PLATE SUPPORT COVER KNOB	1

ITEM NO.	PART NUMBER	DESCRIPTION	QTY
47	XSSL5178	BLADE COVER KNOB	1
48	XSSL5179	BRASS STUD BOLT	1
49	XSSL5180	OIL TUBE COVER	1
50	XSSL5181	GAUGE PLATE SLIDE SPRING	1
51	XSSL5182	BLADE HUB PLUG	1
52	XSSL5183	GAUGE PLATE SUPPORT SEAL	1
53	XSSL5184	BLADE COVER KNOB SCREW, M4X08	1
54	XSSL5185	BLADE REMOVAL TOOL	1
55	XSSL5186	KIT - RUBBER FOOT, FRONT	2
56	XSSL5187	KIT - RUBBER FOOT, REAR	2
57	XSSL5188	BRASS STUD BOLT, M8	1
58	XSSL5189	FOOD TRAY BOLT	3
59	XSSL5197	KIT - CARRIAGE SLIDE ASSEMBLY	1
60	XSSL5198	KIT - FOOD PRESS ASSEMBLY	1
61	XSSL5207	KICKSTAND BRACKET	1
62	XSSL5208	MOTOR SUPPORT BRACKET	1
63	XSSL5210	POWER CORD SUPPORT BRACKET	1
64	XSSL5211	KICKSTAND STOPPER	1
65	XSSL5212	RELAY BOX	1
66	XSSL5213	RELAY BOX COVER	1
67	XSSL5216	BOTTOM COVER	1
68	XSSL5217	FOOD PUSHER STUD PLATE	1
69	XSSL5218	NYLON SPACER	1
70	XSSL5219	FOOD PUSHER HOLDER	1
71	XSSL5220	FOOD PRESS SLIDE ROD SCREW, M6	2
72	XSSL5232	CARRIAGE SLIDE ROD	1
73	XSSL5234	CARRIAGE RELEASE TIP	1
74	XSSL5236	CARRIAGE RELEASE BUSHING	1
75	XSSL5237	LOCK RING - EXTERNAL THREADS	1
76	XSSL5238	SHARPENING PIN	1
77	XSSL5239	DEBURRING PIN	1
78	XSSL5241	KIT - GAUGE PLATE CAM AND PIN	1
79	XSSL5242	CARRIAGE RELEASE PIN	1
80	XSSL5243	FOOD PRESS SLIDE ROD	1
81	XSSL5244	FOOD PRESS END-WEIGHT ROD	1
82	XSSL5251	MOTOR 115/60 UL	1



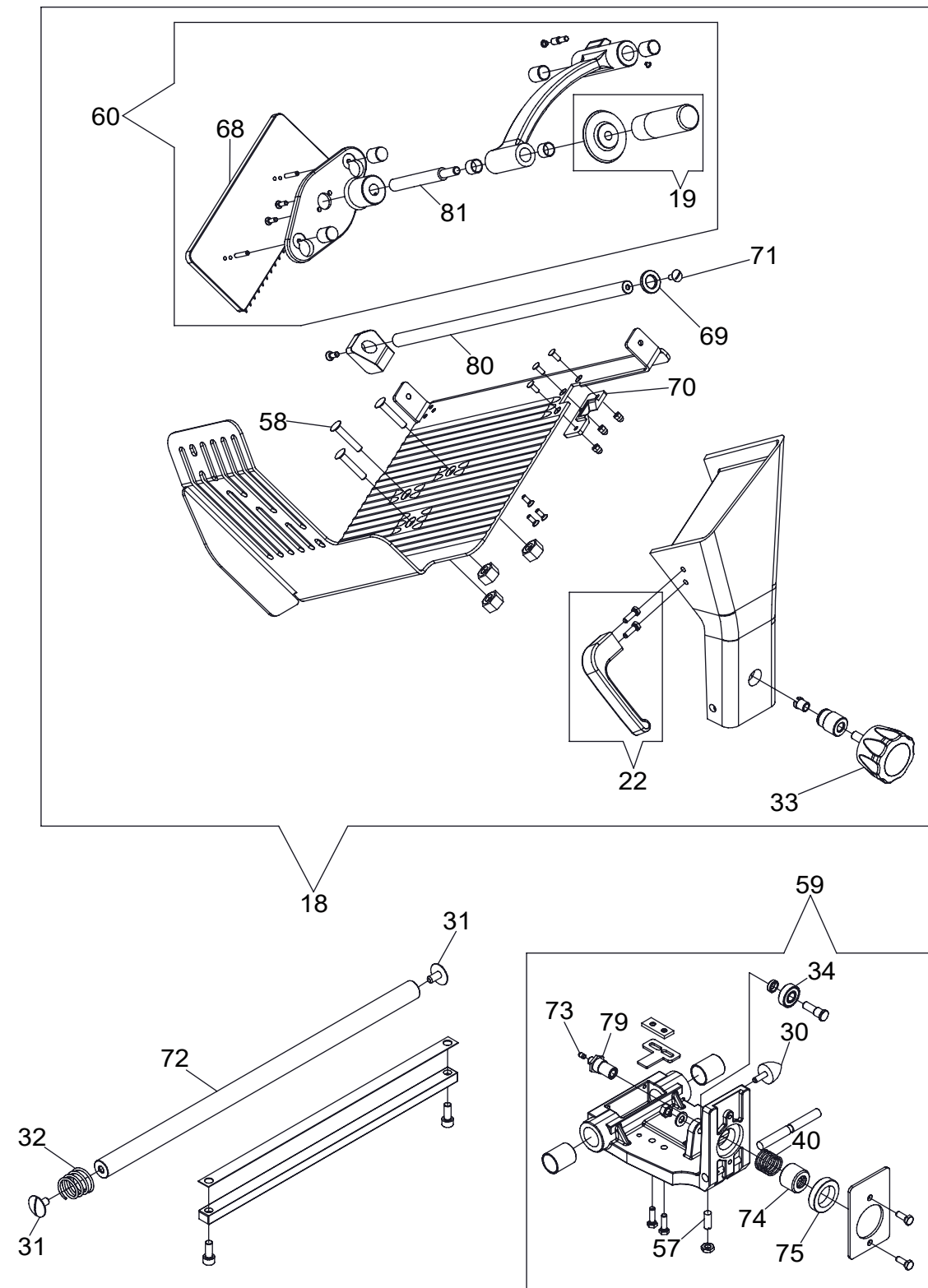
CONFIDENTIAL DESIGN

The Vollrath Company, L.L.C. ("Vollrath") considers this new design proprietary and confidential. Due to the existing relationship of trust and good faith between Vollrath and Recipient, Vollrath is providing this proprietary and confidential design and related information to Recipient with the understanding that Recipient will maintain such design and information in secrecy and will not directly or indirectly use, disseminate, or otherwise disclose this proprietary and confidential information to any outside person or organization without the express written prior consent of The Vollrath Company, L.L.C.



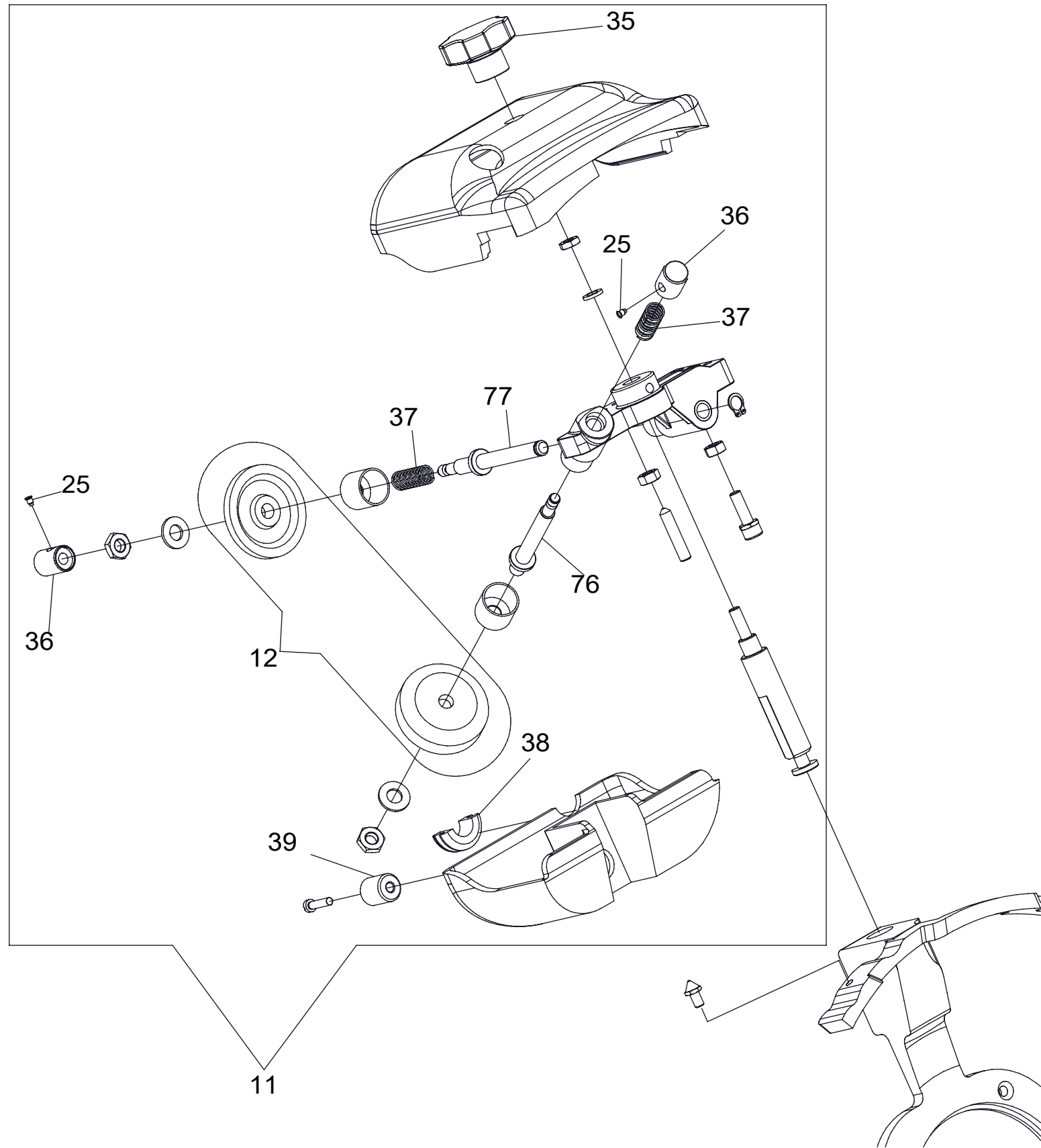
VOLLRATH **CONFIDENTIAL DESIGN**

The Vollrath Company, L.L.C. ("Vollrath") considers this new design proprietary and confidential. Due to the existing relationship of trust and good faith between Vollrath and Recipient, Vollrath is providing this proprietary and confidential design and related information to Recipient with the understanding that Recipient will maintain such design and information in secrecy and will not directly or indirectly use, disseminate, or otherwise disclose this proprietary and confidential information to any outside person or organization without the express written prior consent of The Vollrath Company, L.L.C.



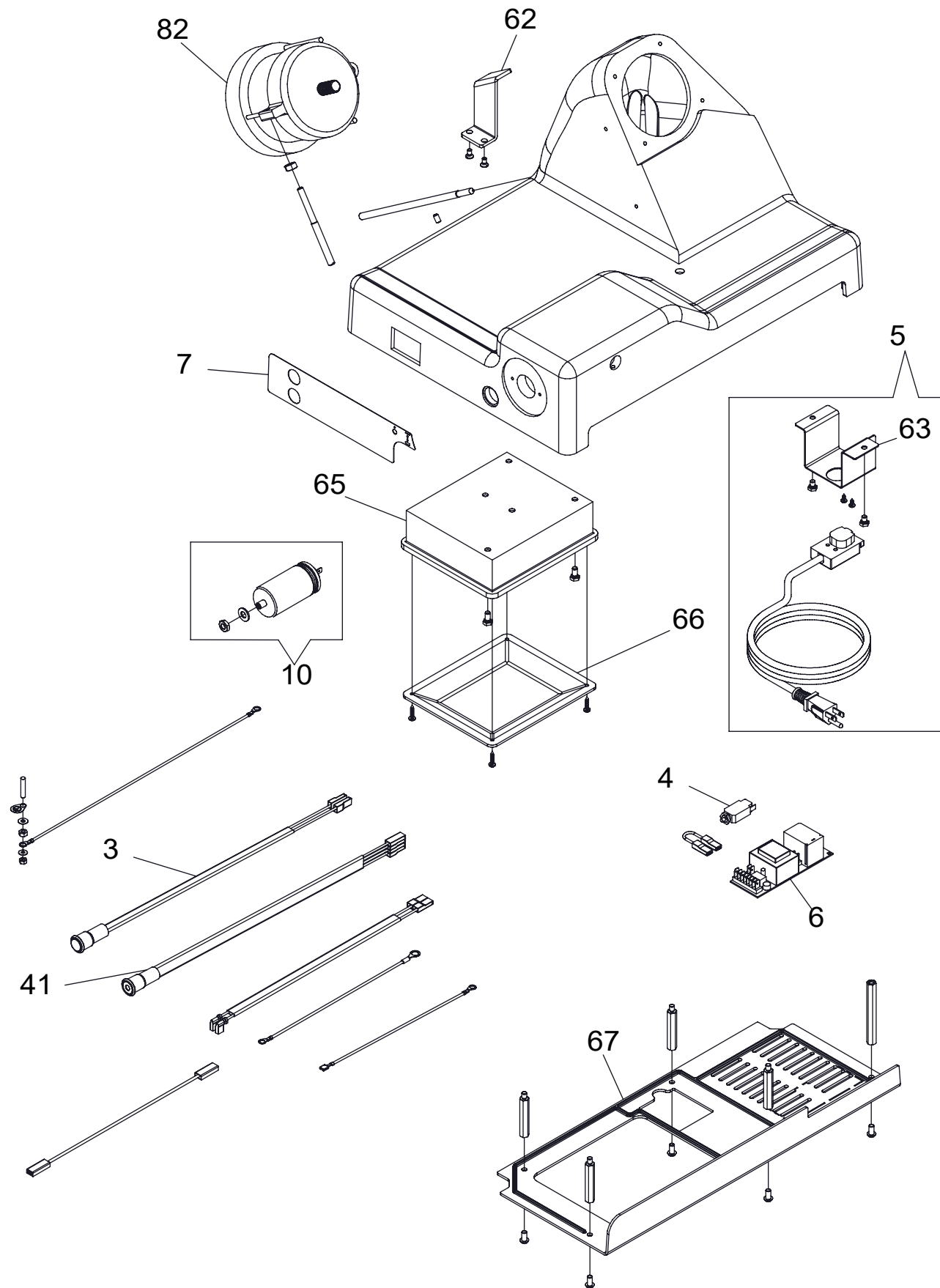
CONFIDENTIAL DESIGN

The Vollrath Company, L.L.C. ("Vollrath") considers this new design proprietary and confidential. Due to the existing relationship of trust and good faith between Vollrath and Recipient, Vollrath is providing this proprietary and confidential design and related information to Recipient with the understanding that Recipient will maintain such design and information in secrecy and will not directly or indirectly use, disseminate, or otherwise disclose this proprietary and confidential information to any outside person or organization without the express written prior consent of The Vollrath Company, L.L.C.



CONFIDENTIAL DESIGN

The Vollrath Company, L.L.C. ("Vollrath") considers this new design proprietary and confidential. Due to the existing relationship of trust and good faith between Vollrath and Recipient, Vollrath is providing this proprietary and confidential design and related information to Recipient with the understanding that Recipient will maintain such design and information in secrecy and will not directly or indirectly use, disseminate, or otherwise disclose this proprietary and confidential information to any outside person or organization without the express written prior consent of The Vollrath Company, L.L.C.



CONFIDENTIAL DESIGN

The Vollrath Company, L.L.C. ("Vollrath") considers this new design proprietary and confidential. Due to the existing relationship of trust and good faith between Vollrath and Recipient, Vollrath is providing this proprietary and confidential design and related information to Recipient with the understanding that Recipient will maintain such design and information in secrecy and will not directly or indirectly use, disseminate, or otherwise disclose this proprietary and confidential information to any outside person or organization without the express written prior consent of The Vollrath Company, L.L.C.