



12" 120V Heavy Duty Automatic Slicer

ITEM NO.	PART NUMBER	DESCRIPTION	QTY
1	XSSL5002	GAUGE PLATE	1
2	XSSL5006	BELT	1
3	XSSL5010	S/S OFF BUTTON, UL	2
4	XSSL5017	POWER CORD, 110/60 USA	1
5	XSSL5019	CONTROL BOARD, 110/60 UL	2
6	XSSL5027	OIL BOTTLE	1
7	XSSL5031	BLADE HUB ASSEMBLY	1
8	XSSL5059	KIT - BLADE	1
9	XSSL5061	KIT - SLICE DEFLECTOR	1
10	XSSL5069	KIT - SHARPENER ASSEMBLY	1
11	XSSL5070	KIT - SHARPENING STONE WHEELS	1
12	XSSL5071	KIT - MOTOR CAPACITOR	1
13	XSSL5072	KIT - CARRIAGE HANDLE	1
14	XSSL5077	KIT - THICKNESS KNOB	1
15	XSSL5083	KIT - GAUGE PLATE MOVEMENT	1
16	XSSL5084	KIT - KICKSTAND	1
17	XSSL5087	KIT - POTENTIOMETER W/KNOB	1
18	XSSL5088	KIT - RUBBER FOOT, FRONT	2
19	XSSL5089	KIT - RUBBER FOOT, REAR	2
20	XSSL5090	BLADE COVER/SLICE DEFLECTOR KNOB	1
21	XSSL5097	BRASS STUD BOLT, M6X17	2
22	XSSL5112	BUTTON LOCKING SCREW	2
23	XSSL5126	FOOT PLATE	4
24	XSSL5129	GAUGE PLATE BOLT, M8X29	2
25	XSSL5132	OIL TUBE	1
26	XSSL5133	GAUGE PLATE SUPPORT COVER SEAL	1
27	XSSL5137	BRASS STUD BOLT, M8	1
28	XSSL5138	CARRIAGE SLIDE BUFFER, M6X17	1
29	XSSL5139	CARRIAGE SLIDE ROD SCREW	2
30	XSSL5140	CARRIAGE SLIDE ROD SPRING	1
31	XSSL5141	FOOD TRAY SUPPORT KNOB	1
32	XSSL5142	CARRIAGE BEARING	1
33	XSSL5144	SHARPENER ASSEMBLY KNOB	1
34	XSSL5145	SHARPENER PUSH BUTTON	2
35	XSSL5146	SHARPENER PIN SPRING	2
36	XSSL5147	SHARPENER VIBRATION DAMPER	1
37	XSSL5148	SHARPENER COVER S/S KNOB	1
38	XSSL5149	CARRIAGE RELEASE SPRING	1
39	XSSL5150	CARRIAGE DRIVE LOCK SPRING	1
40	XSSL5151	FOOD PRESS CAPTURE BRACKET	1
41	XSSL5152	FOOD PUSHER HANDLE	1
42	XSSL5153	FOOD PUSHER STUD PLATE BOLT	1
43	XSSL5154	FOOD FENCE	1
44	XSSL5155	CARRIAGE DRIVE LOCK KNOB	1
45	XSSL5156	KIT - CARRIAGE & TRAY ASSEMBLY	1
46	XSSL5157	KIT - PROTECTION KIT, AUTO	1

ITEM NO.	PART NUMBER	DESCRIPTION	QTY
47	XSSL5158	KIT - PROTECTOR THUMB SCREWS	1
48	XSSL5159	CONTROL LABEL	1
49	XSSL5160	MOTOR THERMAL PROTECTION, 4A UL	1
50	XSSL5161	S/S ON BUTTON W/BLUE LIGHT, UL	1
51	XSSL5162	CABLE RESTRAINT	1
52	XSSL5163	POTENTIOMETER KNOB	1
53	XSSL5165	KICKSTAND KNOB	1
54	XSSL5166	MOUNTING BLOCK FOR KICKSTAND	2
55	XSSL5167	SNAP-IN COVER	1
56	XSSL5168	CONTROL BOARD, AUTO-DRIVE	1
57	XSSL5169	CARRIAGE DRIVE FILTER	1
58	XSSL5170	CARRIAGE DRIVE RESISTOR BOARD	1
59	XSSL5171	CARRIAGE DRIVE FILTER COND	1
60	XSSL5172	CONTROL LABEL	1
61	XSSL5173	KIT - MOTOR, AUTO-FEED	1
62	XSSL5174	KIT - AUTO-FEED LINKAGES	1
63	XSSL5175	GAUGE PLATE SUPPORT	1
64	XSSL5176	GAUGE PLATE SUPPORT COVER	1
65	XSSL5177	GAUGE PLATE SUPPORT COVER KNOB	1
66	XSSL5178	BLADE COVER KNOB	1
67	XSSL5179	BRASS STUD BOLT	1
68	XSSL5180	OIL TUBE COVER	1
69	XSSL5181	GAUGE PLATE SLIDE SPRING	1
70	XSSL5182	BLADE HUB PLUG	1
71	XSSL5183	GAUGE PLATE SUPPORT SEAL	1
72	XSSL5184	BLADE COVER KNOB SCREW, M4X08	1
73	XSSL5196	KIT - FOOD PRESS ASSEMBLY	1
74	XSSL5202	GAUGE PLATE BOLT, M8X38	2
75	XSSL5203	RELAY BOX ASSEMBLY	1
76	XSSL5206	BOTTOM COVER	1
77	XSSL5207	KICKSTAND BRACKET	1
78	XSSL5208	MOTOR SUPPORT BRACKET	1
79	XSSL5209	THERMAL SWITCH SUPPORT FLANGE	1
80	XSSL5211	KICKSTAND STOPPER	1
81	XSSL5212	RELAY BOX	1
82	XSSL5213	RELAY BOX COVER	1
83	XSSL5222	MOTOR THRML PROTECTION 2.5A UL	1

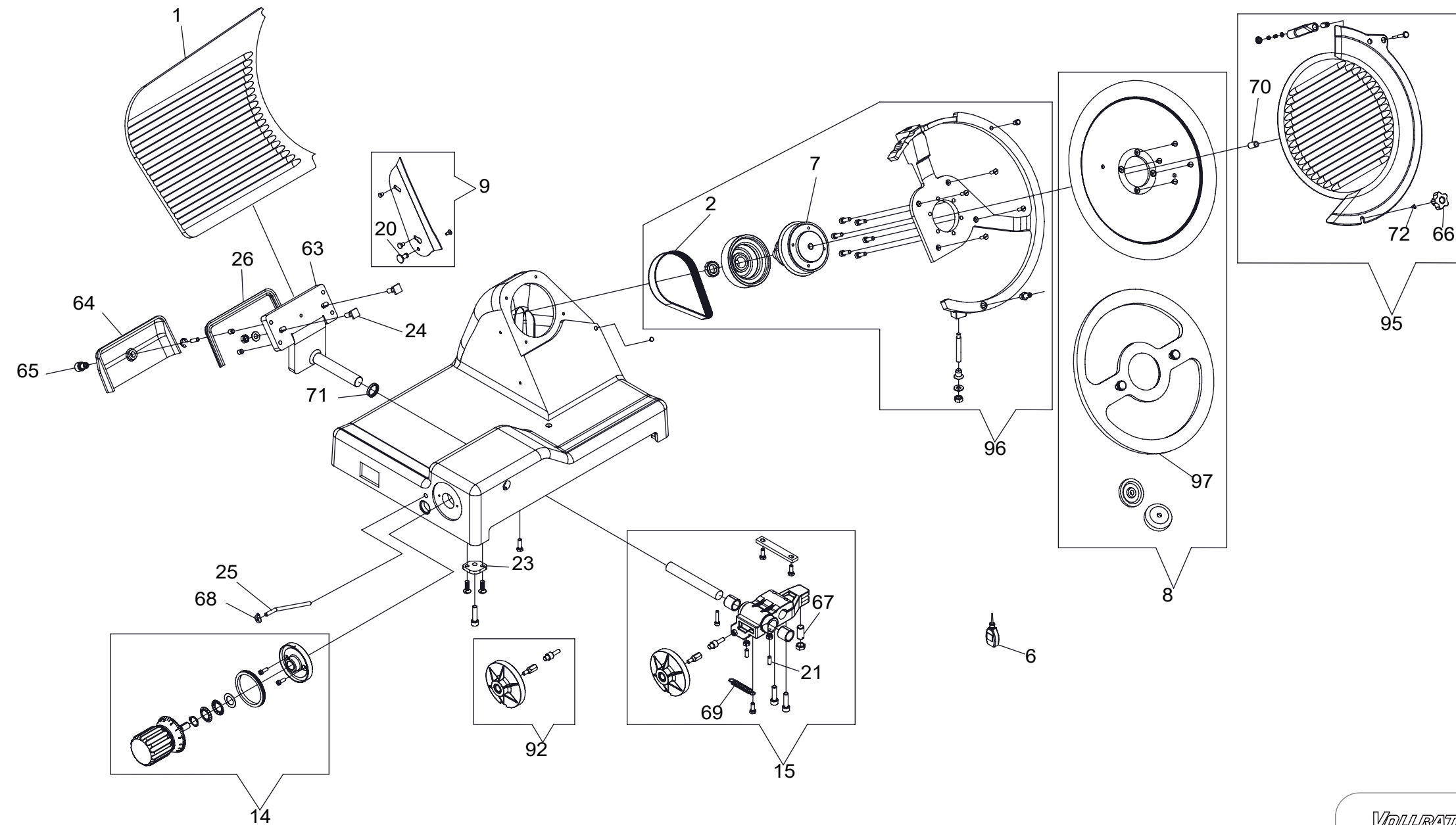
ITEM NO.	PART NUMBER	DESCRIPTION	QTY
84	XSSL5232	CARRIAGE SLIDE ROD	1
85	XSSL5234	CARRIAGE RELEASE TIP	1
86	XSSL5235	CARRIAGE RELEASE PIN	1
87	XSSL5236	CARRIAGE RELEASE BUSHING	1
88	XSSL5237	LOCK RING - EXTERNAL THREADS	1
89	XSSL5238	SHARPENING PIN	1
90	XSSL5239	DEBURRING PIN	1
91	XSSL5240	FOOD PRESS SLIDE ROD	1
92	XSSL5241	KIT - GAUGE PLATE CAM AND PIN	1
93	XSSL5249	KIT - CARRIAGE SLIDE ASSEMBLY	1
94	XSSL5250	MOTOR 115/60 UL	1
95	XSSL5255	KIT - BLADE COVER V.3	1
96	XSSL5256	KIT - BLADE RING V.3	1
97	40893	12' SAFE BLADE REMOVAL TOOL	1

NOTE:  
 SHEETS 1-6 ARE 40954 V1: S/N F211-H088  
 SHEETS 7-12 ARE 40954 V2: H146-J038  
 SHEETS 13-18 ARE 40954 V3: J150-CURRENT PRODUCTION



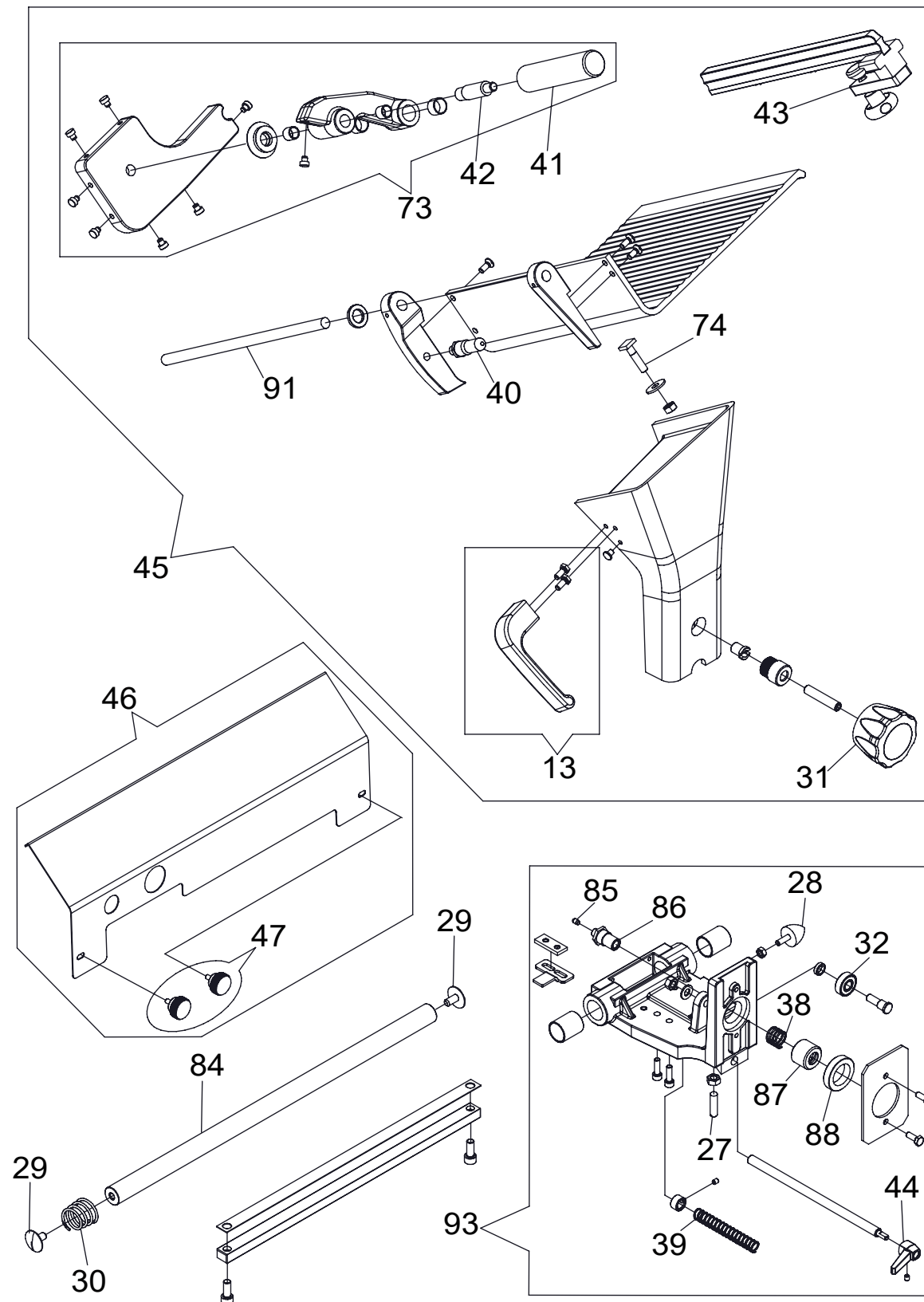
**CONFIDENTIAL DESIGN**

The Vollrath Company, L.L.C. ("Vollrath") considers this new design proprietary and confidential. Due to the existing relationship of trust and good faith between Vollrath and Recipient, Vollrath is providing this proprietary and confidential design and related information to Recipient with the understanding that Recipient will maintain such design and information in secrecy and will not directly or indirectly use, disseminate, or otherwise disclose this proprietary and confidential information to any outside person or organization without the express written prior consent of The Vollrath Company, L.L.C.



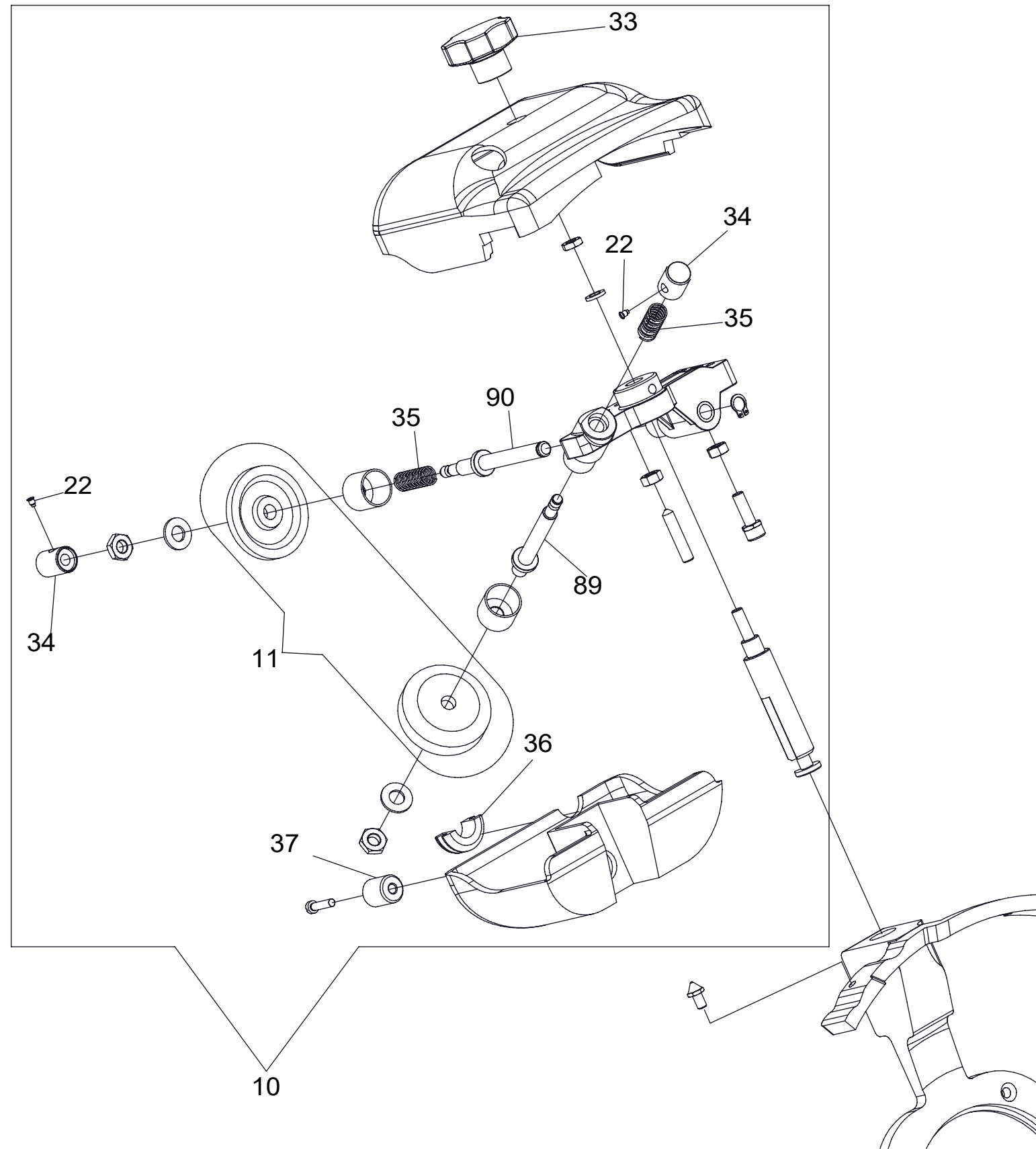
**CONFIDENTIAL DESIGN**

The Vollrath Company, L.L.C. ("Vollrath") considers this new design proprietary and confidential. Due to the existing relationship of trust and good faith between Vollrath and Recipient, Vollrath is providing this proprietary and confidential design and related information to Recipient with the understanding that Recipient will maintain such design and information in secrecy and will not directly or indirectly use, disseminate, or otherwise disclose this proprietary and confidential information to any outside person or organization without the express written prior consent of The Vollrath Company, L.L.C.



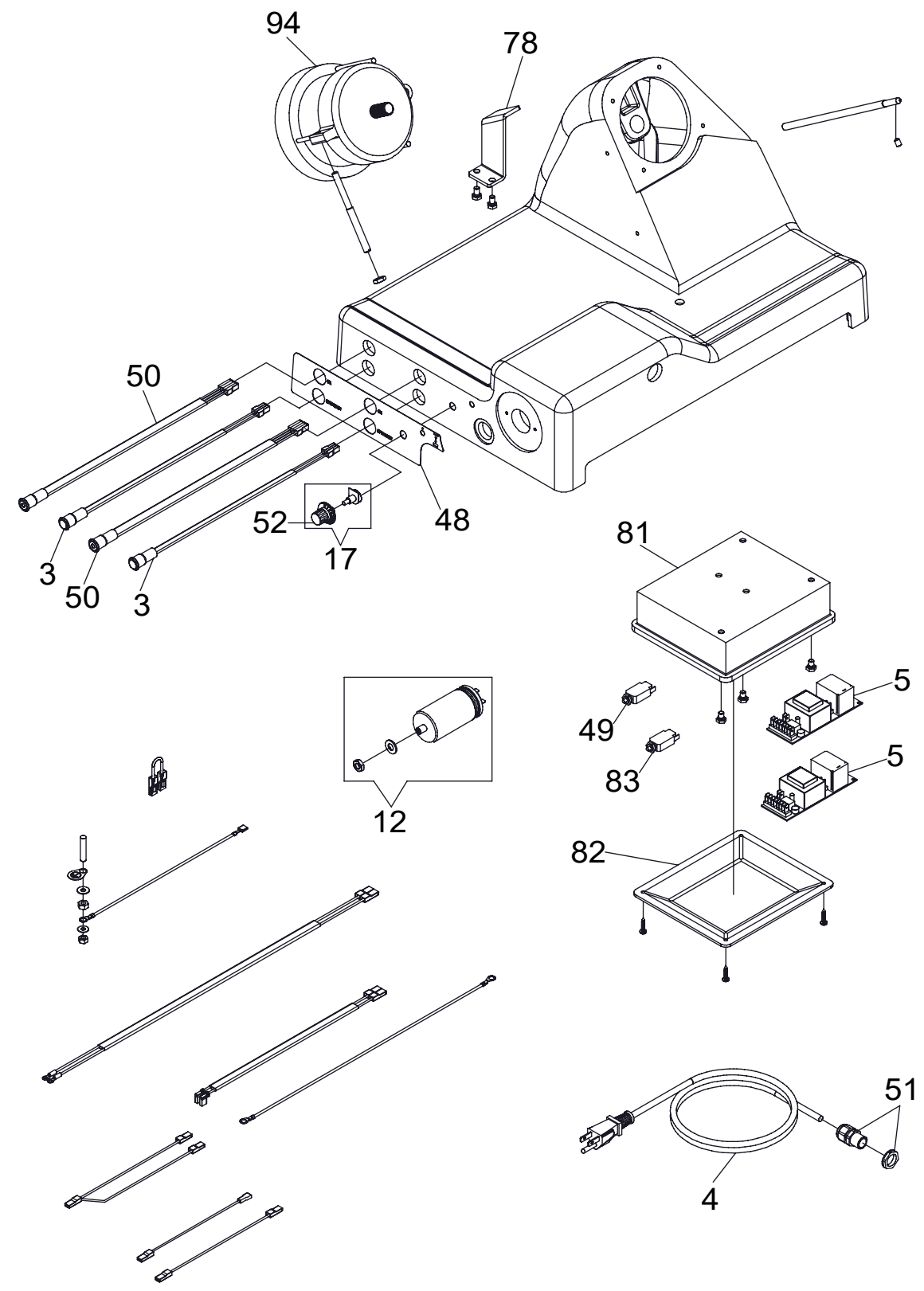
**CONFIDENTIAL DESIGN**

The Vollrath Company, L.L.C. ("Vollrath") considers this new design proprietary and confidential. Due to the existing relationship of trust and good faith between Vollrath and Recipient, Vollrath is providing this proprietary and confidential design and related information to Recipient with the understanding that Recipient will maintain such design and information in secrecy and will not directly or indirectly use, disseminate, or otherwise disclose this proprietary and confidential information to any outside person or organization without the express written prior consent of The Vollrath Company, L.L.C.



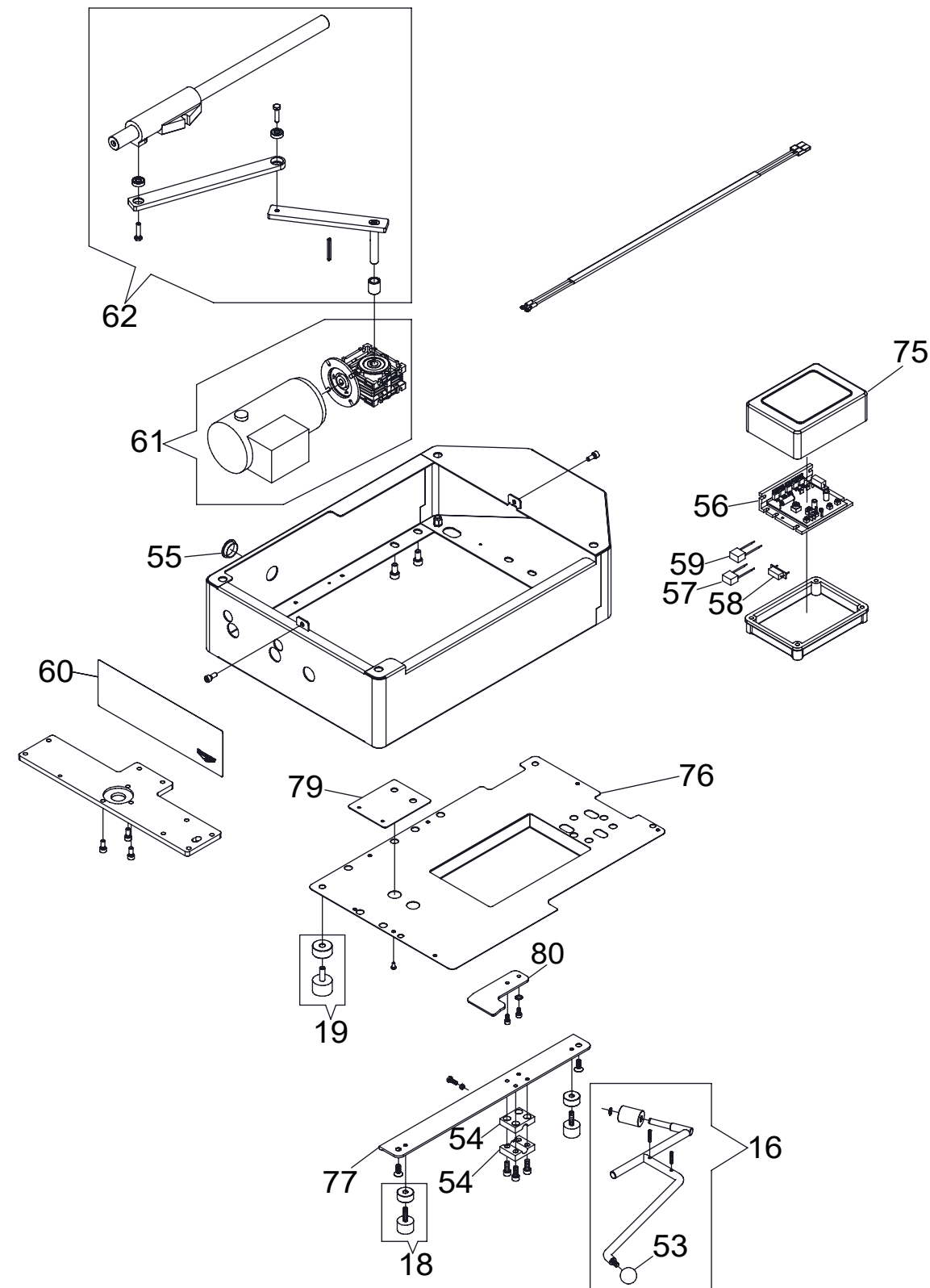
**CONFIDENTIAL DESIGN**

The Vollrath Company, L.L.C. ("Vollrath") considers this new design proprietary and confidential. Due to the existing relationship of trust and good faith between Vollrath and Recipient, Vollrath is providing this proprietary and confidential design and related information to Recipient with the understanding that Recipient will maintain such design and information in secrecy and will not directly or indirectly use, disseminate, or otherwise disclose this proprietary and confidential information to any outside person or organization without the express written prior consent of The Vollrath Company, L.L.C.



**CONFIDENTIAL DESIGN**

The Vollrath Company, L.L.C. ("Vollrath") considers this new design proprietary and confidential. Due to the existing relationship of trust and good faith between Vollrath and Recipient, Vollrath is providing this proprietary and confidential design and related information to Recipient with the understanding that Recipient will maintain such design and information in secrecy and will not directly or indirectly use, disseminate, or otherwise disclose this proprietary and confidential information to any outside person or organization without the express written prior consent of The Vollrath Company, L.L.C.



**CONFIDENTIAL DESIGN**

The Vollrath Company, L.L.C. ("Vollrath") considers this new design proprietary and confidential. Due to the existing relationship of trust and good faith between Vollrath and Recipient, Vollrath is providing this proprietary and confidential design and related information to Recipient with the understanding that Recipient will maintain such design and information in secrecy and will not directly or indirectly use, disseminate, or otherwise disclose this proprietary and confidential information to any outside person or organization without the express written prior consent of The Vollrath Company, L.L.C.