

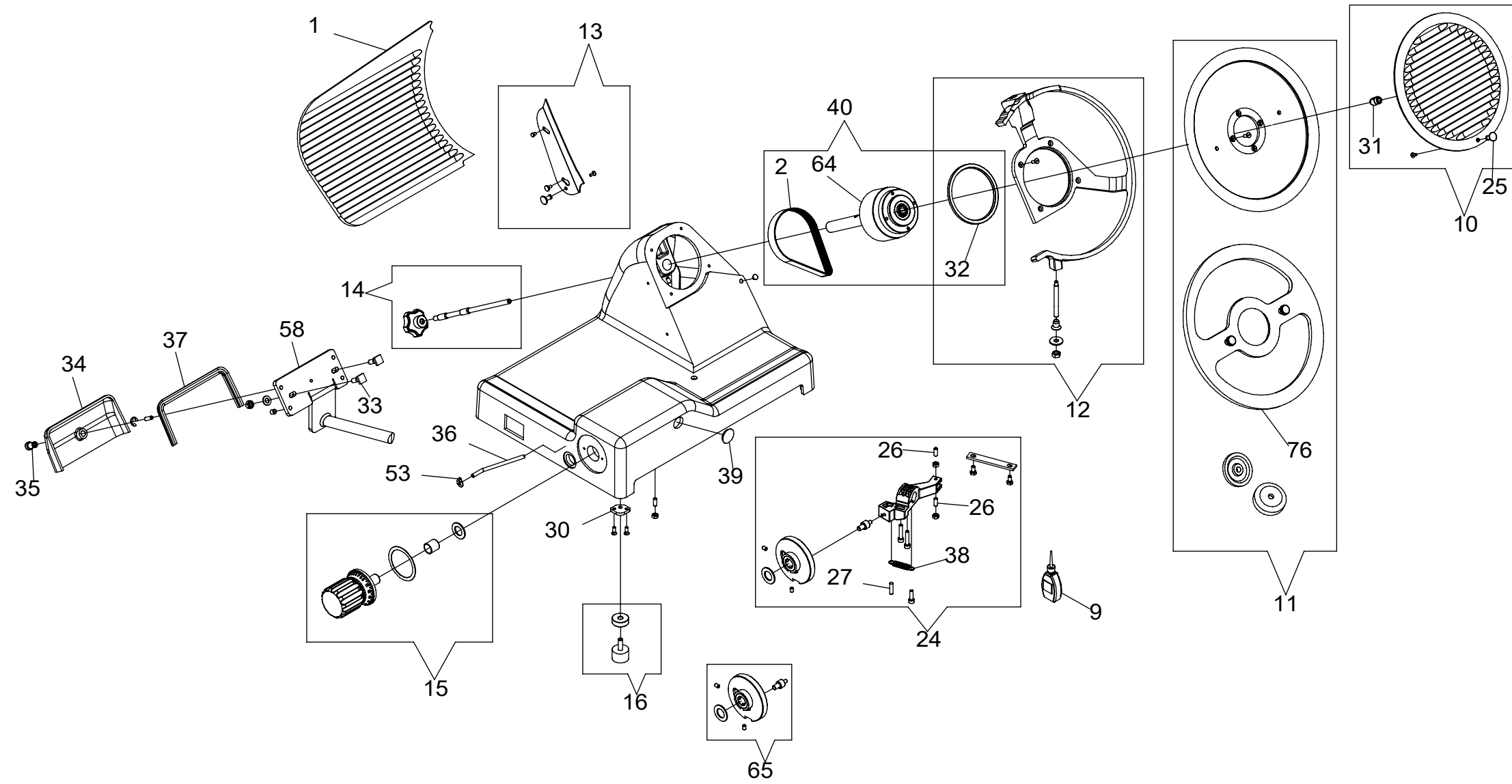


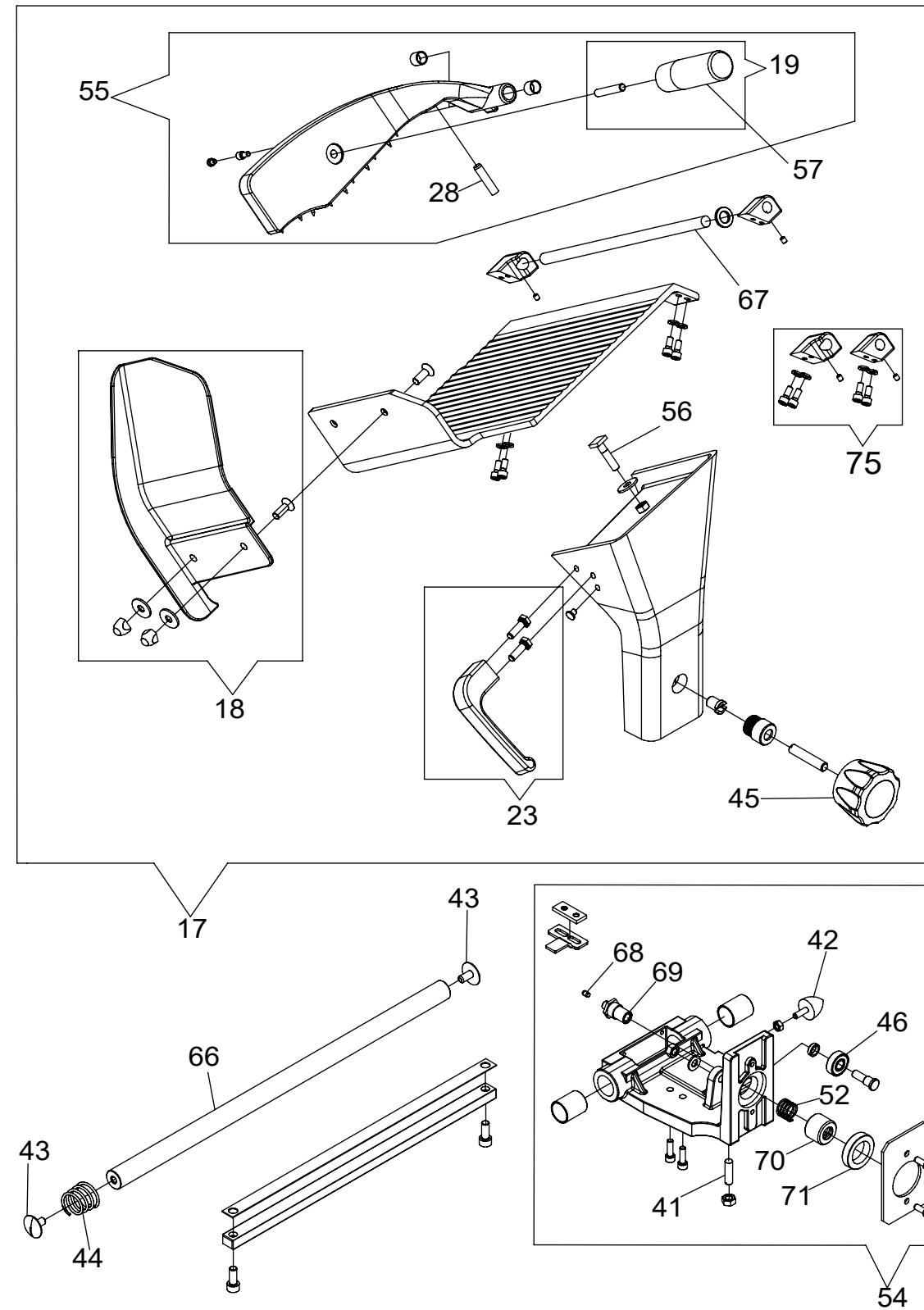
12" 120V Heavy Duty Electric Slicer

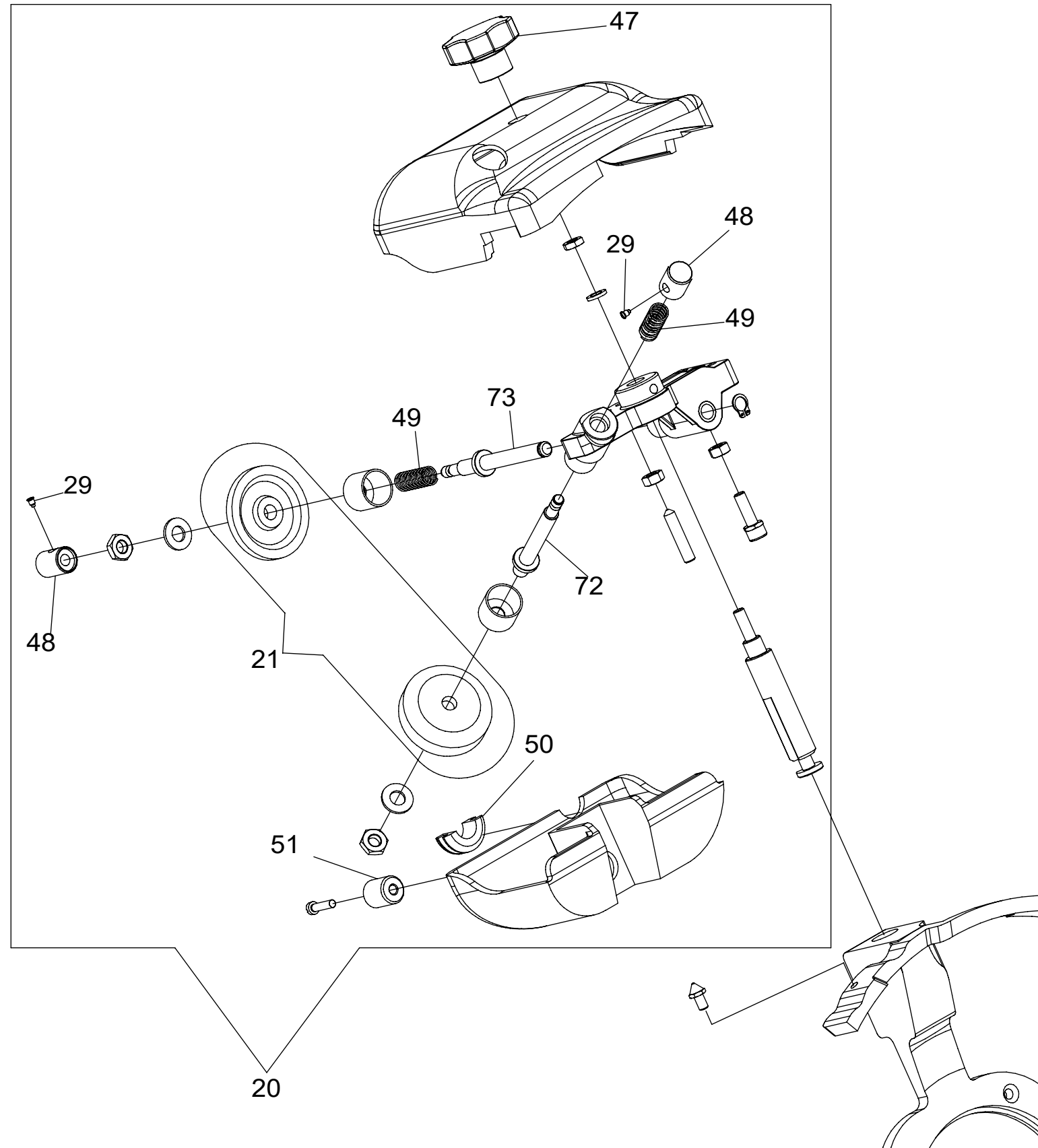
ITEM NO.	PART NUMBER	DESCRIPTION	QTY
1	XSSL5002	GAUGE PLATE	1
2	XSSL5006	BELT	1
3	XSSL5009	MOTOR, 115/60 HZ UL	1
4	XSSL5012	ON/OFF SWITCH, 110V	1
5	XSSL5014	MOTOR THERMAL RESET, 5A UL	1
6	XSSL5016	INDICATOR LIGHT BLUE, 110 V UL	1
7	XSSL5018	POWER CORD, 110/60 PA 205	1
8	XSSL5022	CONTROL LABEL	1
9	XSSL5027	OIL BOTTLE	1
10	XSSL5058	KIT - BLADE COVER	1
11	XSSL5059	KIT - BLADE	1
12	XSSL5060	KIT - BLADE RING	1
13	XSSL5061	KIT - SLICE DEFLECTOR	1
14	XSSL5062	KIT - BLADE COVER TIE ROD	1
15	XSSL5063	KIT - THICKNESS KNOB	1
16	XSSL5064	KIT - RUBBER FOOT	4
17	XSSL5066	KIT - CARRIAGE & TRAY ASSEMBLY	1
18	XSSL5067	KIT - THUMB GUARD	1
19	XSSL5068	KIT - FOOD PRESS HANDLE	1
20	XSSL5069	KIT - SHARPENER ASSEMBLY	1
21	XSSL5070	KIT - SHARPENING STONE WHEELS	1
22	XSSL5071	KIT - MOTOR CAPACITOR	1
23	XSSL5072	KIT - CARRIAGE HANDLE	1
24	XSSL5086	KIT - GAUGE PLATE MOVEMENT	1
25	XSSL5090	BLADE COVER/SLICE DEFLECTOR KNOB	1
26	XSSL5097	BRASS STUD BOLT, M6X17	2
27	XSSL5103	BRASS STUD BOLT, M6X25	1
28	XSSL5107	FOOD PUSHER BUFFER	1
29	XSSL5112	BUTTON LOCKING SCREW	2
30	XSSL5126	FOOT PLATE	4
31	XSSL5127	BLADE COVER ADAPTOR	1
32	XSSL5128	BLADE HUB SEAL, 95X110X6	1
33	XSSL5129	GAUGE PLATE BOLT, M8X29	2
34	XSSL5130	GAUGE PLATE SUPPORT COVER	1
35	XSSL5131	GAUGE PLATE SUPPORT COVER KNOB	1
36	XSSL5132	OIL TUBE	1
37	XSSL5133	GAUGE PLATE SUPPORT COVER SEAL	1
38	XSSL5134	GAUGE PLATE SLIDE SPRING	1
39	XSSL5135	SNAP-IN COVER	1
40	XSSL5136	KIT - BLADE HUB W/BELT & SEAL	1
41	XSSL5137	BRASS STUD BOLT, M8	1
42	XSSL5138	CARRIAGE SLIDE BUFFER, M6X17	1
43	XSSL5139	CARRIAGE SLIDE ROD SCREW	2
44	XSSL5140	CARRIAGE SLIDE ROD SPRING	1
45	XSSL5141	FOOD TRAY SUPPORT KNOB	1
46	XSSL5142	CARRIAGE BEARING	1

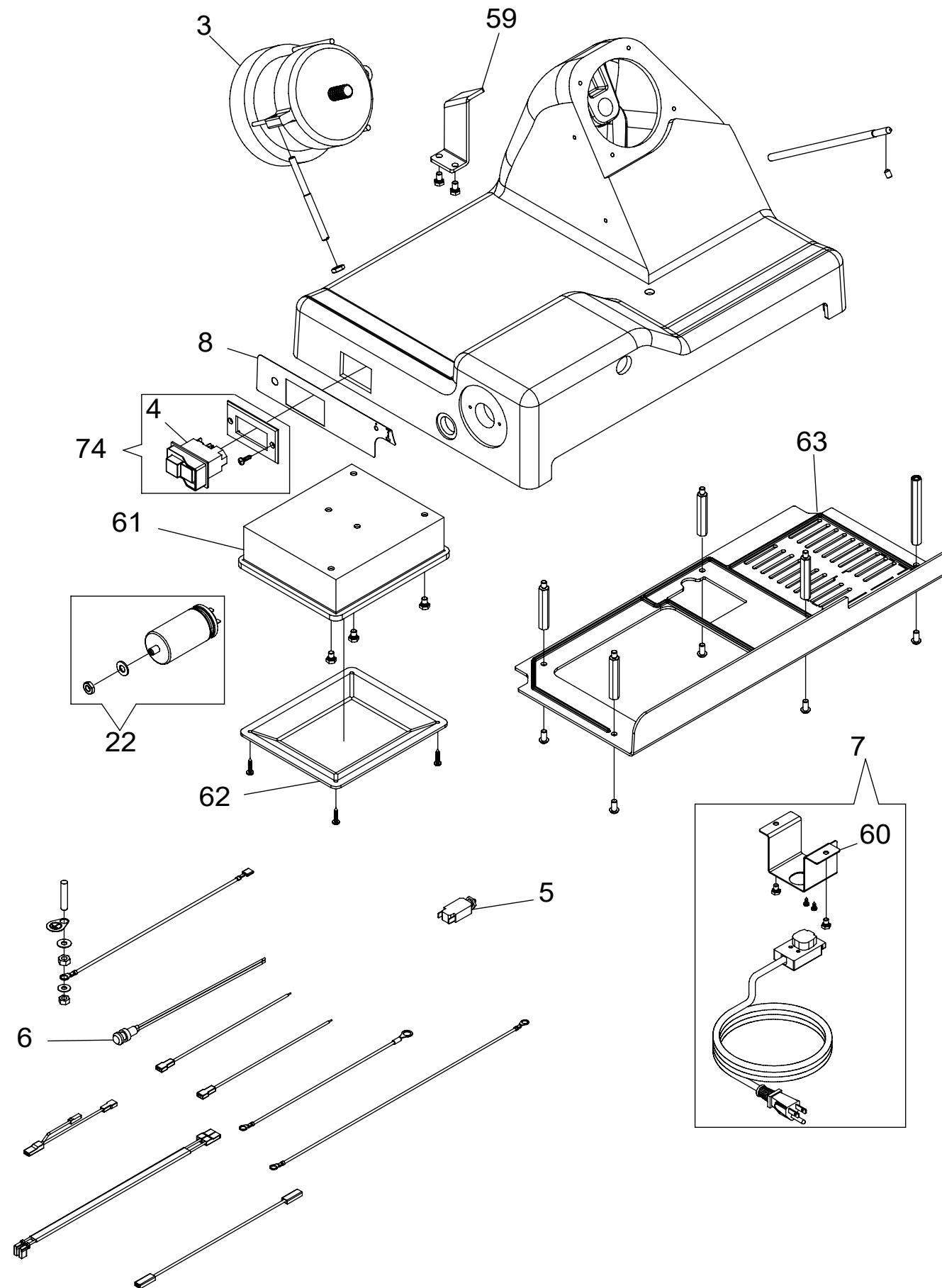
ITEM NO.	PART NUMBER	DESCRIPTION	QTY
47	XSSL5144	SHARPENER ASSEMBLY KNOB	1
48	XSSL5145	SHARPENER PUSH BUTTON	2
49	XSSL5146	SHARPENER PIN SPRING	2
50	XSSL5147	SHARPENER VIBRATION DAMPER	1
51	XSSL5148	SHARPENER COVER S/S KNOB	1
52	XSSL5149	CARRIAGE RELEASE SPRING	1
53	XSSL5180	OIL TUBE COVER	1
54	XSSL5194	KIT - CARRIAGE SLIDE ASSEMBLY	1
55	XSSL5201	KIT - FOOD PRESS ASSEMBLY	1
56	XSSL5202	GAUGE PLATE BOLT, M8X38	2
57	XSSL5204	FOOD PUSHER HANDLE	1
58	XSSL5205	GAUGE PLATE SUPPORT	1
59	XSSL5208	MOTOR SUPPORT BRACKET	1
60	XSSL5210	POWER CORD SUPPORT BRACKET	1
61	XSSL5212	RELAY BOX	1
62	XSSL5213	RELAY BOX COVER	1
63	XSSL5216	BOTTOM COVER	1
64	XSSL5221	BLADE HUB ASSEMBLY	1
65	XSSL5231	KIT - GAUGE PLATE CAM AND PIN	1
66	XSSL5232	CARRIAGE SLIDE ROD	1
67	XSSL5233	FOOD PRESS SLIDE ROD	1
68	XSSL5234	CARRIAGE RELEASE TIP	1
69	XSSL5235	CARRIAGE RELEASE PIN	1
70	XSSL5236	CARRIAGE RELEASE BUSHING	1
71	XSSL5237	LOCK RING - EXTERNAL THREADS	1
72	XSSL5238	SHARPENING PIN	1
73	XSSL5239	DEBURRING PIN	1
74	XSSL5246	KIT - ON/OFF SWITCH	1
75	XSSL5254	KIT - ROD BLOCKS	1
76	40893	12" SAFE BLADE REMOVAL TOOL	1

NOTE:
 SHEETS 1-5 ARE 40952 V1: S/N F211-H088
 SHEETS 6-10 ARE 40952 V2: S/N H146-J038
 SHEETS 11-15 ARE 40952 V3: S/N J150-CURRENT PRODUCTION









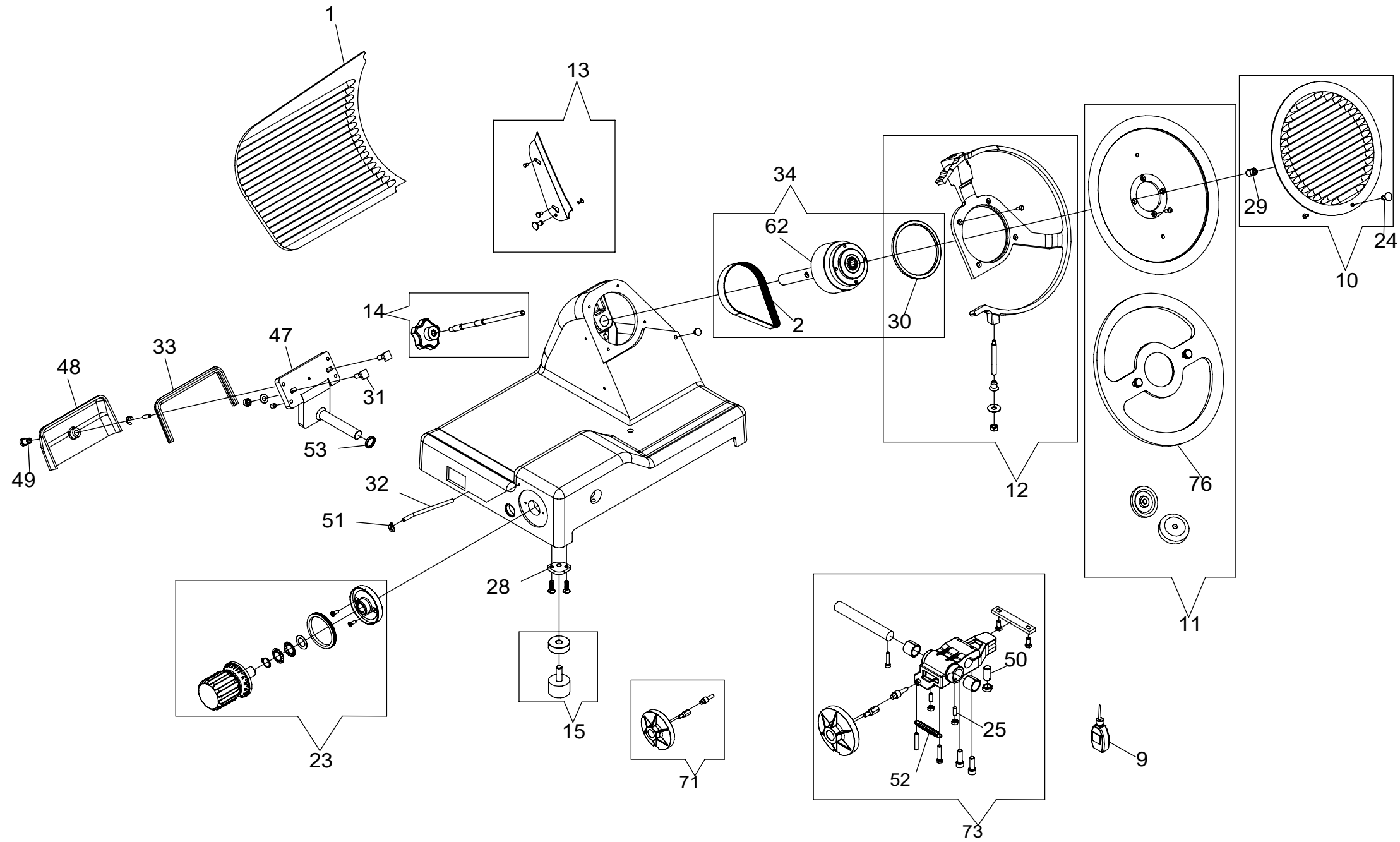


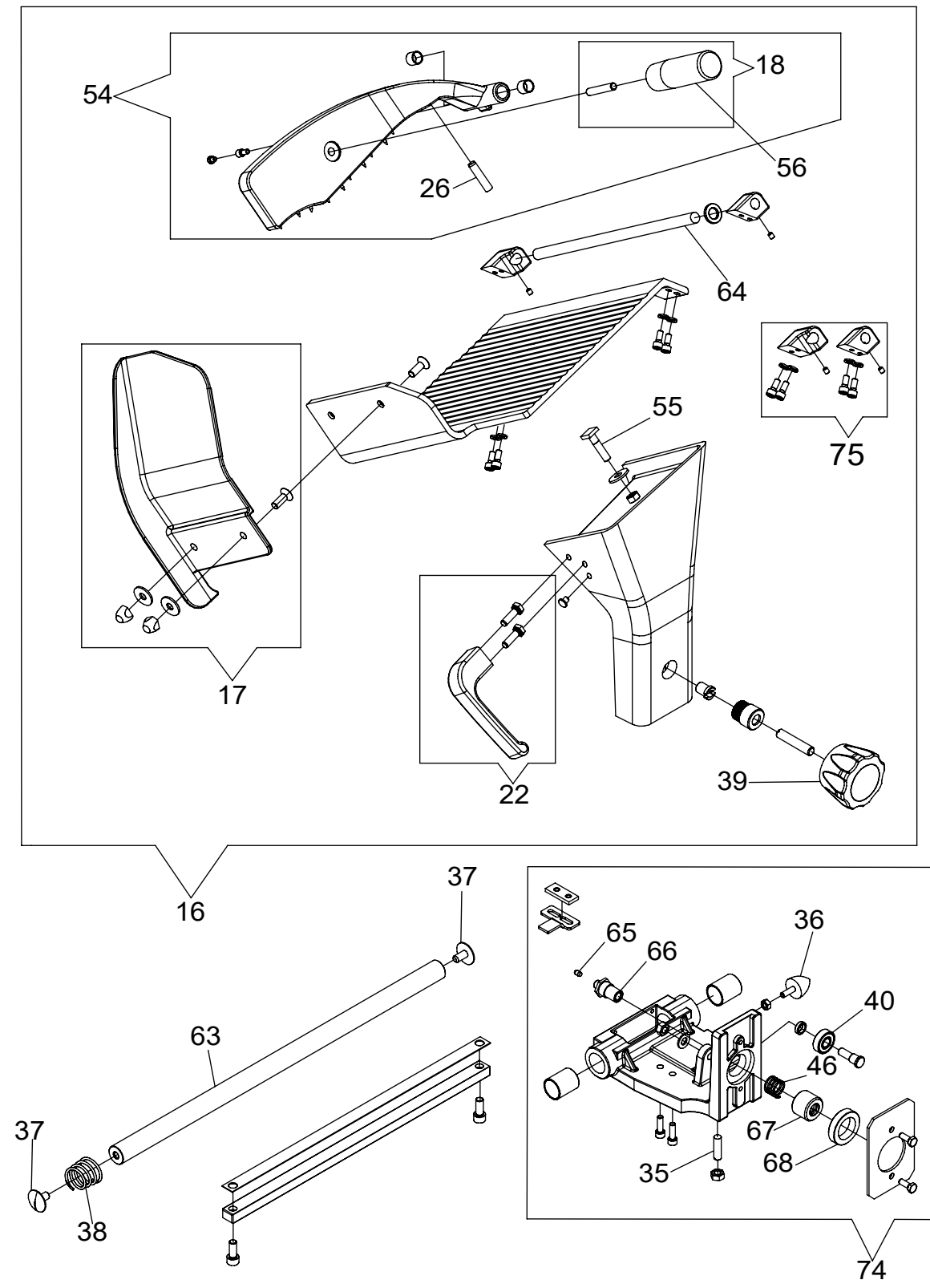
12" 120V Heavy Duty Electric Slicer

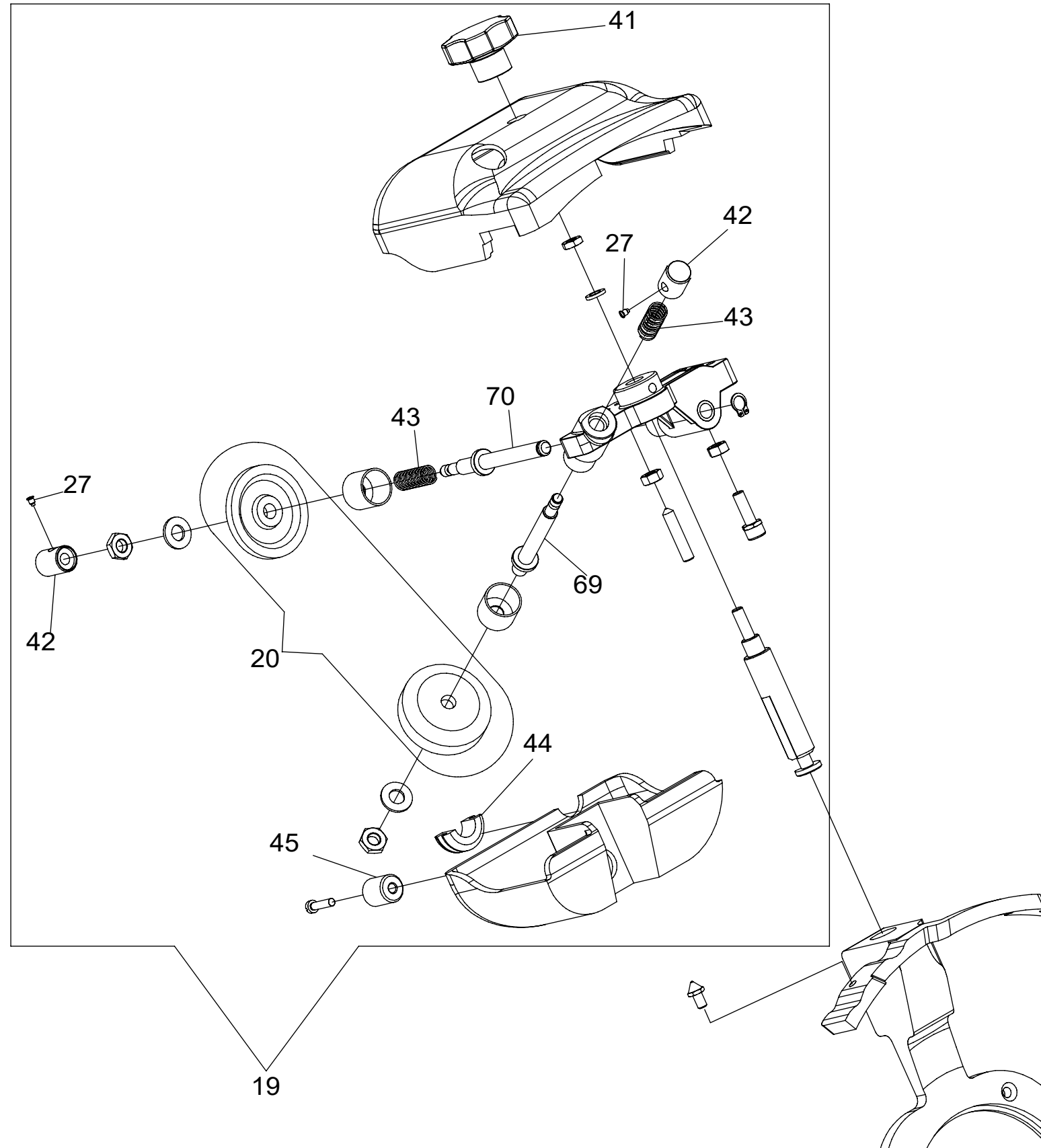
ITEM NO.	PART NUMBER	DESCRIPTION	QTY.
1	XSSL5002	GAUGE PLATE	1
2	XSSL5006	BELT	1
3	XSSL5009	MOTOR, 115/60 HZ UL	1
4	XSSL5012	ON/OFF SWITCH, 110V	1
5	XSSL5014	MOTOR THERMAL RESET, 5A UL	1
6	XSSL5016	INDICATOR LIGHT BLUE, 110 V UL	1
7	XSSL5018	POWER CORD, 110/60 PA 205	1
8	XSSL5022	CONTROL LABEL	1
9	XSSL5027	OIL BOTTLE	1
10	XSSL5058	KIT - BLADE COVER	1
11	XSSL5059	KIT - BLADE	1
12	XSSL5060	KIT - BLADE RING	1
13	XSSL5061	KIT - SLICE DEFLECTOR	1
14	XSSL5062	KIT - BLADE COVER TIE ROD	1
15	XSSL5064	KIT - RUBBER FOOT	4
16	XSSL5066	KIT - CARRIAGE & TRAY ASSEMBLY	1
17	XSSL5067	KIT - THUMB GUARD	1
18	XSSL5068	KIT - FOOD PRESS HANDLE	1
19	XSSL5069	KIT - SHARPENER ASSEMBLY	1
20	XSSL5070	KIT - SHARPENING STONE WHEELS	1
21	XSSL5071	KIT - MOTOR CAPACITOR	1
22	XSSL5072	KIT - CARRIAGE HANDLE	1
23	XSSL5077	KIT - THICKNESS KNOB	1
24	XSSL5090	BLADE COVER/SLICE DEFLECTOR KNOB	1
25	XSSL5097	BRASS STUD BOLT, M6X17	2
26	XSSL5107	FOOD PUSHER BUFFER	1
27	XSSL5112	BUTTON LOCKING SCREW	2
28	XSSL5126	FOOT PLATE	4
29	XSSL5127	BLADE COVER ADAPTOR	1
30	XSSL5128	BLADE HUB SEAL, 95X110X6	1
31	XSSL5129	GAUGE PLATE BOLT, M8X29	2
32	XSSL5132	OIL TUBE	1
33	XSSL5133	GAUGE PLATE SUPPORT COVER SEAL	1
34	XSSL5136	KIT - BLADE HUB W/BELT & SEAL	1
35	XSSL5137	BRASS STUD BOLT, M8	1
36	XSSL5138	CARRIAGE SLIDE BUFFER, M6X17	1
37	XSSL5139	CARRIAGE SLIDE ROD SCREW	2
38	XSSL5140	CARRIAGE SLIDE ROD SPRING	1
39	XSSL5141	FOOD TRAY SUPPORT KNOB	1
40	XSSL5142	CARRIAGE BEARING	1
41	XSSL5144	SHARPENER ASSEMBLY KNOB	1
42	XSSL5145	SHARPENER PUSH BUTTON	2
43	XSSL5146	SHARPENER PIN SPRING	2
44	XSSL5147	SHARPENER VIBRATION DAMPER	1
45	XSSL5148	SHARPENER COVER S/S KNOB	1
46	XSSL5149	CARRIAGE RELEASE SPRING	1

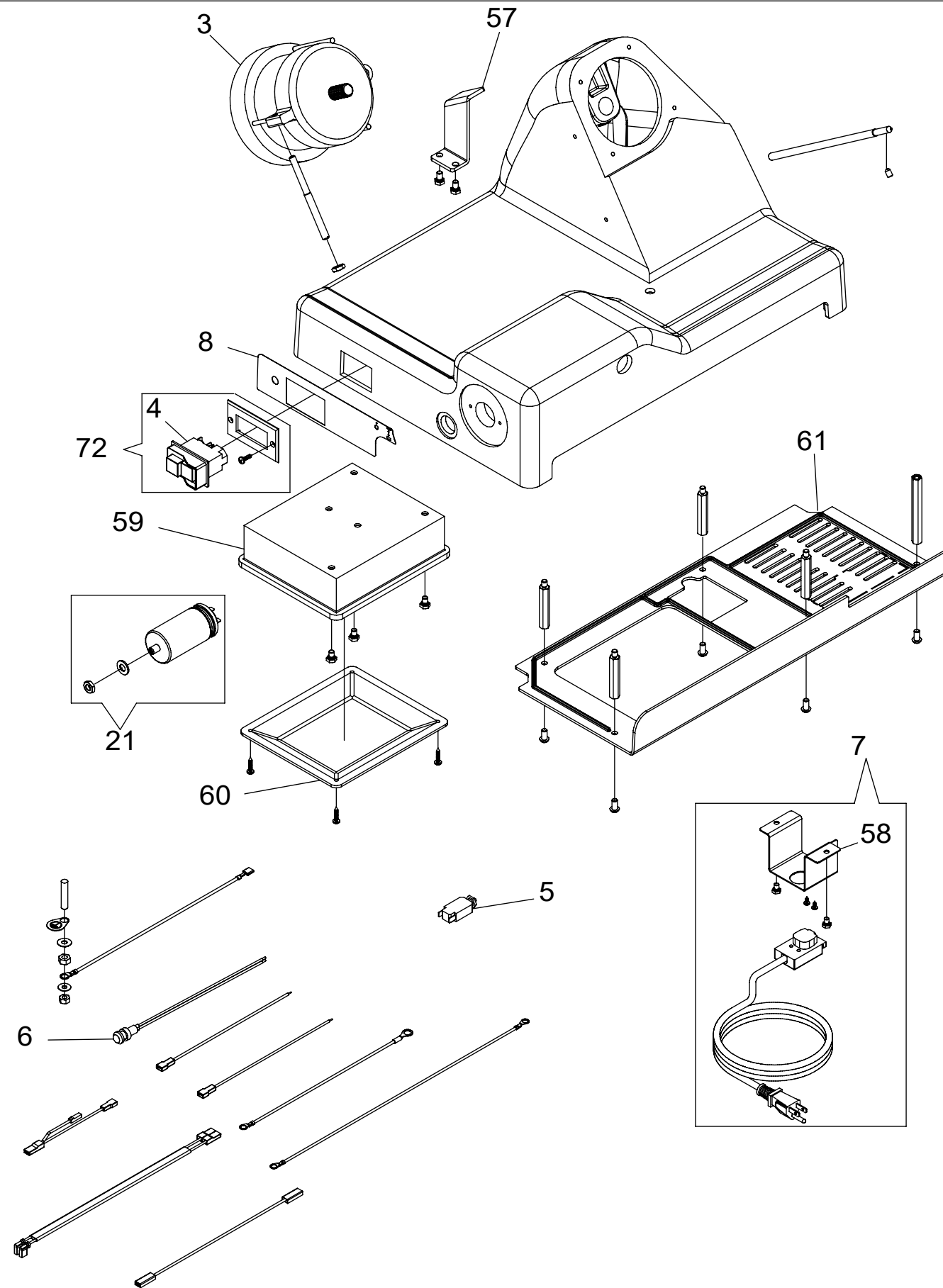
ITEM NO.	PART NUMBER	DESCRIPTION	QTY.
47	XSSL5175	GAUGE PLATE SUPPORT	1
48	XSSL5176	GAUGE PLATE SUPPORT COVER	1
49	XSSL5177	GAUGE PLATE SUPPORT COVER KN	1
50	XSSL5179	BRASS STUD BOLT	1
51	XSSL5180	OIL TUBE COVER	1
52	XSSL5181	GAUGE PLATE SLIDE SPRING	1
53	XSSL5183	GAUGE PLATE SUPPORT SEAL	1
54	XSSL5201	KIT - FOOD PRESS ASSEMBLY	1
55	XSSL5202	GAUGE PLATE BOLT, M8X38	2
56	XSSL5204	FOOD PUSHER HANDLE	1
57	XSSL5208	MOTOR SUPPORT BRACKET	1
58	XSSL5210	POWER CORD SUPPORT BRACKET	1
59	XSSL5212	RELAY BOX	1
60	XSSL5213	RELAY BOX COVER	1
61	XSSL5216	BOTTOM COVER	1
62	XSSL5221	BLADE HUB ASSEMBLY	1
63	XSSL5232	CARRIAGE SLIDE ROD	1
64	XSSL5233	FOOD PRESS SLIDE ROD	1
65	XSSL5234	CARRIAGE RELEASE TIP	1
66	XSSL5235	CARRIAGE RELEASE PIN	1
67	XSSL5236	CARRIAGE RELEASE BUSHING	1
68	XSSL5237	LOCK RING - EXTERNAL THREADS	1
69	XSSL5238	SHARPENING PIN	1
70	XSSL5239	DEBURRING PIN	1
71	XSSL5241	KIT - GAUGE PLATE CAM AND PIN	1
72	XSSL5246	KIT - ON/OFF SWITCH	1
73	XSSL5247	KIT - GAUGE PLATE MOVEMENT	1
74	XSSL5248	KIT - CARRIAGE SLIDE ASSEMBLY	1
75	XSSL5254	KIT - ROD BLOCKS	1
76	40893	12" SAFE BLADE REMOVAL TOOL	1

NOTE:
 SHEETS 1-5 ARE 40952 V1: S/N F211-H088
 SHEETS 6-10 ARE 40952 V2: S/N H146-J038
 SHEETS 11-15 ARE 40952 V3: S/N J150-CURRENT PRODUCTION











12" 120V Heavy Duty Electric Slicer

ITEM NO.	PART NUMBER	DESCRIPTION	QTY
1	XSSL5002	GAUGE PLATE	1
2	XSSL5006	BELT	1
3	XSSL5009	MOTOR, 115/60 HZ UL	1
4	XSSL5012	ON/OFF SWITCH, 110V	1
5	XSSL5014	MOTOR THERMAL RESET, 5A UL	1
6	XSSL5016	INDICATOR LIGHT BLUE, 110 V UL	1
7	XSSL5018	POWER CORD, 110/60 PA 205	1
8	XSSL5022	CONTROL LABEL	1
9	XSSL5027	OIL BOTTLE	1
10	XSSL5031	BLADE HUB ASSEMBLY	1
11	XSSL5059	KIT - BLADE	1
12	XSSL5061	KIT - SLICE DEFLECTOR	1
13	XSSL5064	KIT - RUBBER FOOT	4
14	XSSL5066	KIT - CARRIAGE & TRAY ASSEMBLY	1
15	XSSL5067	KIT - THUMB GUARD	1
16	XSSL5068	KIT - FOOD PRESS HANDLE	1
17	XSSL5069	KIT - SHARPENER ASSEMBLY	1
18	XSSL5070	KIT - SHARPENING STONE WHEELS	1
19	XSSL5071	KIT - MOTOR CAPACITOR	1
20	XSSL5072	KIT - CARRIAGE HANDLE	1
21	XSSL5077	KIT - THICKNESS KNOB	1
22	XSSL5083	KIT - GAUGE PLATE MOVEMENT	1
23	XSSL5090	BLADE COVER/SLICE DEFLECTOR KNOB	1
24	XSSL5097	BRASS STUD BOLT, M6X17	2
25	XSSL5107	FOOD PUSHER BUFFER	1
26	XSSL5112	BUTTON LOCKING SCREW	2
27	XSSL5126	FOOT PLATE	4
28	XSSL5129	GAUGE PLATE BOLT, M8X29	2
29	XSSL5132	OIL TUBE	1
30	XSSL5133	GAUGE PLATE SUPPORT COVER SEAL	1
31	XSSL5138	CARRIAGE SLIDE BUFFER, M6X17	1
32	XSSL5139	CARRIAGE SLIDE ROD SCREW	1
33	XSSL5140	CARRIAGE SLIDE ROD SPRING	1
34	XSSL5141	FOOD TRAY SUPPORT KNOB	1
35	XSSL5142	CARRIAGE BEARING	1
36	XSSL5144	SHARPENER ASSEMBLY KNOB	1
37	XSSL5145	SHARPENER PUSH BUTTON	2
38	XSSL5146	SHARPENER PIN SPRING	2
39	XSSL5147	SHARPENER VIBRATION DAMPER	1
40	XSSL5148	SHARPENER COVER S/S KNOB	1
41	XSSL5149	CARRIAGE RELEASE SPRING	1
42	XSSL5175	GAUGE PLATE SUPPORT	1
43	XSSL5176	GAUGE PLATE SUPPORT COVER	1
44	XSSL5177	GAUGE PLATE SUPPORT COVER KNOB	1
45	XSSL5178	BLADE COVER KNOB	1
46	XSSL5179	BRASS STUD BOLT	1

ITEM NO.	PART NUMBER	DESCRIPTION	QTY
47	XSSL5180	OIL TUBE COVER	1
48	XSSL5181	GAUGE PLATE SLIDE SPRING	1
49	XSSL5182	BLADE HUB PLUG	1
50	XSSL5183	GAUGE PLATE SUPPORT SEAL	1
51	XSSL5184	BLADE COVER KNOB SCREW, M4X0	1
52	XSSL5188	BRASS STUD BOLT, M8	1
53	XSSL5201	KIT - FOOD PRESS ASSEMBLY	1
54	XSSL5202	GAUGE PLATE BOLT, M8X38	2
55	XSSL5204	FOOD PUSHER HANDLE	1
56	XSSL5208	MOTOR SUPPORT BRACKET	1
57	XSSL5210	POWER CORD SUPPORT BRACKET	1
58	XSSL5212	RELAY BOX	1
59	XSSL5213	RELAY BOX COVER	1
60	XSSL5216	BOTTOM COVER	1
61	XSSL5232	CARRIAGE SLIDE ROD	1
62	XSSL5233	FOOD PRESS SLIDE ROD	1
63	XSSL5234	CARRIAGE RELEASE TIP	1
64	XSSL5235	CARRIAGE RELEASE PIN	1
65	XSSL5236	CARRIAGE RELEASE BUSHING	1
66	XSSL5237	LOCK RING - EXTERNAL THREADS	1
67	XSSL5238	SHARPENING PIN	1
68	XSSL5239	DEBURRING PIN	1
69	XSSL5241	KIT - GAUGE PLATE CAM AND PIN	1
70	XSSL5246	KIT - ON/OFF SWITCH	1
71	XSSL5248	KIT - CARRIAGE SLIDE ASSEMBLY	1
72	XSSL5254	KIT - ROD BLOCKS	1
73	XSSL5255	KIT - BLADE COVER V.3	1
74	XSSL5256	KIT - BLADE RING V.3	1
75	40893	12" SAFE BLADE REMOVAL TOOL	1

NOTE:
 SHEETS 1-5 ARE 40952 V1: S/N F211-H088
 SHEETS 6-10 ARE 40952 V2: S/N H146-J038
 SHEETS 11-15 ARE 40952 V3: S/N J150-CURRENT PRODUCTION

