



12" 120V Medium Duty Electric Slicer

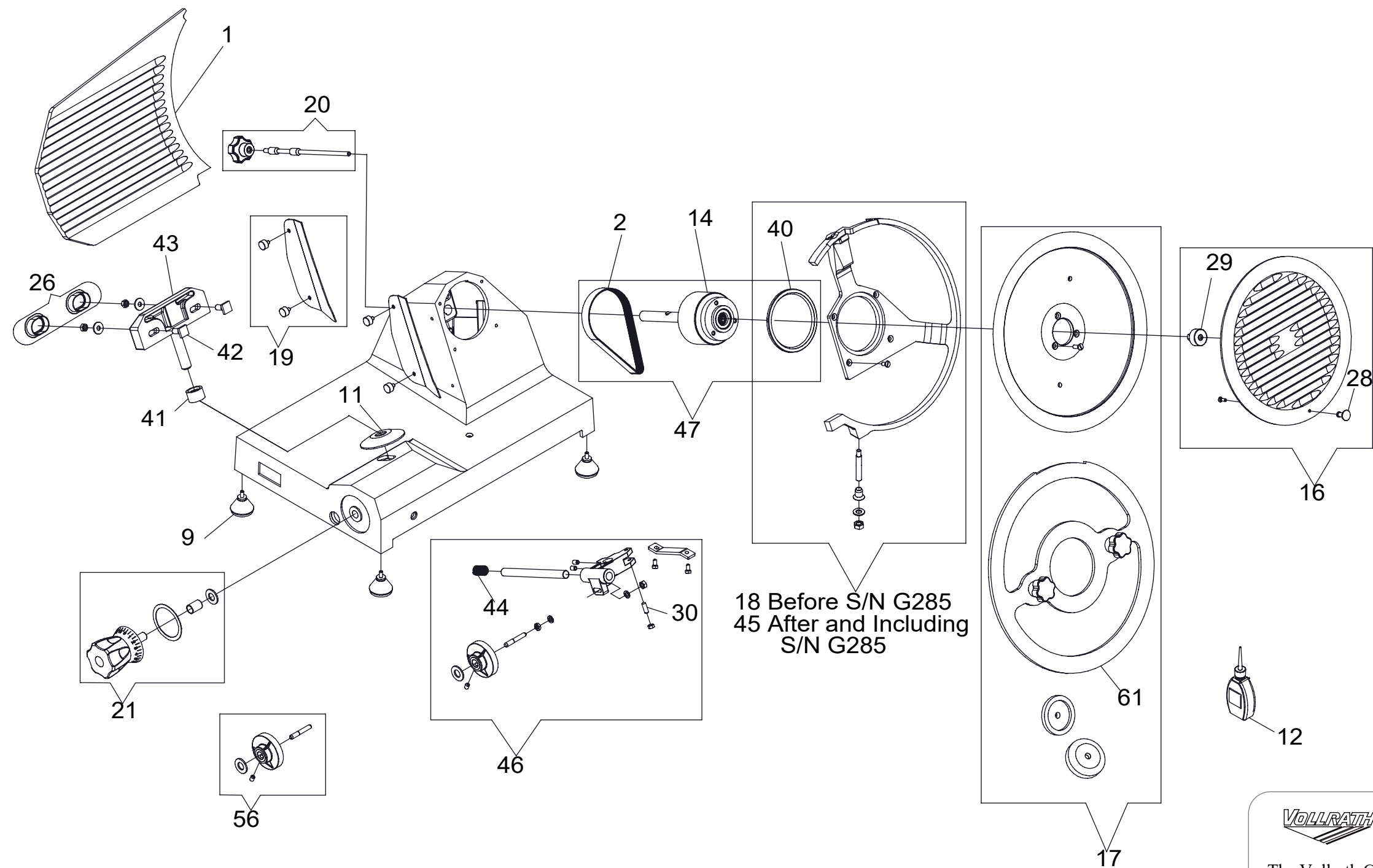
ITEM NO.	PART NUMBER	DESCRIPTION	QTY.
1	XSSL5001	GAUGE PLATE	1
2	XSSL5005	BELT	1
3	XSSL5008	MOTOR, 110/60 HZ	1
4	XSSL5012	ON/OFF SWITCH, 110V	1
5	XSSL5013	MOTOR THERMAL PROTECTION	1
6	XSSL5016	INDICATOR LIGHT BLUE, 110 V UL	1
7	XSSL5017	POWER CORD, 110/60 USA	1
8	XSSL5021	CONTROL LABEL	1
9	XSSL5024	FOOT	4
10	XSSL5025	FOOD PUSHER HANDLE	1
11	XSSL5026	GAUGE PLATE SUPPORT DRIP COVER	1
12	XSSL5027	OIL BOTTLE	1
13	XSSL5028	FOOD TRAY SUPPORT KNOB	1
14	XSSL5029	BLADE HUB ASSEMBLY	1
15	XSSL5041	KIT - SHARPENING STONE WHEELS	1
16	XSSL5045	KIT - BLADE COVER	1
17	XSSL5046	KIT - BLADE	1
18	XSSL5047	KIT - BLADE RING	1
19	XSSL5048	KIT - SLICE DEFLECTOR	1
20	XSSL5049	KIT - BLADE COVER TIE ROD	1
21	XSSL5050	KIT - THICKNESS KNOB	1
22	XSSL5052	KIT - CARRIAGE & TRAY ASSEMBLY	1
23	XSSL5053	KIT - THUMB GUARD	1
24	XSSL5054	KIT - SHARPENER ASSEMBLY	1
25	XSSL5055	KIT - MOTOR CAPACITOR	1
26	XSSL5056	KIT - GAUGE PLATE SUPPORT CAPS	1
27	XSSL5057	KIT - SHARPENER ASSY HOLD KNOB	1
28	XSSL5090	BLADE COVER/SLICE DEFLECTOR KNOB	1
29	XSSL5091	BLADE COVER ADAPTOR	1
30	XSSL5097	BRASS STUD BOLT, M6X17	1
31	XSSL5102	CARRIAGE SLIDE BUFFER, M5X12	1
32	XSSL5103	BRASS STUD BOLT, M5X25	1
33	XSSL5104	CARRIAGE BEARING	1
34	XSSL5107	FOOD PUSHER BUFFER	1
35	XSSL5109	SHARPENER ASSEMBLY KNOB	1
36	XSSL5110	SHARPENER PIN SPRING	2
37	XSSL5111	DEBURRING BUTTON	1
38	XSSL5112	BUTTON LOCKING SCREW	2
39	XSSL5114	SHARPENING BUTTON	1
40	XSSL5115	BLADE HUB SEAL, 80X95X5	1
41	XSSL5116	GAUGE PLATE SUPPORT SHAFT RING	1
42	XSSL5117	GAUGE PLATE MOUNT BOLT	2
43	XSSL5118	GAUGE PLATE SUPPORT	1
44	XSSL5119	GAUGE PLATE SLIDE SPRING	1
45	XSSL5121	KIT - BLADE RING	1
46	XSSL5122	KIT - GAUGE PLATE MOVEMENT	1

ITEM NO.	PART NUMBER	DESCRIPTION	QTY.
47	XSSL5123	KIT - BLADE HUB W/BELT & SEAL	1
48	XSSL5124	CARRIAGE SLIDE ROD SPRING	1
49	XSSL5125	CARRIAGE SLIDE ROD SCREW	2
50	XSSL5192	KIT - CARRIAGE SLIDE ASSEMBLY	1
51	XSSL5193	KIT - FOOD PRESS ASSEMBLY	1
52	XSSL5199	KIT - FOOD PRESS HANDLE	1
53	XSSL5215	BOTTOM COVER	1
54	XSSL5226	SHARPENING PIN	1
55	XSSL5227	DEBURRING PIN	1
56	XSSL5228	KIT - GAUGE PLATE CAM AND PIN	1
57	XSSL5229	CARRIAGE SLIDE ROD	1
58	XSSL5230	FOOD PRESS SLIDE ROD	1
59	XSSL5245	CARRIAGE RELEASE BUSHING	1
60	XSSL5253	KIT - ROD BLOCKS	1
61	40893	12" SAFE BLADE REMOVAL TOOL	1



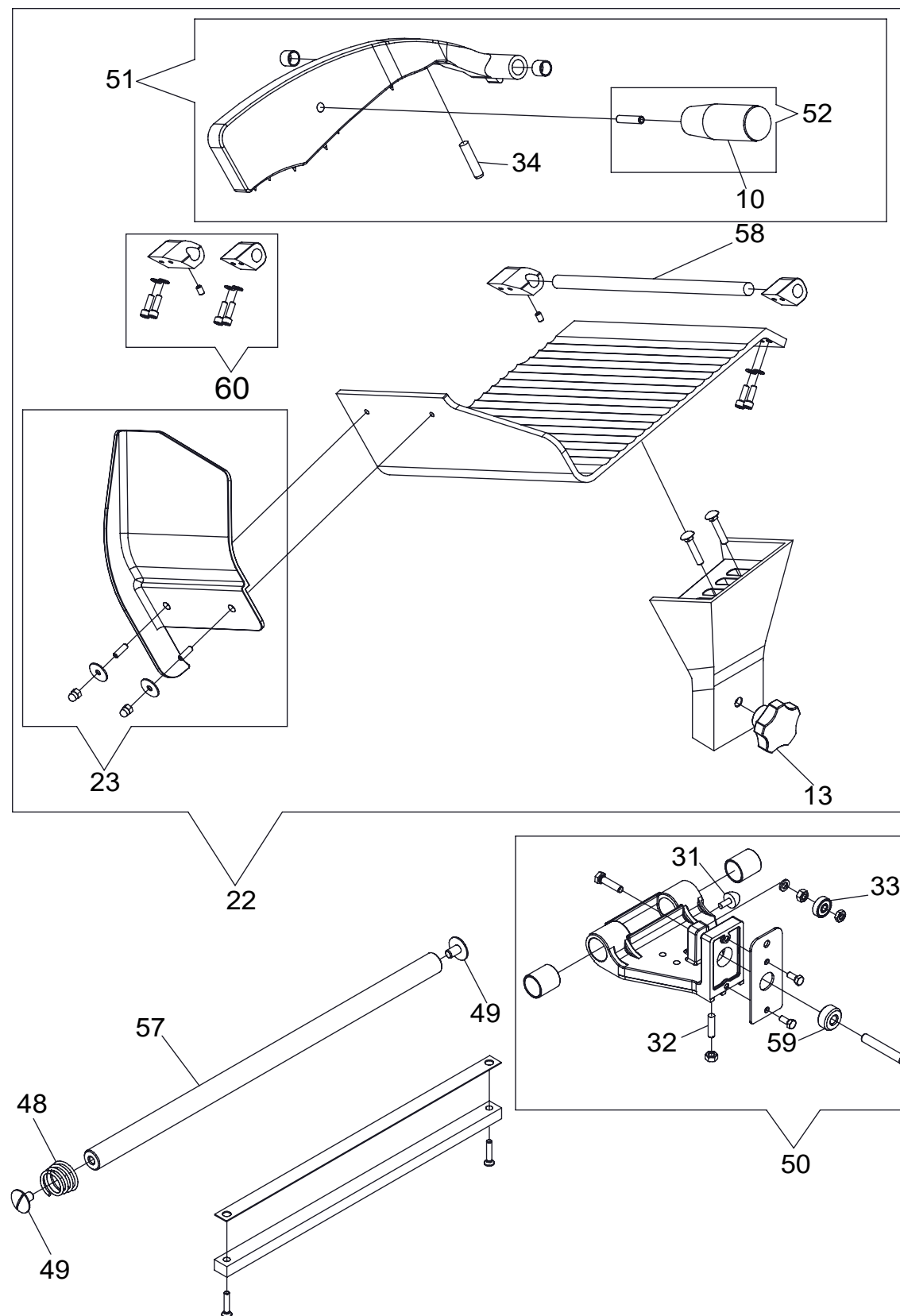
CONFIDENTIAL DESIGN

The Vollrath Company, L.L.C. ("Vollrath") considers this new design proprietary and confidential. Due to the existing relationship of trust and good faith between Vollrath and Recipient, Vollrath is providing this proprietary and confidential design and related information to Recipient with the understanding that Recipient will maintain such design and information in secrecy and will not directly or indirectly use, disseminate, or otherwise disclose this proprietary and confidential information to any outside person or organization without the express written prior consent of The Vollrath Company, L.L.C.



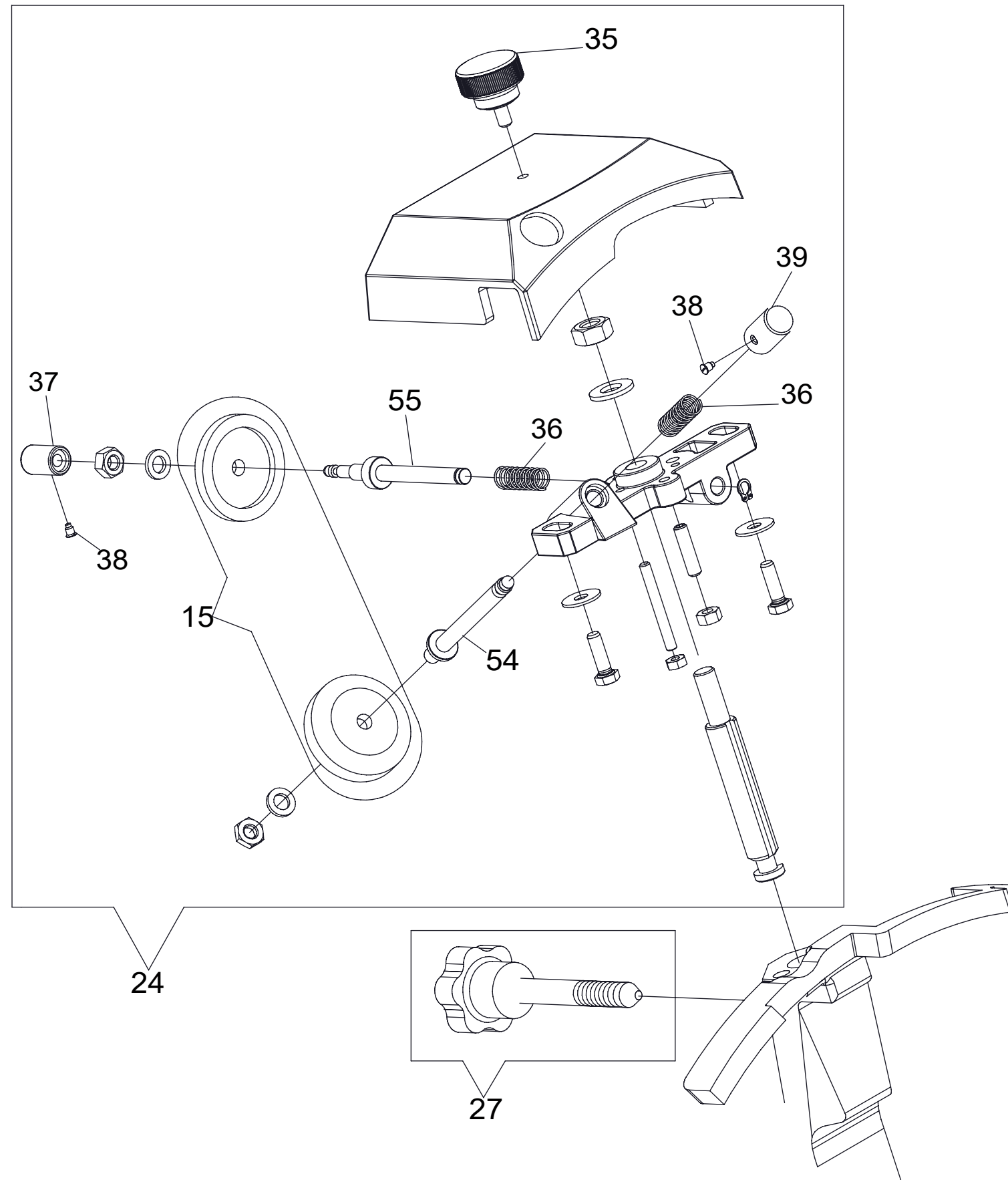
VOLLRATH **CONFIDENTIAL DESIGN**

The Vollrath Company, L.L.C. ("Vollrath") considers this new design proprietary and confidential. Due to the existing relationship of trust and good faith between Vollrath and Recipient, Vollrath is providing this proprietary and confidential design and related information to Recipient with the understanding that Recipient will maintain such design and information in secrecy and will not directly or indirectly use, disseminate, or otherwise disclose this proprietary and confidential information to any outside person or organization without the express written prior consent of The Vollrath Company, L.L.C.



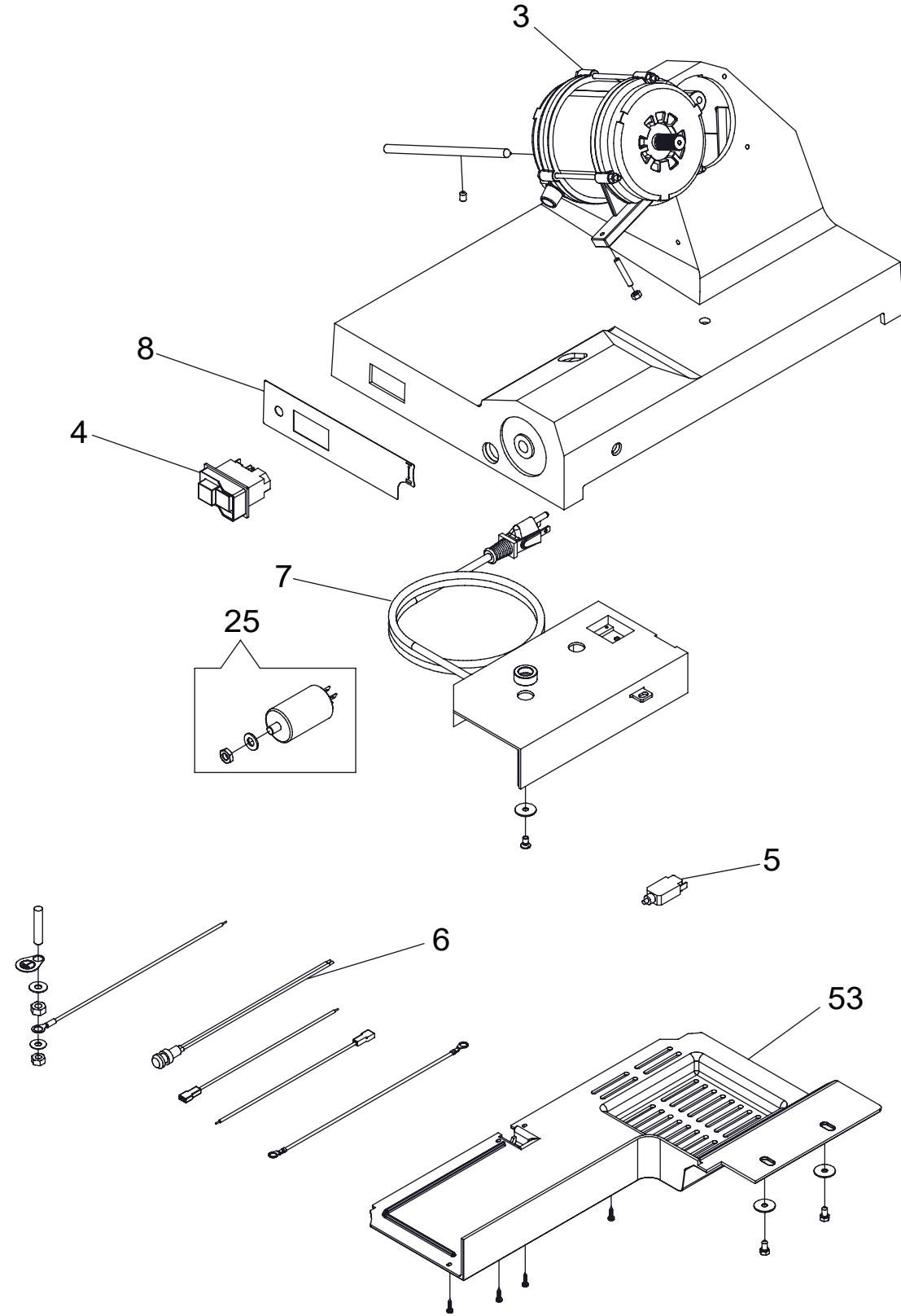
VOLLRATH **CONFIDENTIAL DESIGN**

The Vollrath Company, L.L.C. ("Vollrath") considers this new design proprietary and confidential. Due to the existing relationship of trust and good faith between Vollrath and Recipient, Vollrath is providing this proprietary and confidential design and related information to Recipient with the understanding that Recipient will maintain such design and information in secrecy and will not directly or indirectly use, disseminate, or otherwise disclose this proprietary and confidential information to any outside person or organization without the express written prior consent of The Vollrath Company, L.L.C.



CONFIDENTIAL DESIGN

The Vollrath Company, L.L.C. ("Vollrath") considers this new design proprietary and confidential. Due to the existing relationship of trust and good faith between Vollrath and Recipient, Vollrath is providing this proprietary and confidential design and related information to Recipient with the understanding that Recipient will maintain such design and information in secrecy and will not directly or indirectly use, disseminate, or otherwise disclose this proprietary and confidential information to any outside person or organization without the express written prior consent of The Vollrath Company, L.L.C.



CONFIDENTIAL DESIGN

The Vollrath Company, L.L.C. ("Vollrath") considers this new design proprietary and confidential. Due to the existing relationship of trust and good faith between Vollrath and Recipient, Vollrath is providing this proprietary and confidential design and related information to Recipient with the understanding that Recipient will maintain such design and information in secrecy and will not directly or indirectly use, disseminate, or otherwise disclose this proprietary and confidential information to any outside person or organization without the express written prior consent of The Vollrath Company, L.L.C.