



# 10" 120V Medium Duty Electric Slicer

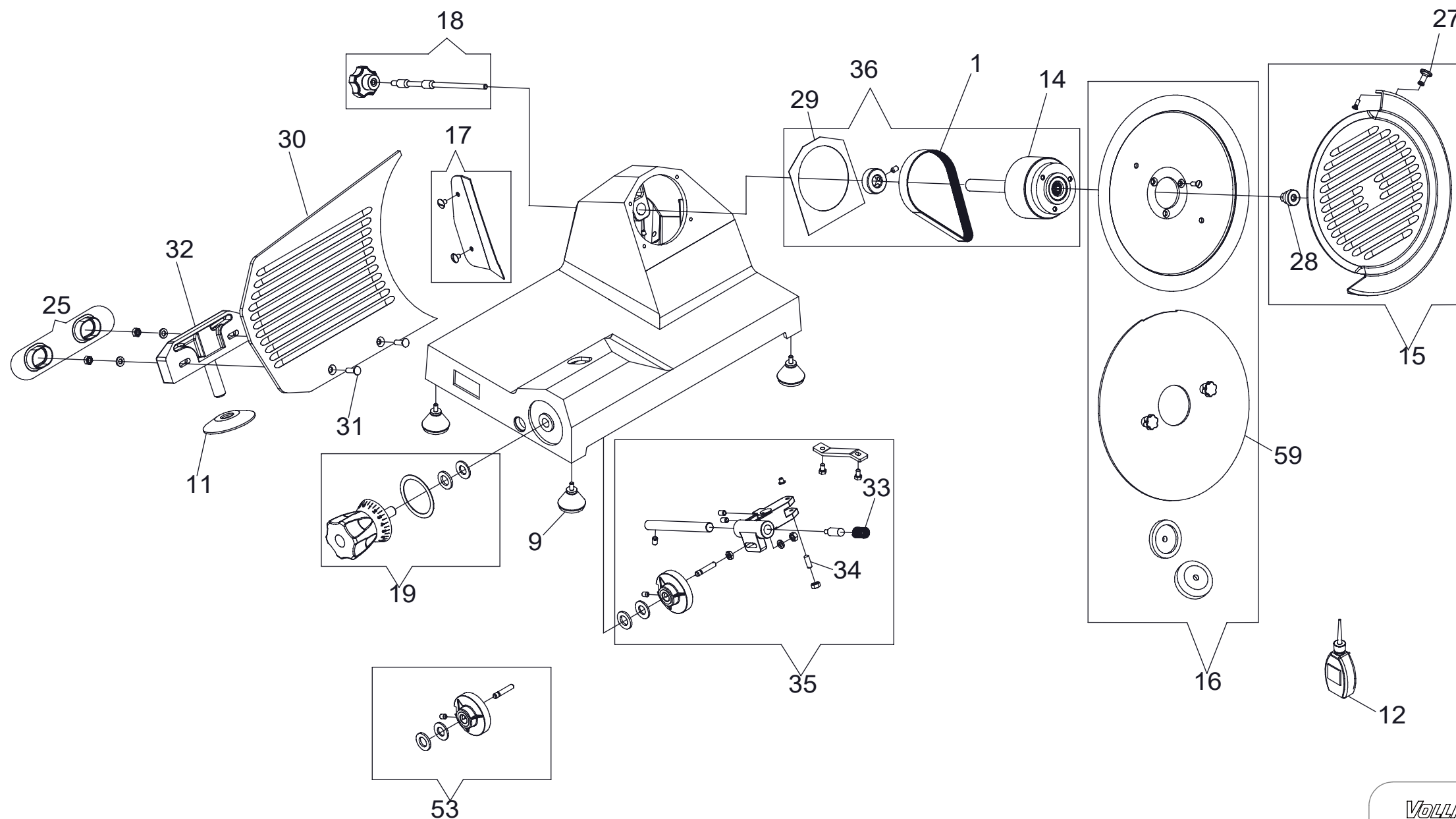
ITEM NO.	PART NUMBER	DESCRIPTION	QTY.
1	XSSL5004	BELT	1
2	XSSL5007	MOTOR, 110/60 HZ	1
3	XSSL5012	ON/OFF SWITCH, 110V	1
4	XSSL5013	MOTOR THERMAL PROTECTION	1
5	XSSL5015	MICROSWITCH, SINGLE PHASE	1
6	XSSL5016	INDICATOR LIGHT BLUE, 110 V UL	1
7	XSSL5017	POWER CORD, 110/60 USA	1
8	XSSL5020	CONTROL LABEL	1
9	XSSL5024	FOOT	4
10	XSSL5025	FOOD PUSHER HANDLE	1
11	XSSL5026	GAUGE PLATE SUPPORT DRIP COVER	1
12	XSSL5027	OIL BOTTLE	1
13	XSSL5028	FOOD TRAY SUPPORT KNOB	1
14	XSSL5030	BLADE HUB ASSEMBLY	1
15	XSSL5032	KIT - BLADE COVER	1
16	XSSL5033	KIT - BLADE	1
17	XSSL5034	KIT - SLICE DEFLECTOR	1
18	XSSL5035	KIT - BLADE COVER TIE ROD	1
19	XSSL5036	KIT - THICKNESS KNOB	1
20	XSSL5038	KIT - CARRIAGE & TRAY ASSEMBLY	1
21	XSSL5039	KIT - THUMB GUARD	1
22	XSSL5040	KIT - SHARPENER ASSEMBLY	1
23	XSSL5041	KIT - SHARPENING STONE WHEELS	1
24	XSSL5042	KIT - MOTOR CAPACITOR	1
25	XSSL5043	KIT - GAUGE PLATE SUPPORT CAPS	1
26	XSSL5044	KIT - SHARPENER ASSY HOLD KNOBS	1
27	XSSL5090	BLADE COVER/SLICE DEFLECTOR KNOB	1
28	XSSL5091	BLADE COVER ADAPTER	1
29	XSSL5092	BLADE HUB SEAL PLATE	1
30	XSSL5093	GAUGE PLATE	1
31	XSSL5094	GAUGE PLATE BOLT	2
32	XSSL5095	GAUGE PLATE SUPPORT	1
33	XSSL5096	GAUGE PLATE SLIDE SPRING	1
34	XSSL5097	BRASS STUD BOLT, M6X17	1
35	XSSL5099	KIT - GAUGE PLATE MOVEMENT	1
36	XSSL5100	KIT - BLADE HUB W/BELT & SEAL	1
37	XSSL5102	CARRIAGE SLIDE BUFFER, M5X12	1
38	XSSL5103	BRASS STUD BOLT M6X25	1
39	XSSL5104	CARRIAGE BEARING	1
40	XSSL5105	CARRIAGE SLIDE ROD SCREW	2
41	XSSL5106	CARRIAGE SLIDE ROD SPRING	1
42	XSSL5107	FOOD PUSHER BUFFER	1
43	XSSL5109	SHARPENER ASSEMBLY KNOB	1
44	XSSL5110	SHARPENER PIN SPRING	2
45	XSSL5111	DEBURRING BUTTON	1
46	XSSL5112	BUTTON LOCKING SCREW	2

ITEM NO.	PART NUMBER	DESCRIPTION	QTY.
47	XSSL5113	SHARPENER MOUNTING FOOT	1
48	XSSL5114	SHARPENING BUTTON	1
49	XSSL5191	KIT - CARRIAGE SLIDE ASSEMBLY	1
50	XSSL5199	KIT - FOOD PRESS HANDLE	1
51	XSSL5200	KIT - FOOD PRESS ASSEMBLY	1
52	XSSL5214	BOTTOM COVER	1
53	XSSL5223	KIT - GAUGE PLATE CAM AND PIN	1
54	XSSL5224	CARRIAGE SLIDE ROD	1
55	XSSL5225	FOOD PRESS SLIDE ROD	1
56	XSSL5226	SHARPENING PIN	1
57	XSSL5227	DEBURRING PIN	1
58	XSSL5252	KIT - ROD BLOCKS	1
59	40898	10" SAFE BLADE REMOVAL TOOL	1



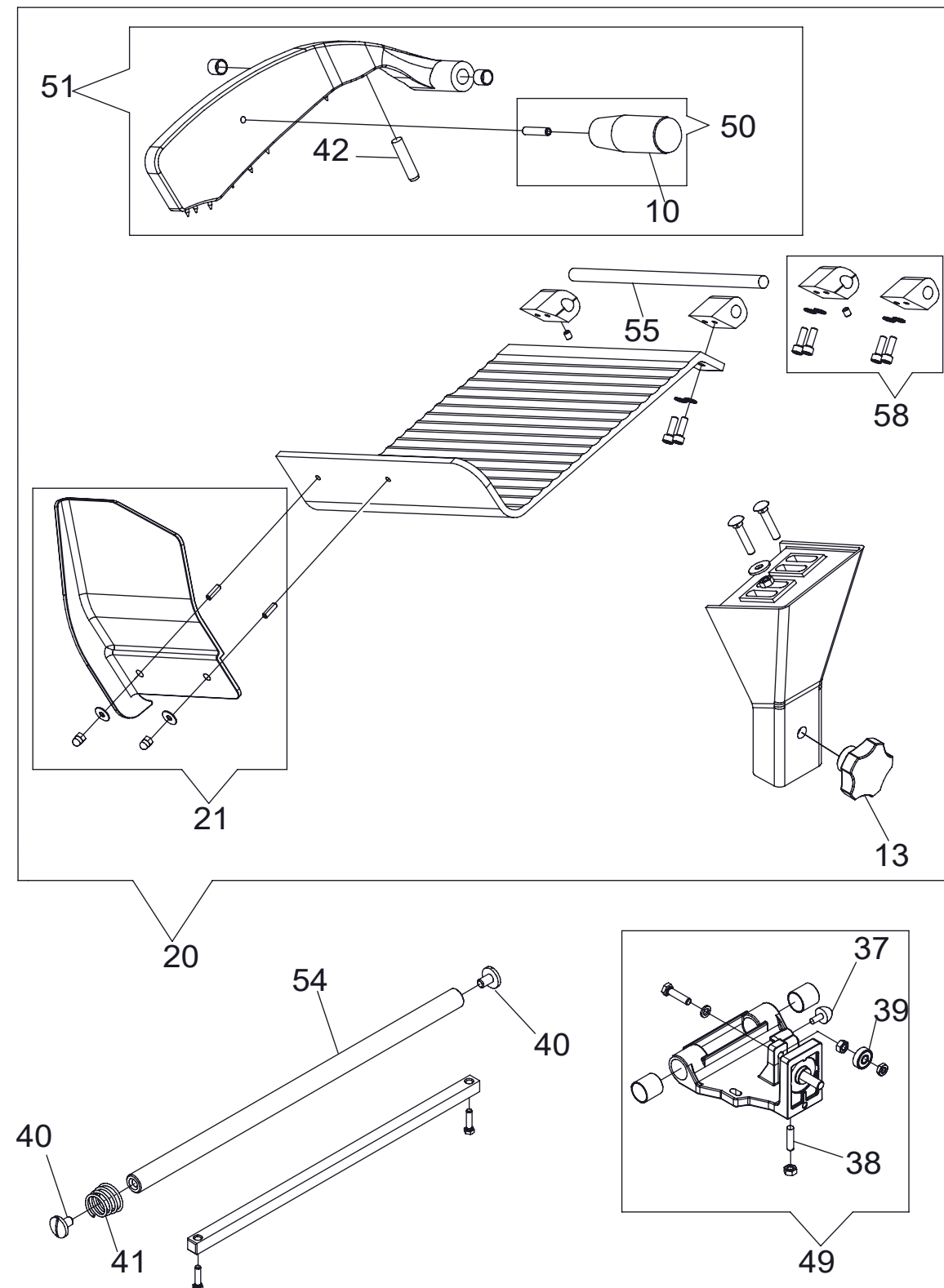
## CONFIDENTIAL DESIGN

The Vollrath Company, L.L.C. ("Vollrath") considers this new design proprietary and confidential. Due to the existing relationship of trust and good faith between Vollrath and Recipient, Vollrath is providing this proprietary and confidential design and related information to Recipient with the understanding that Recipient will maintain such design and information in secrecy and will not directly or indirectly use, disseminate, or otherwise disclose this proprietary and confidential information to any outside person or organization without the express written prior consent of The Vollrath Company, L.L.C.



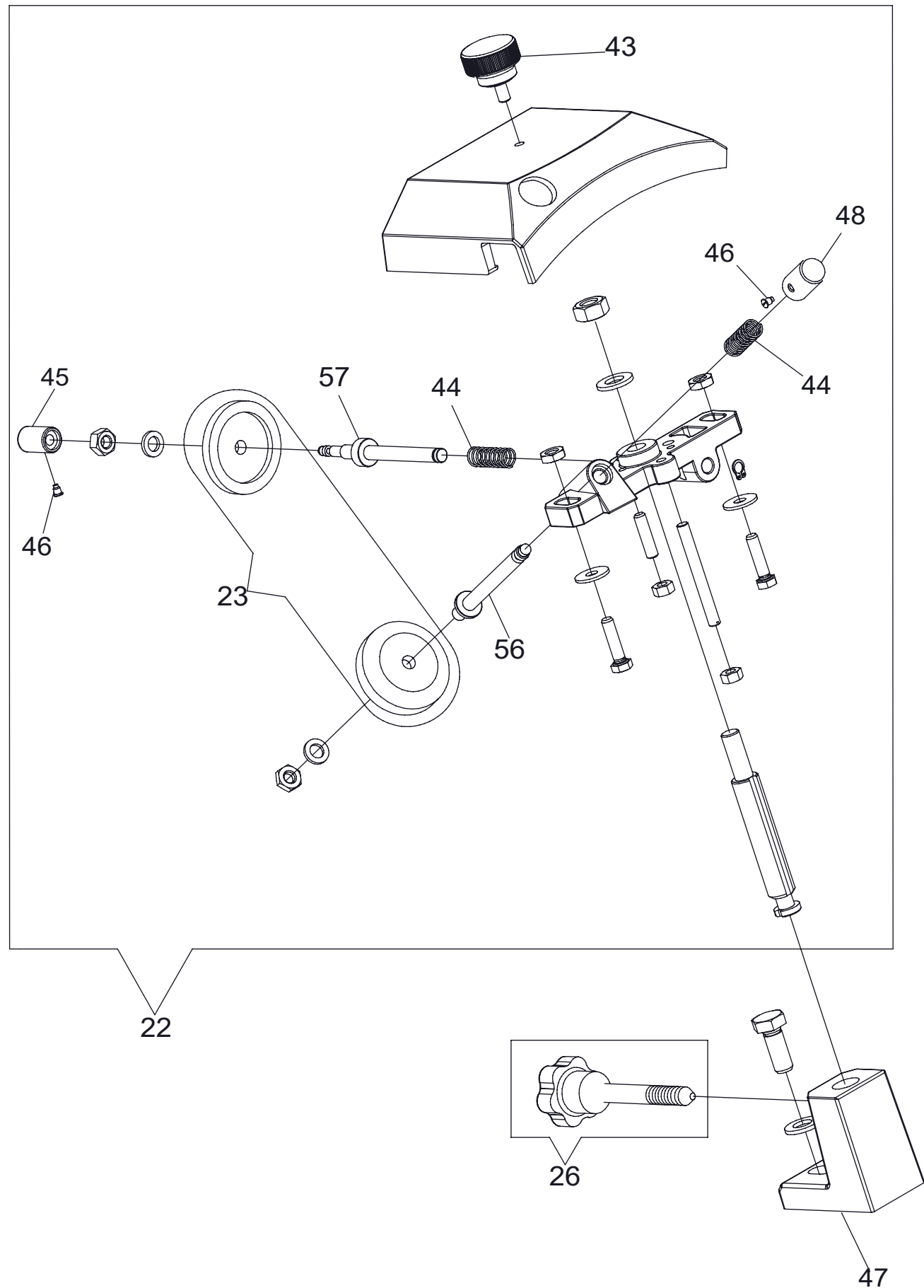
**CONFIDENTIAL DESIGN**

The Vollrath Company, L.L.C. ("Vollrath") considers this new design proprietary and confidential. Due to the existing relationship of trust and good faith between Vollrath and Recipient, Vollrath is providing this proprietary and confidential design and related information to Recipient with the understanding that Recipient will maintain such design and information in secrecy and will not directly or indirectly use, disseminate, or otherwise disclose this proprietary and confidential information to any outside person or organization without the express written prior consent of The Vollrath Company, L.L.C.



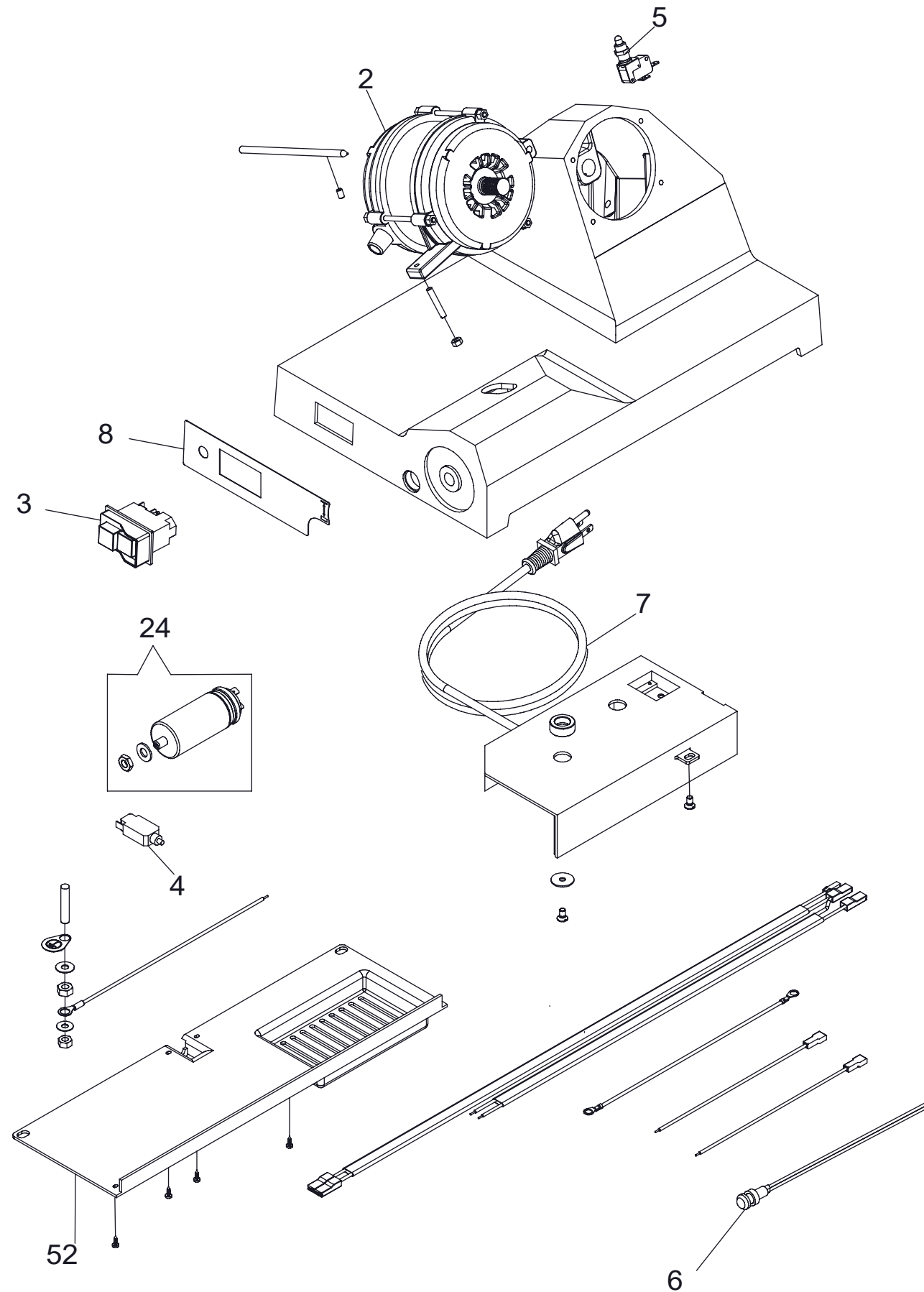
**CONFIDENTIAL DESIGN**

The Vollrath Company, L.L.C. ("Vollrath") considers this new design proprietary and confidential. Due to the existing relationship of trust and good faith between Vollrath and Recipient, Vollrath is providing this proprietary and confidential design and related information to Recipient with the understanding that Recipient will maintain such design and information in secrecy and will not directly or indirectly use, disseminate, or otherwise disclose this proprietary and confidential information to any outside person or organization without the express written prior consent of The Vollrath Company, L.L.C.



**CONFIDENTIAL DESIGN**

The Vollrath Company, L.L.C. ("Vollrath") considers this new design proprietary and confidential. Due to the existing relationship of trust and good faith between Vollrath and Recipient, Vollrath is providing this proprietary and confidential design and related information to Recipient with the understanding that Recipient will maintain such design and information in secrecy and will not directly or indirectly use, disseminate, or otherwise disclose this proprietary and confidential information to any outside person or organization without the express written prior consent of The Vollrath Company, L.L.C.



### CONFIDENTIAL DESIGN

The Vollrath Company, L.L.C. ("Vollrath") considers this new design proprietary and confidential. Due to the existing relationship of trust and good faith between Vollrath and Recipient, Vollrath is providing this proprietary and confidential design and related information to Recipient with the understanding that Recipient will maintain such design and information in secrecy and will not directly or indirectly use, disseminate, or otherwise disclose this proprietary and confidential information to any outside person or organization without the express written prior consent of The Vollrath Company, L.L.C.