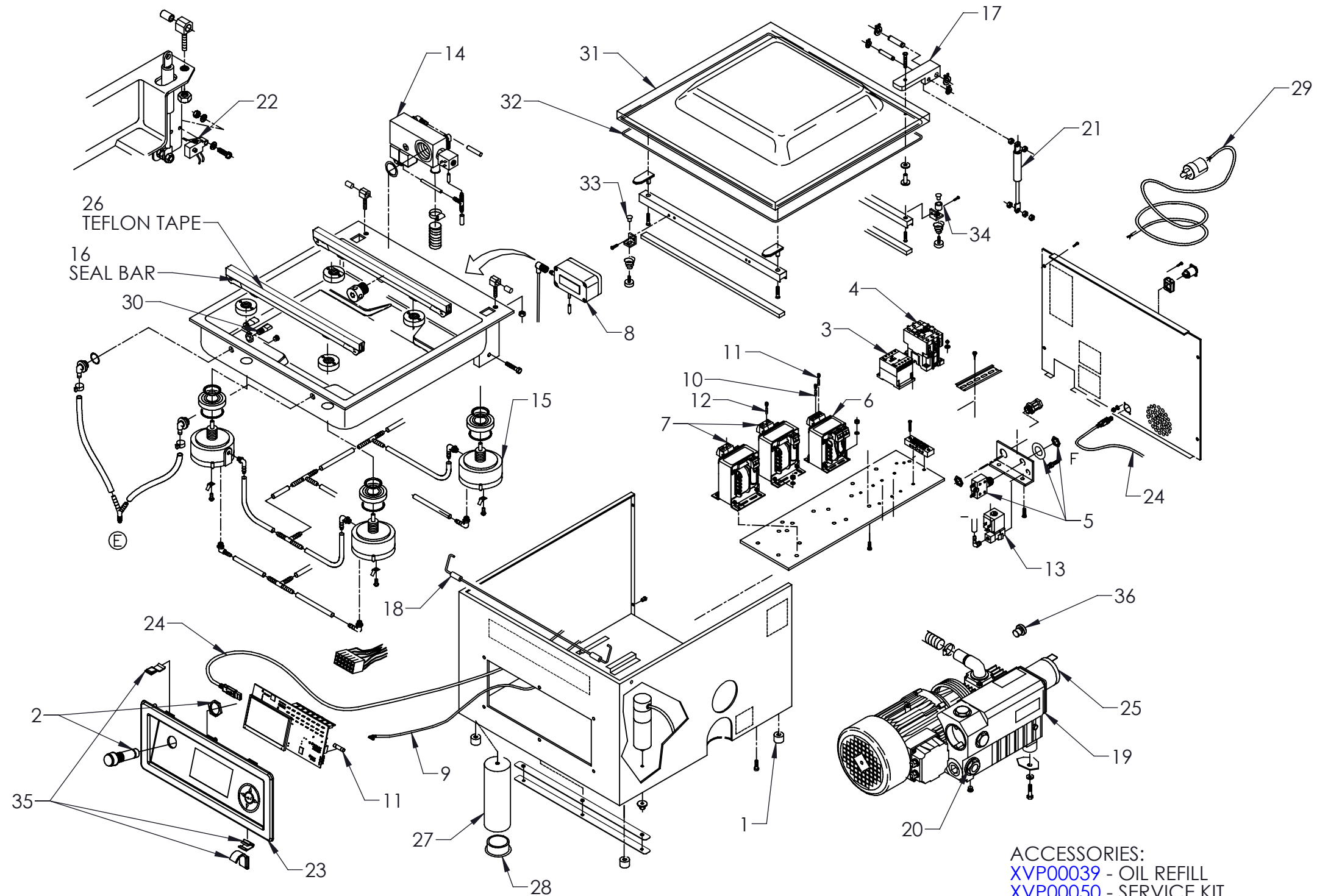


| ITEM NO. | PART NUMBER | DESCRIPTION |
|----------|-------------|---------------------------------|
| 1 | XVP00001 | FEET VACUUM MACHINE |
| 2 | XVP00005 | POWER SWITCH DPDT 120V 1.5A |
| 3 | XVP00006 | SEAL CONTACTOR RATED 120V |
| 4 | XVP00007 | PUMP CONTACTOR RATED 120V |
| 5 | XVP00009 | CIRCUIT BREAKER 125V 20A |
| 6 | XVP00010 | CONTROL TRANSFORMER 64.5VA |
| 7 | XVP00013 | SEAL TRANSFORMER 15V 700VA |
| 8 | XVP00015 | SENSOR LIQUID CONTROL |
| 9 | XVP00017 | CABLE LIQUID SENSOR CONTROL |
| 10 | XVP00020 | FUSE CONTROL TRANSFORMER |
| 11 | XVP00021 | FUSE CONTROL TRANSFORMER |
| 12 | XVP00022 | FUSE SEAL TRANSFORMER |
| 13 | XVP00024 | SOFT-AIR VALVE |
| 14 | XVP00026 | VALVE BLOCK VP 16 - VPP16 |
| 15 | XVP00028 | SEAL CYLINDER VP 16 - VPP16 |
| 16 | XVP00029 | SEAL BAR VP 16 - VPP16 |
| 17 | XVP00032 | HINGE VP16 - VPP16 |
| 18 | XVP00033 | LID CLOSING BRACKET |
| 19 | XVP00036 | VACUUM PUMP 21 M3 |
| 20 | XVP00037 | OIL SIGHT GLASS 21 M3 PUMP |
| 21 | XVP00041 | LID GAS SPRING |
| 22 | XVP00044 | SWITCH COVER INTERLOCK |
| 23 | XVP00045 | CONTROL BOARD ASSEMBLY VPP 16 |
| 24 | XVP00046 | CABLE LABEL PRINTER USB |
| 25 | XVP00048 | EXHAUST FILTER 21M3 PUMP |
| 26 | XVP00052 | TEFLON TAPE 3 METER LENGTH |
| 27 | XVP00057 | LEG EXTENSION |
| 28 | XVP00058 | PLASTIC FOOT |
| 29 | XVP00061 | POWER CORD SJTOW 12 AWG |
| 30 | XVP00062 | BAG HOLDER SUPPORT |
| 31 | XVP00066 | PLASTIC LID |
| 32 | XVP00068 | LID GASKET 71 INCHES |
| 33 | XVP00071 | FRONT BAG GRIPPER KIT |
| 34 | XVP00072 | REAR BAG GRIPPER KIT |
| 35 | XVP00073 | CONTROL PANEL MOUNTING CLIP KIT |
| 36 | XVP00076 | OIL PLUG, VACUUM PUMP |



ACCESSORIES:
[XVP00039](#) - OIL REFILL
[XVP00050](#) - SERVICE KIT
 INCLUDES - OIL REFILL, LID,
 GASKET, HOLD DOWN SILICONE
 STRIP, SEALING WIRE, TEFLON TAPE

[XVP00051](#) - SEAL WIRE 3.5MM, 3M LENGTH
[XVP00055](#) - INSERT PLATE
[XVP00056](#) - INCLINED INSERT PLATE