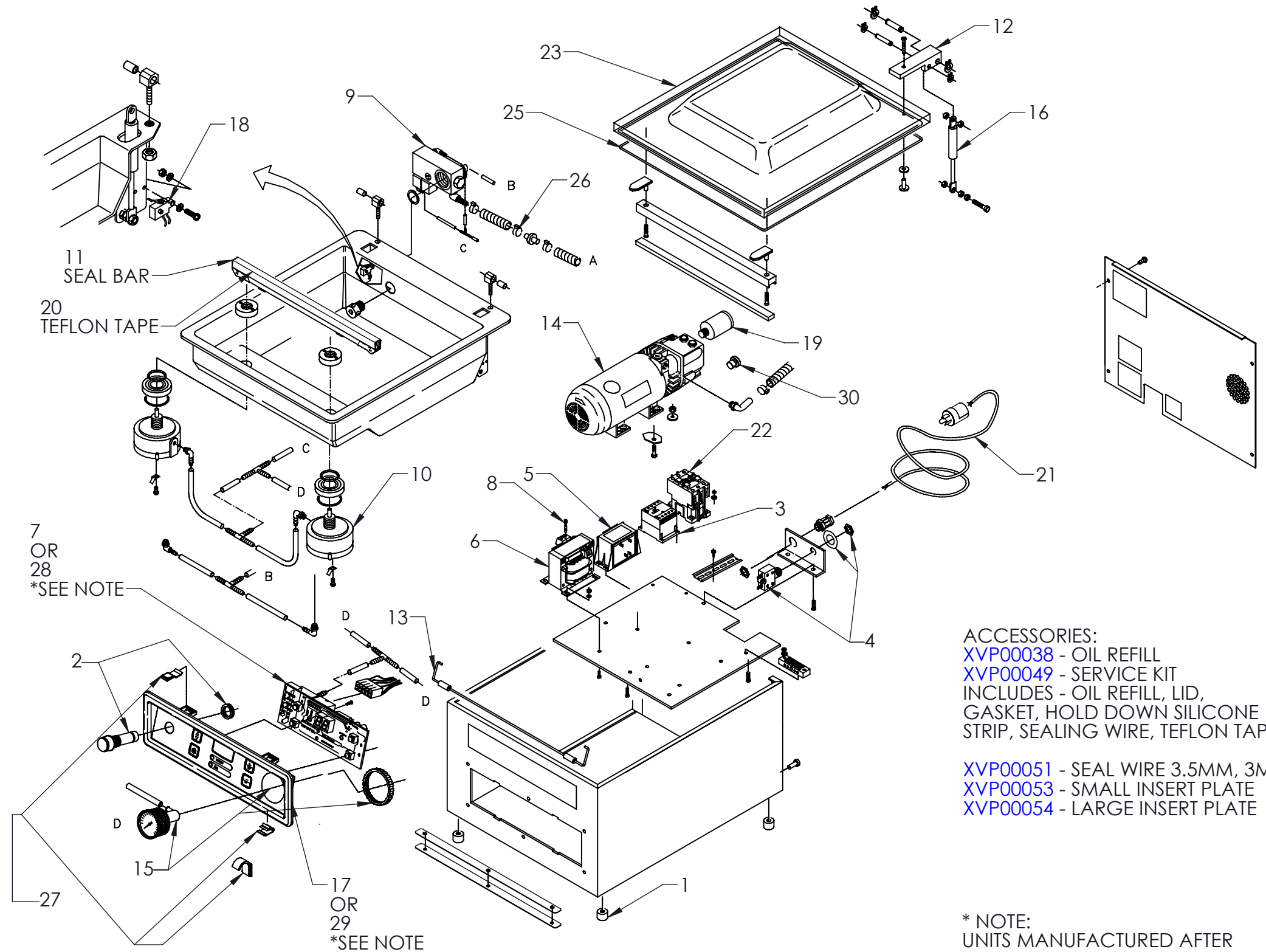


| ITEM NO. | PART NUMBER | DESCRIPTION                                       |
|----------|-------------|---|
| 1        | XVP00001    | FEET VACUUM MACHINE                               |
| 2        | XVP00005    | POWER SWITCH DPDT<br>120V 1.5A                    |
| 3        | XVP00006    | SEAL CONTACTOR RATED<br>120V                      |
| 4        | XVP00008    | CIRCUIT BREAKER                                   |
| 5        | XVP00011    | CONTROL TRANSFORMER                               |
| 6        | XVP00012    | SEAL TRANSFORMER 10V<br>500VA                     |
| 7        | XVP00014    | CONTROL BOARD VP 12,<br>TIME CONTROL              |
| 8        | XVP00023    | FUSE SEAL TRANSFORMER                             |
| 9        | XVP00025    | VALVE BLOCK VP 12                                 |
| 10       | XVP00027    | SEAL CYLINDER VP 12                               |
| 11       | XVP00030    | SEAL BAR VP 12                                    |
| 12       | XVP00031    | HINGE VP 12                                       |
| 13       | XVP00034    | LID CLOSING BRACKET VP<br>12                      |
| 14       | XVP00035    | VACUUM PUMP M3<br>110/120V                        |
| 15       | XVP00040    | VACUUM METER                                      |
| 16       | XVP00041    | LID GAS SPRING                                    |
| 17       | XVP00042    | FRONT PANEL VP12<br>COMPLETE, TIME<br>CONTROL     |
| 18       | XVP00044    | SWITCH COVER<br>INTERLOCK                         |
| 19       | XVP00047    | EXHAUST FILTER 8M3 PUMP                           |
| 20       | XVP00052    | TEFLON TAPE 3 METER<br>LENGTH                     |
| 21       | XVP00060    | POWER CORD SJTO 14<br>AWG                         |
| 22       | XVP00063    | PUMP CONTACTOR                                    |
| 23       | XVP00065    | CLEAR LID   |
| 24       | XVP00067    | SIGHT GLASS                                       |
| 25       | XVP00068    | LID GASKET 71 INCHES                              |
| 26       | XVP00070    | CHECK VALVE W-CLAMPS                              |
| 27       | XVP00073    | CONTROL PANEL<br>MOUNTING CLIP KIT                |
| 28       | XVP00074    | CONTROL BOARD VP 12,<br>PRESSURE CONTROL          |
| 29       | XVP00075    | FRONT PANEL VP12<br>COMPLETE, PRESSURE<br>CONTROL |
| 30       | XVP00076    | OIL PLUG, VACUUM PUMP                             |



ACCESSORIES:  
XVP00038 - OIL REFILL  
XVP00049 - SERVICE KIT  
INCLUDES - OIL REFILL, LID,  
GASKET, HOLD DOWN SILICONE  
STRIP, SEALING WIRE, TEFLON TAPE

XVP00051 - SEAL WIRE 3.5MM, 3M LENGTH  
XVP00053 - SMALL INSERT PLATE  
XVP00054 - LARGE INSERT PLATE

\* NOTE:  
UNITS MANUFACTURED AFTER  
AND INCLUDING  
SERIAL NUMBER J021-00414847  
WILL USE XVP00074 & XVP00075  
INSTEAD OF XVP00014 & XVP00042