

# CATALOG OF REPLACEMENT PARTS



## TEPPAN-YAKI GRIDDLES

### CURRENT MODELS

TYG48C	ML-769368
TYG60C	ML-769374

### PRIOR MODELS

TYG24C	ML-766552
TYG24C	ML-769373
TYG36C	ML-766503
TYG36C	ML-769367
TYG48C	ML-766504
TYG60C	ML-766505
TYG72C	ML-769382



Model TYG36C

For additional information on Wolf Range or to locate an authorized parts and service provider in your area, visit our website at [www.wolfrange.com](http://www.wolfrange.com)

REPLACEMENT PARTS TEPPAN-YAKI GRIDDLES

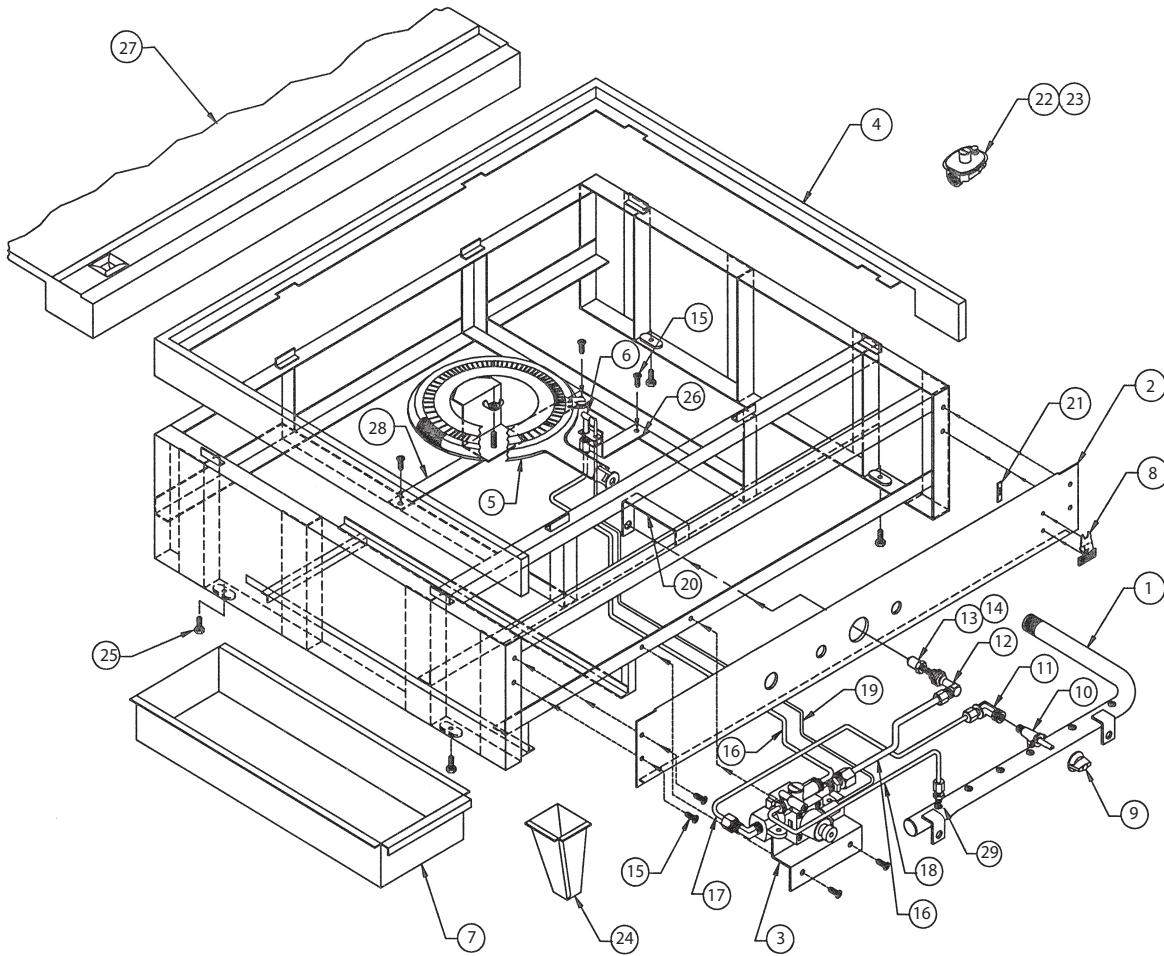


Figure 1

## REPLACEMENT PARTS LIST

ILLUS. Figure 1	PART NO.	NAME OF PART	AMT.
1	00-769703-0000A	Manifold Pipe (Sept. 24, 1997 to Present) .....	1
	00-758285-0000A	Manifold Pipe (Prior to Sept. 24, 1997) .....	1
2	00-702091-00001	Manifold Cover (24") (Sept. 24, 1997 to Present) .....	1
	00-702091	Manifold Cover (24") (Prior to Sept. 24, 1997) .....	1
	00-702092-00001	Manifold Cover (36") (Sept. 24, 1997 to Present) .....	1
	00-702092	Manifold Cover (36") (Prior to Sept. 24, 1997) .....	1
	00-702093-00001	Manifold Cover (48") (Sept. 24, 1997 to Present) .....	1
	00-702093	Manifold Cover (48") (Prior to Sept. 24, 1997) .....	1
	00-769377	Manifold Cover (60") (Sept. 24, 1997 to Present) .....	1
	00-751273	Manifold Cover (60") (Prior to Sept. 24, 1997) .....	1
	00-769372	Manifold Cover (72") (Sept. 24, 1997 to Present) .....	1
3	00-714267	Safety Valve (TS11) .....	1
	00-720719	Safety Valve (BASO) .....	1
*	00-715005	Thermocouple .....	1
4	00-767729-0000A	Flue Deflector Flame .....	1
5	00-769690-000A1	Aluminized Burner Assy. (Sept. 24, 1997 to Present) .....	1
6	00-714269	Pilot Burner (Sept. 24, 1997 to Present) .....	1
	00-788541-0000A	Pilot Stem & Tip (Prior to Sept. 24, 1997) .....	1
7	00-702168-0000A	Grease Can Weld Assy. ....	1
8	00-719401	Small Wolf Head .....	1
9	00-719255-00012	Valve Knob (March 7, 2003 to Present) .....	1
	00-719255-00002	Valve Knob (Prior to March 7, 2003) .....	1
10	00-719221	Manual Gas Valve .....	1
11	00-719385	Orifice Elbow (Sept. 24, 1997 to Present) .....	1
	00-719211	Orifice Elbow (Prior to Sept. 24, 1997) .....	1
12	00-719376	Orifice Elbow Connector (Sept. 24, 1997 to Present) .....	1
	00-715055	90 Degree Brass Elbow (Prior to Sept. 24, 1997) .....	1
13	00-719951-00052	Burner Orifice Hood (LP Gas) .....	1
14	00-719951-00041	Burner Orifice Hood (Nat. Gas) .....	1
15	00-730228	Truss Hd. Phillips S/T .....	AR
16	00-722220	Flex Tubing 3/8 X 6" .....	1
17	00-722221	Flex Tubing 3/8 X 12" .....	1
	00-719601	Aluminum Tubing 7/16 X 7 (Prior to Sept. 24, 1997) .....	1
18	00-722228	Flex Tubing 1/4 X 12" .....	1
	00-722229	Flex Tubing 1/4 X 18" .....	1
19	00-702098	Orifice Bracket .....	1
20	00-730509	Tinnerman Clip .....	2
21	00-408279-00021	Regulator (LP Gas) .....	1
22	00-408279-00025	Regulator (Nat. Gas) .....	1
23	00-763399-0000A	Grease Chute .....	1
24	00-730117	Leveling Bolt 3/8-16 X 1 1/2" .....	4
25	00-769255	Pilot Bracket .....	1
27	00-702165-000A4	Griddle Plate Weld Assy. (24") .....	1
	00-702166-000A4	Griddle Plate Weld Assy. (36") .....	1
	00-702167-000A4	Griddle Plate Weld Assy. (48") .....	1
	00-751274-000A4	Griddle Plate Weld Assy. (60") .....	1
	00-769695-000A4	Griddle Plate Weld Assy. (72") .....	1
28	00-769254	Burner Bracket Support .....	1
29	00-719179	Pilot Valve (Aug. 1, 1998 to Present) .....	1
	00-719193	Pilot Valve (Prior to Aug. 1, 1998) .....	1
*	Not Shown		

**RECOMMENDED SPARE PARTS**

<b>PART NO.</b>	<b>NAME OF PART</b>	<b>AMT.</b>
00-719221	Burner Valve .....	2
00-719255-00012	Valve Knob (Red) .....	2
00-714267	Safety Valve (TS11) .....	2
00-715005	Thermocouple .....	2
00-714269	Pilot Burner .....	2
00-711339-0000N	Pilot Orifice (Nat. Gas) .....	2
00-711339	Pilot Orifice (LP Gas) .....	2
00-769690-000A1	Oval Replacement Burner Assy. ....	1