

# *CATALOG OF REPLACEMENT PARTS*



## *W SERIES MEDIUM DUTY RANGES*

### MODEL

W24  
W36  
W36F  
W60  
W60F  
W260

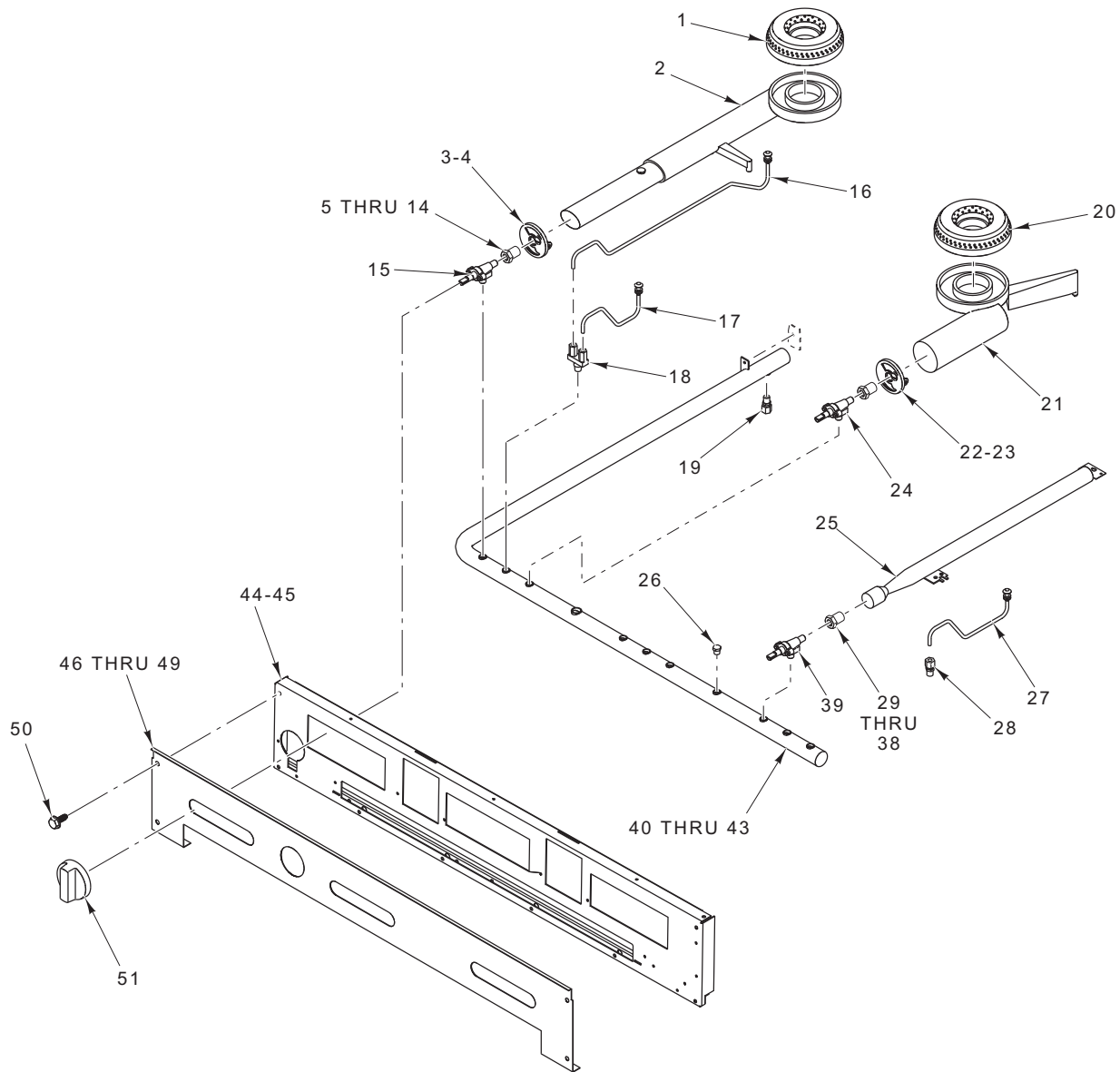


**For additional information on Wolf Range or to locate an authorized parts and service provider in your area, visit our website at [www.wolfequipment.com](http://www.wolfequipment.com)**



## TABLE OF CONTENTS

5	GAS RANGE COMPONENTS
7	GAS OVEN COMPONENTS
9	GRIDDLE AND BROILER COMPONENTS
11	RANGE BODY
13	OVEN BODY
14	GRIDDLE BODY (PREVIOUS CONSTRUCTION)
15	GRIDDLE BODY (CURRENT CONSTRUCTION)
17	GRIDDLE AND BROILER BODY
18	BROILER BODY
19	DOOR
20	OVEN RACKS

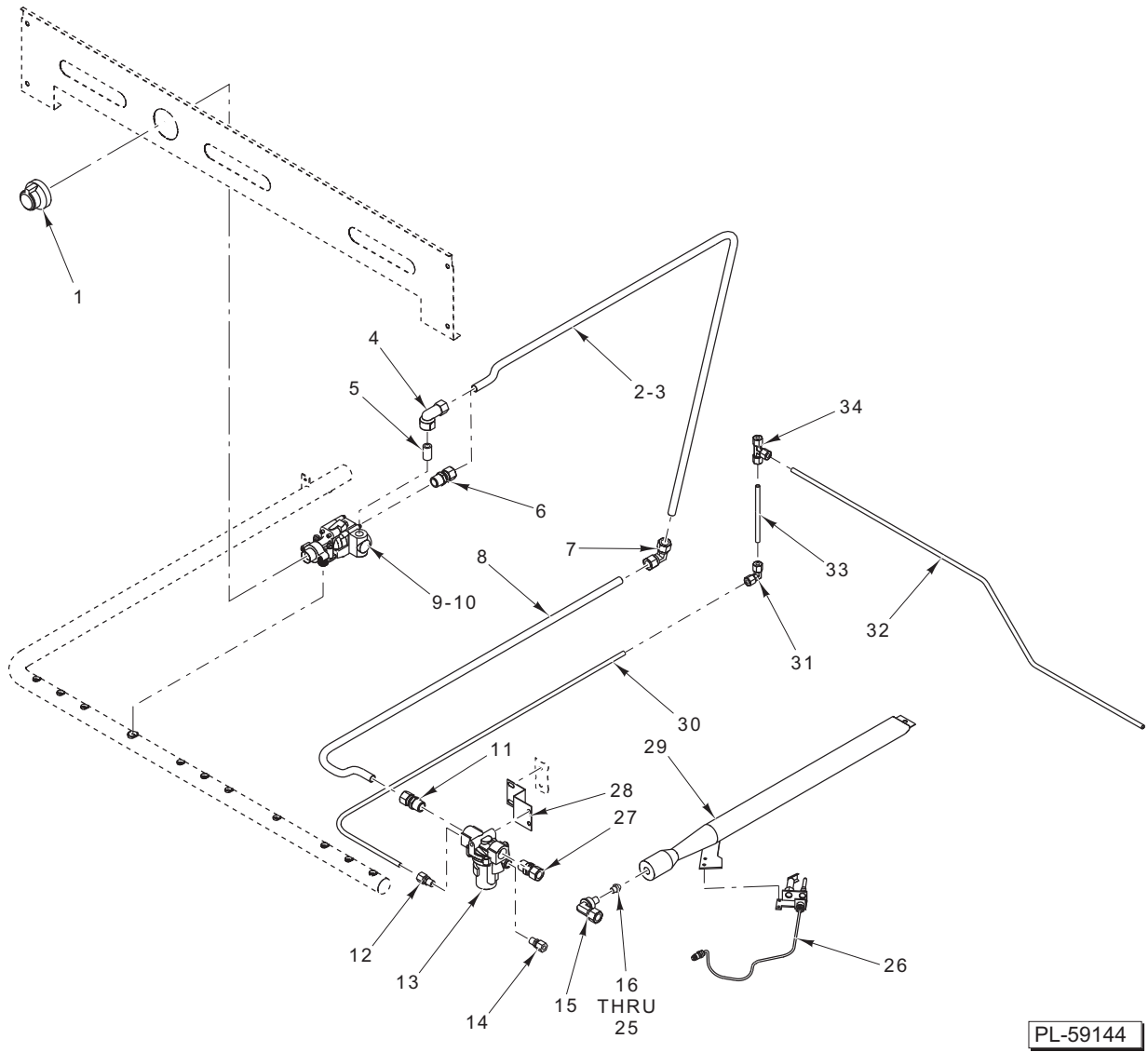


PL-59143

**GAS RANGE COMPONENTS**

**GAS RANGE COMPONENTS**

ILLUS. PL-59143	PART NO.	NAME OF PART	AMT.
1	00-417608-00001	Head – Burner .....	1
2	00-417260-000G1	Burner Assy. – Rear (Incls. Items 3 & 4) .....	1
3	00-404060-00001	Mixer – Air .....	1
4	SD-038-31	Self-Tapping Screw 10-24 x 1/4 Phil. Pan Hd., Type TT .....	1
5	00-418051-00039	Hood – Orifice Sea Level (NAT).....	1
6	00-418051-00041	Hood – Orifice 2000-3999 (NAT) .....	1
7	00-418051-00042	Hood – Orifice 4000-5999 (NAT) .....	1
8	00-418051-00042	Hood – Orifice 6000-7999 (NAT) .....	1
9	00-418051-00043	Hood – Orifice 8000-10000 (NAT) .....	1
10	00-418051-00053	Hood – Orifice Sea Level (PRO).....	1
11	00-418051-00053	Hood – Orifice 2000-3999 (PRO) .....	1
12	00-418051-00053	Hood – Orifice 4000-5999 (PRO) .....	1
13	00-418051-00054	Hood – Orifice 6000-7999 (PRO) .....	1
14	00-418051-00054	Hood – Orifice 8000-10000 (PRO) .....	1
15	00-404076	Valve – Burner Less Hood .....	1
16	00-499675-000G1	Tube Assy. – Rear Pilot.....	1
17	00-499674-000G1	Tube Assy. – Front Pilot .....	1
18	00-420786-00001	Valve – Dual Pilot.....	1
19	FP-078-49	Fitting – Tube 1/4.....	1
20	00-417608-00001	Head – Burner .....	1
21	00-417258-000G1	Burner Assy. – Front (Incls. Items 22 & 23) .....	1
22	00-404060-00001	Mixer – Air .....	1
23	SD-038-31	Self-Tapping Screw 10-24 x 1/4 Phil. Pan Hd., Type TT .....	1
24	00-404076	Valve – Burner Less Hood .....	1
25	00-412793-000G1	Burner Assy. – Front (Griddle) .....	1
26	FP-085-53	Plug – Pipe 1/8.....	AR
27	00-956850-000G1	Tube Assy. – Pilot (Griddle) .....	1
28	00-404738-00002	Valve – Pilot (Griddle) .....	1
29	00-418051-00048	Hood – Orifice Sea Level Griddle (NAT).....	1
30	00-418051-00049	Hood – Orifice 2000-3999 Griddle (NAT).....	1
31	00-418051-00050	Hood – Orifice 4000-5999 Griddle (NAT).....	1
32	00-418051-00050	Hood – Orifice 6000-7999 Griddle (NAT).....	1
33	00-418051-00051	Hood – Orifice 8000-10000 Griddle (NAT).....	1
34	00-418051-00056	Hood – Orifice Sea Level Griddle (PRO).....	1
35	00-418051-00056	Hood – Orifice 2000-3999 Griddle (PRO).....	1
36	00-418051-00057	Hood – Orifice 4000-5999 Griddle (PRO).....	1
37	00-418051-00058	Hood – Orifice 6000-7999 Griddle (PRO).....	1
38	00-418051-00059	Hood – Orifice 8000-10000 Griddle (PRO).....	1
39	00-497240-00001	Valve – Burner (Griddle) .....	1
40	00-957866-00001	Pipe – Manifold (W24) .....	1
41	00-499562-00001	Pipe – Manifold (W36 & W36F) .....	1
42	00-499676-00001	Pipe – Manifold (W60 & W60F) .....	1
43	00-499988-00001	Pipe – Manifold (W260) .....	1
44	00-499584-00001	Frame – Top (W36, W36F, W60, W60F, & W260) .....	1
45	00-499596-00001	Frame – Top (W24, W60, W60F, & W260).....	1
46	00-957871-00001	Cover – Manifold (W24).....	1
47	00-499597-00001	Cover – Manifold (W36 & W36F).....	1
48	00-499984-00001	Cover – Manifold (W60 & W60F).....	1
49	00-499597-00003	Cover – Manifold (W260).....	1
50	SD-037-49	Self-Tapping Screw 8-18 x 1/2 Hex Washer Hd., Type AB.....	4
51	00-956841-00002	Knob – Burner (Red).....	AR
	00-408279-00020	Regulator – Pressure (NAT) (W24, W36, & W36F) .....	1
	00-408279-00005	Regulator – Pressure (NAT) (W60, W60F, & W260).....	1
	00-408279-00021	Regulator – Pressure (PRO) (W24, W36 & W36F) .....	1
	00-408279-00006	Regulator – Pressure (PRO) (W60, W60F & W260) .....	1
	00-413302-00001	Clip – Pilot Mounting.....	1

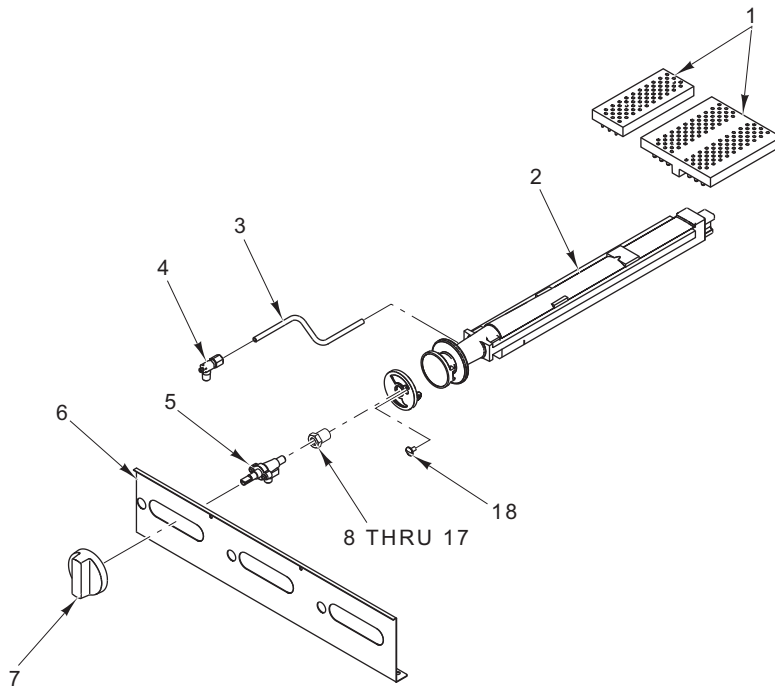


PL-59144

**GAS OVEN COMPONENTS**

**GAS OVEN COMPONENTS**

ILLUS. PL-59144	PART NO.	NAME OF PART	AMT.
1	00-499678-00001	Knob – Burner (Black) .....	1
2	00-956894-00001	Tube – Burner (Thermostat To Fitting) (W24, W60, W60F, & W260).....	1
3	00-499607-00001	Tube – Burner (Thermostat To Fitting) (W36 & W36F).....	1
4	FP-086-43	Fitting – Tube 7/16 (Used On Machines Built Before September 1, 2009) .....	1
5	FP-035-38	Pipe 1/4 x 7/8 (Used On Machines Built Before September 1, 2009).....	1
6	FP-085-42	Fitting – Tube 7/16 (Used On Machines Built On Or After September 1, 2009).....	1
7	FP-085-97	Fitting – Tube 7/16.....	1
8	00-499608-00001	Tube – Burner (Fitting To Safety).....	1
9	00-417424-000G1	Thermostat Assy. (Used On Machines Built Before September 1, 2009) .....	1
10	00-499983-000G1	Thermostat Assy. (Used On Machines Built On Or After September 1, 2009) .....	1
11	FP-085-42	Fitting – Tube 7/16.....	1
12	FP-078-49	Fitting – Tube 1/4.....	1
13	00-497765-00002	Valve (Baso).....	1
14	FP-078-49	Fitting – Tube 1/4.....	1
15	00-404079-0000F	Nozzle – Burner 90 Deg. ....	1
16	00-010901-00034	Orifice – Spud Sea Level (NAT).....	1
17	00-010901-00036	Orifice – Spud 2000-3999 (NAT).....	1
18	00-010901-00037	Orifice – Spud 4000-5999 (NAT).....	1
19	00-010901-00038	Orifice – Spud 6000-7999 (NAT).....	1
20	00-010901-00040	Orifice – Spud 8000-10000 (NAT).....	1
21	00-010901-00050	Orifice – Spud Sea Level (PRO).....	1
22	00-010901-00052	Orifice – Spud 2000-3999 (PRO).....	1
23	00-010901-00052	Orifice – Spud 4000-5999 (PRO).....	1
24	00-010901-00053	Orifice – Spud 6000-7999 (PRO).....	1
25	00-010901-00053	Orifice – Spud 8000-10000 (PRO).....	1
26	00-412788-00003	Thermocouple – T46 (24 In.) .....	1
27	FP-085-42	Fitting – Tube 7/16.....	1
28	00-499604-00001	Bracket – Safety Mounting.....	1
29	00-413225-000G1	Burner Assy. ....	1
30	00-499609-00001	Tube – Pilot (Fitting To Safety).....	1
31	FP-047-22	Fitting – Tube 1/4.....	1
32	00-956895-00001	Tube – Pilot Crossover (W60, W60F, & W260).....	1
33	00-413331-00002	Tubing – Pilot (W60, W60F, & W260) .....	1
34	FP-081-74	Fitting – Tube 1/4 (Brass) (W60, W60F, & W260) .....	1
	00-412787-00001	Burner – Pilot (NAT).....	1
	00-412787-00002	Burner – Pilot (PRO).....	1



PL-59145

### GRIDDLE AND BROILER COMPONENTS

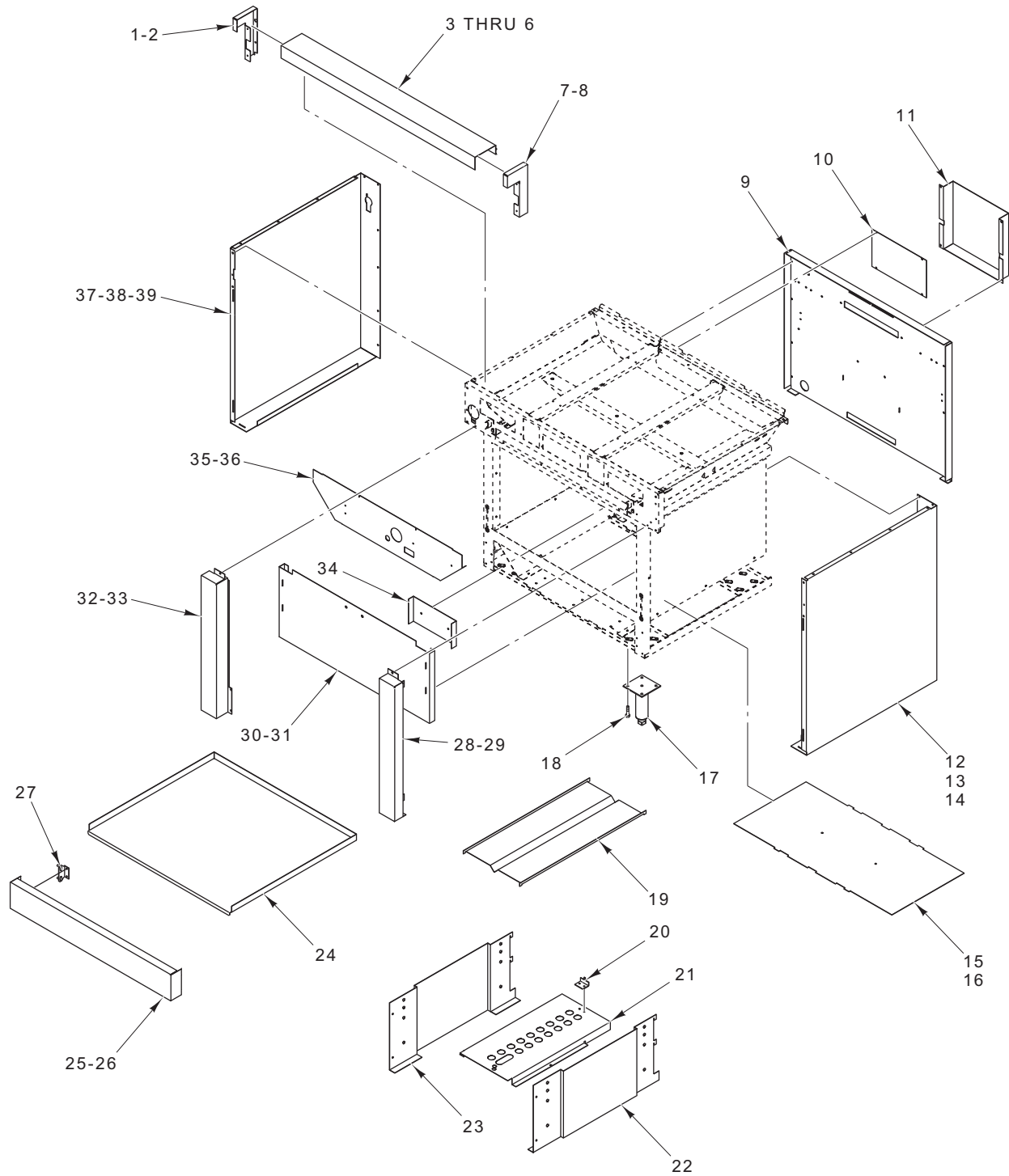
**GRIDDLE AND BROILER COMPONENTS**

ILLUS. PL-59145	PART NO.	NAME OF PART	AMT.
1	00-408726-000G6	Brick Set – Ceramic (W260) (For Griddle/Broiler Only).....	6
2	00-411684-000G1	Burner Assy. – Cast Iron.....	1
3	00-410662-000G1	Tube Assy. – Pilot (Broiler).....	1
4	00-404193-00001	Valve – Pilot (Broiler).....	1
5	00-404076	Valve – Burner Less Hood (Broiler).....	1
6	00-956837-00001	Cover – Griddle And Broiler Manifold.....	1
7	00-956841-00002	Knob – Burner (Red).....	3
8	00-418051-00052	Hood – Orifice Sea Level Broiler (NAT).....	1
9	00-418051-00053	Hood – Orifice 2000-3999 Broiler (NAT).....	1
10	00-418051-00053	Hood – Orifice 4000-5999 Broiler (NAT).....	1
11	00-418051-00053	Hood – Orifice 6000-7999 Broiler (NAT).....	1
12	00-418051-00054	Hood – Orifice 8000-10000 Broiler (NAT).....	1
13	00-418051-00063	Hood – Orifice Sea Level Broiler (PRO).....	1
14	00-418051-00064	Hood – Orifice 2000-3999 Broiler (PRO).....	1
15	00-418051-00065	Hood – Orifice 4000-5999 Broiler (PRO).....	1
16	00-418051-00066	Hood – Orifice 6000-7999 Broiler (PRO).....	1
17	00-418051-00067	Hood – Orifice 8000-10000 Broiler(PRO).....	1
18	SD-038-31	Self-Tapping Screw 10-24 x 1/4 Phil. Pan Hd., Type TT.....	1
	00-408279-00020	Regulator – Pressure NAT (W24, W36, & W36F).....	1
	00-408279-00005	Regulator – Pressure NAT (W60, W60F, & W260).....	1
	00-408279-00021	Regulator – Pressure (PRO) (W24, W36, & W36F).....	1
	00-408279-00006	Regulator – Pressure (PRO) (W60, W60F, & W260).....	1



## RANGE BODY

ILLUS.	PART NO.	NAME OF PART	AMT.
	PL-59146		
1	SC-081-78	Machine Screw 1/4-20 x 2 1/2 Slotted Rd. Hd. ....	4
2	00-957869-00001	Backsplash (W24).....	1
3	00-499670-00001	Backsplash (W36 & W36F).....	1
4	00-499670-00002	Backsplash (W60 & W60F).....	1
5	00-499670-00003	Backsplash (W60F & W260).....	1
6	NS-046-52	Nut Assy. 1/4-20 Hex.....	4
7	00-957873-00001	Shield – Heat (W24).....	1
8	00-499588-00001	Shield – Heat (W36 & W36F).....	1
9	00-499588-00002	Shield – Heat (W60, W60F, & W260).....	1
10	SD-032-07	Self-Tapping Screw 10-24 x 1/2 Hex Washer Hd., Type TT.....	AR
11	00-499594-00001	Post – Bayonet.....	AR
12	00-499668-00001	Grate – Top.....	AR
13	00-499589-00002	Deflector.....	AR
14	00-499589-00001	Deflector.....	AR
15	00-499587-00001	Support – Grate (W24, W36, W36F, W60, & W60F).....	AR
16	00-499587-00002	Support – Grate (W60 & W60F).....	AR
17	00-417243-000G1	Shelf (W24) (SST).....	1
18	00-417244-000G1	Shelf (W36 & W36F) (SST).....	1
19	00-417246-000G1	Shelf (W60, W60F, & W260) (SST).....	1
20	00-499583-00001	Channel – Rear (W36, W60, W60F, & W260).....	1
21	00-499583-00002	Channel – Rear (W24 & W60).....	1
22	00-499585-00001	Support – Burner (W36, W60, W60F, & W260).....	AR
23	00-499585-00002	Support – Burner (W36F).....	AR
24	00-499585-00003	Support – Burner (W24).....	AR
25	00-499586-00001	Deflector – Drip.....	AR
26	00-499606-00001	Channel – Bayonet.....	AR
27	00-499582-00002	Box – Burner (W24).....	1
28	00-499582-00001	Box – Burner (W36, W36F, W60, W60F, & W260).....	1
29	00-956896-00001	Guide – Drip Tray.....	2
30	00-499603-00002	Pan – Drip (W24).....	1
31	00-499603-00001	Pan – Drip (W36, W36F, W60, W60F, & W260).....	1
32	00-499603-00003	Drip Pan (W260).....	1
33	00-499611-000G5	Drip Pan Assy. (W260).....	1
34	00-424919-00001	Handle – Drip Pan (W24).....	1
35	00-424920-00001	Handle – Drip Pan (W36, W36F, W60, W60F, & W260).....	1
	00-957912-000G1	Backsplash Assy. (W24).....	1
	00-499610-000G1	Backsplash Assy. With Shelf (W36 & W36F).....	1
	00-499610-000G2	Backsplash Assy. With Shelf (W60 & W60F).....	1
	00-499610-000G3	Backsplash Assy. With Shelf (W260).....	1
	00-499611-000G1	Drip Pan Assy. (W36, W36F, W60, W60F, & W260).....	1
	00-499611-000G3	Drip Pan Assy. (W24, W60, & W60F).....	1

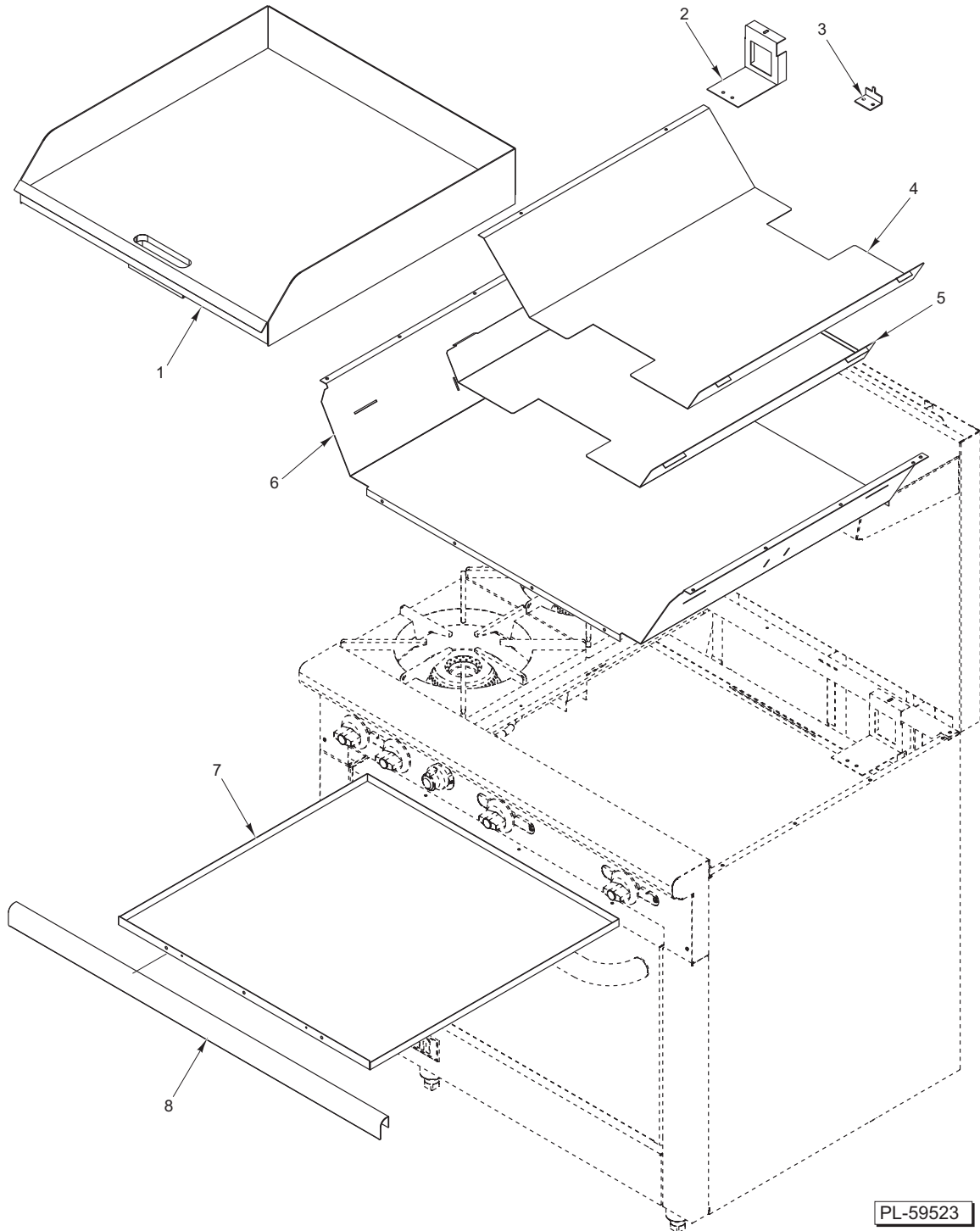


PL-59147

OVEN BODY

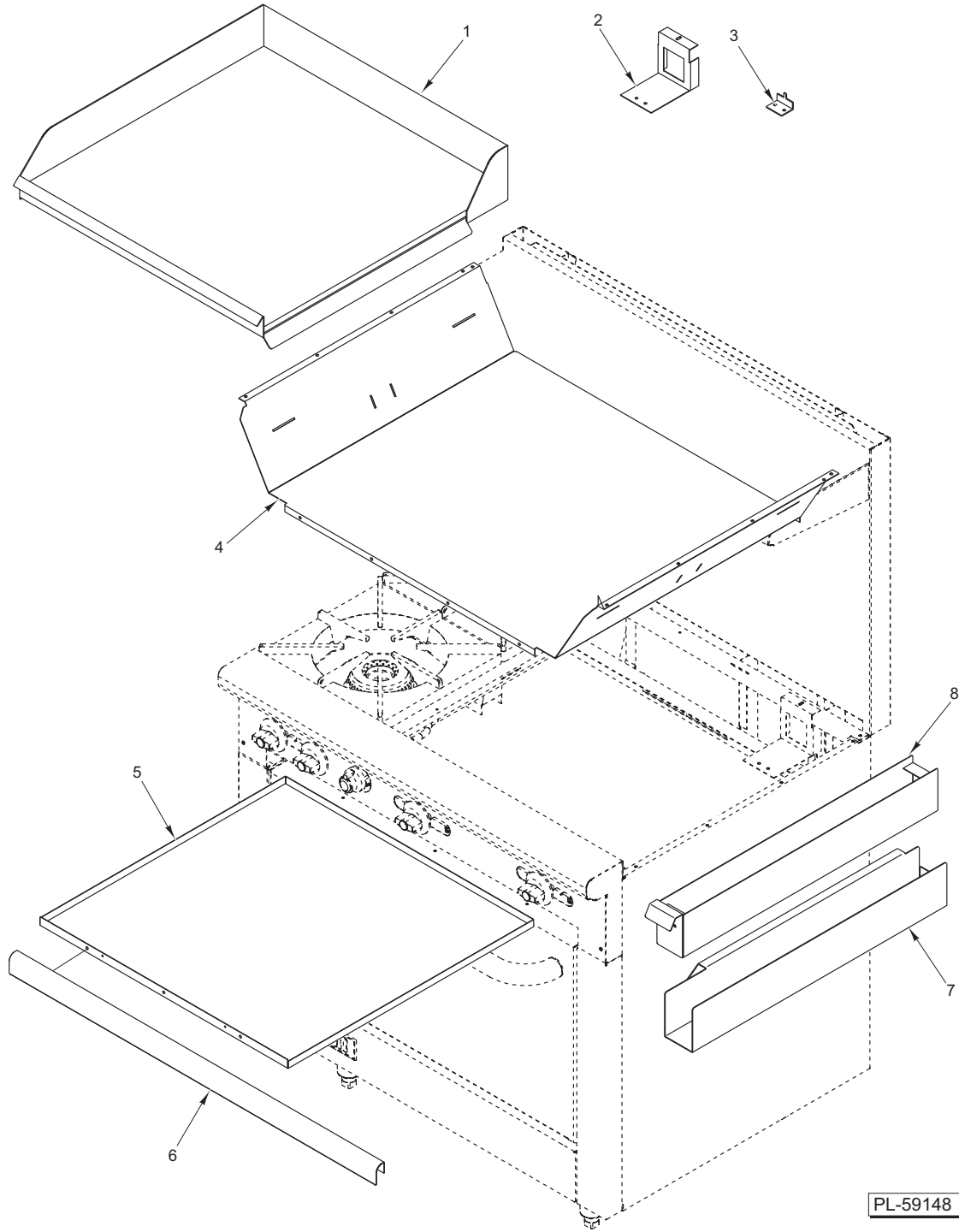
## OVEN BODY

ILLUS.	PART NO.	NAME OF PART	AMT.
	PL-59147		
1	00-499599-00002	Cap – End (LH) (W36, W36F, W60, & W60F) .....	1
2	00-499599-00008	Cap – End (LH) (W260) .....	1
3	00-499992-00001	Front – Top (W24) .....	1
4	00-499598-00001	Front – Top (W36 & W36F) .....	1
5	00-499979-00001	Front – Top (W60 & W60F) .....	1
6	00-499993-000G1	Front – Top (W260) .....	1
7	00-499599-00001	Cap – End (RH) (W24, W36, W36F, W60, & W60F) .....	1
8	00-499599-00007	Cap – End (RH) (W260) .....	1
9	00-499569-00001	Back – Frame .....	AR
10	00-499605-00001	Flue – Closure .....	1
11	00-499590-00001	Flue – Chimney .....	1
12	00-499976-00002	Side – Body (RH) (W60 & W60F) (SST) .....	1
13	00-499591-00001	Side – Body (RH) (W36 & W36F) (SST) .....	1
14	00-499976-00001	Side – Body (LH) (W24 & W260) .....	1
15	00-499570-00002	Closure – Bottom (W24) .....	1
16	00-499570-00001	Closure – Bottom (W36, W36F, W60, W60F, & W260) .....	1
17	00-413112-00012	Leg 6 In. (SST) .....	4
18	SD-032-07	Self-Tapping Screw 10-24 x 1/2 Hex Washer Hd., Type TT .....	16
19	00-499576-00001	Baffle .....	1
20	00-417214-00001	Support – Rear Oven Burner .....	1
21	00-499575-00001	Support – Oven Burner .....	1
22	00-499577-00001	Liner – Oven Side (RH) .....	1
23	00-499577-00002	Liner – Oven Side (LH) .....	1
24	00-499563-00001	Liner – Oven Bottom .....	1
25	00-957867-00002	Panel – Kick (W24) .....	1
26	00-499671-00002	Panel – Kick (W36, W36F, W60, W60F, & W260) .....	1
27	00-428179-000G1	Bracket Assy. – Kick Panel Mounting .....	2
28	00-499593-00001	Trim – Edge (RH) (W36) .....	1
29	00-956838-00001	Trim – Edge (RH) (W260) .....	1
30	00-499580-00002	Back – Oven (W24) .....	1
31	00-499580-00001	Back – Oven (W36, W36F, W60, W60F, & W260) .....	1
32	00-499593-00002	Trim – Edge (LH) (W36) .....	1
33	00-499991-00001	Trim – Edge (LH) (W260) .....	1
34	00-499581-00001	Standoff – Oven Back .....	AR
35	00-499573-00001	Plate – Gas .....	1
36	00-499573-00002	Plate – Gas (W24) .....	1
37	00-499977-00001	Side – Body (LH) (W24 & W260) (SST) .....	1
38	00-499977-00002	Side – Body (LH) (W60 & W60F) (SST) .....	1
39	00-499592-00001	Side – Body (LH) (W36 & W36F) (SST) .....	1
	00-957870-000G1	Top Front Assy. (W24) .....	1
	00-499600-000G1	Top Front Assy. (W36, W36F & W260) .....	1
	00-499980-000G1	Top Front Assy. (W60 & W60F) .....	1



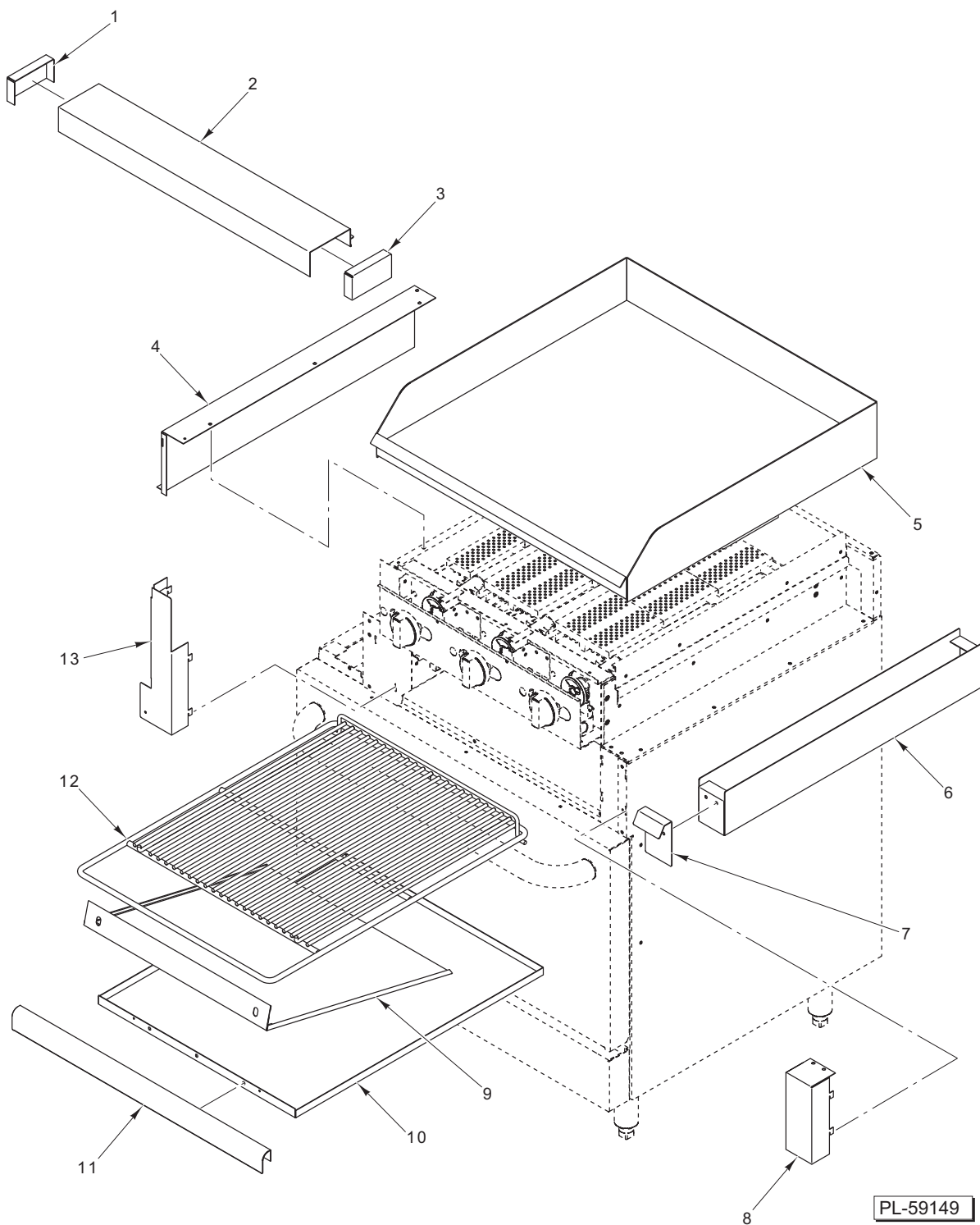
**GRIDDLE BODY (PREVIOUS CONSTRUCTION)**

ILLUS.	PART NO.	NAME OF PART	AMT.
PL-59523			
1	00-499669-000G1	Griddle Assy.....	1
2	00-956847-00001	Support – Rear Griddle Burner.....	2
3	00-417214-00001	Support – Rear.....	1
4	00-956848-00001	Deflector – Griddle Side (W36F).....	1
5	00-957917-00001	Pan (W60F).....	1
6	00-499582-00002	Box – Burner.....	1
7	00-499603-00002	Pan – Drip.....	1
8	00-424919-00001	Handle – Drip Pan.....	1
	00-499611-000G3	Drip Pan Assy.....	1



**GRIDDLE BODY (CURRENT CONSTRUCTION)**

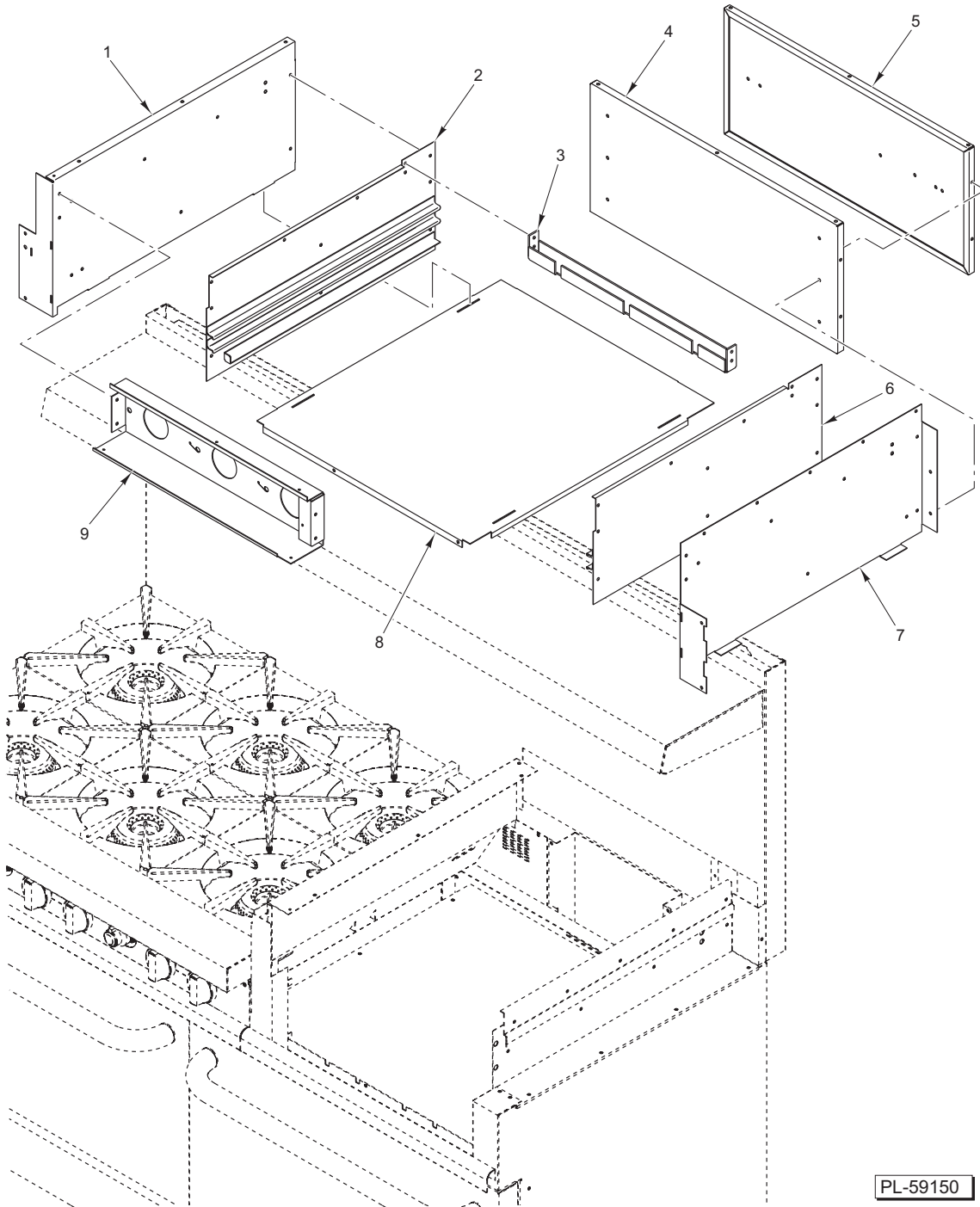
ILLUS.	PART NO.	NAME OF PART	AMT.
PL-59148			
1	00-958800-000G1	Griddle Assy. ....	1
2	00-956847-00001	Support – Rear Griddle Burner .....	2
3	00-417214-00001	Support – Rear .....	1
4	00-499582-00002	Box – Burner .....	1
5	00-499603-00002	Pan – Drip .....	1
6	00-424919-00001	Handle – Drip Pan .....	1
7	00-956840-000G1	Trough – Grease Assy. ....	1
8	00-958796-00001	Holder – Trough .....	1
	00-499611-000G3	Drip Pan Assy. ....	1



**GRIDDLE AND BROILER BODY**

**GRIDDLE AND BROILER BODY**

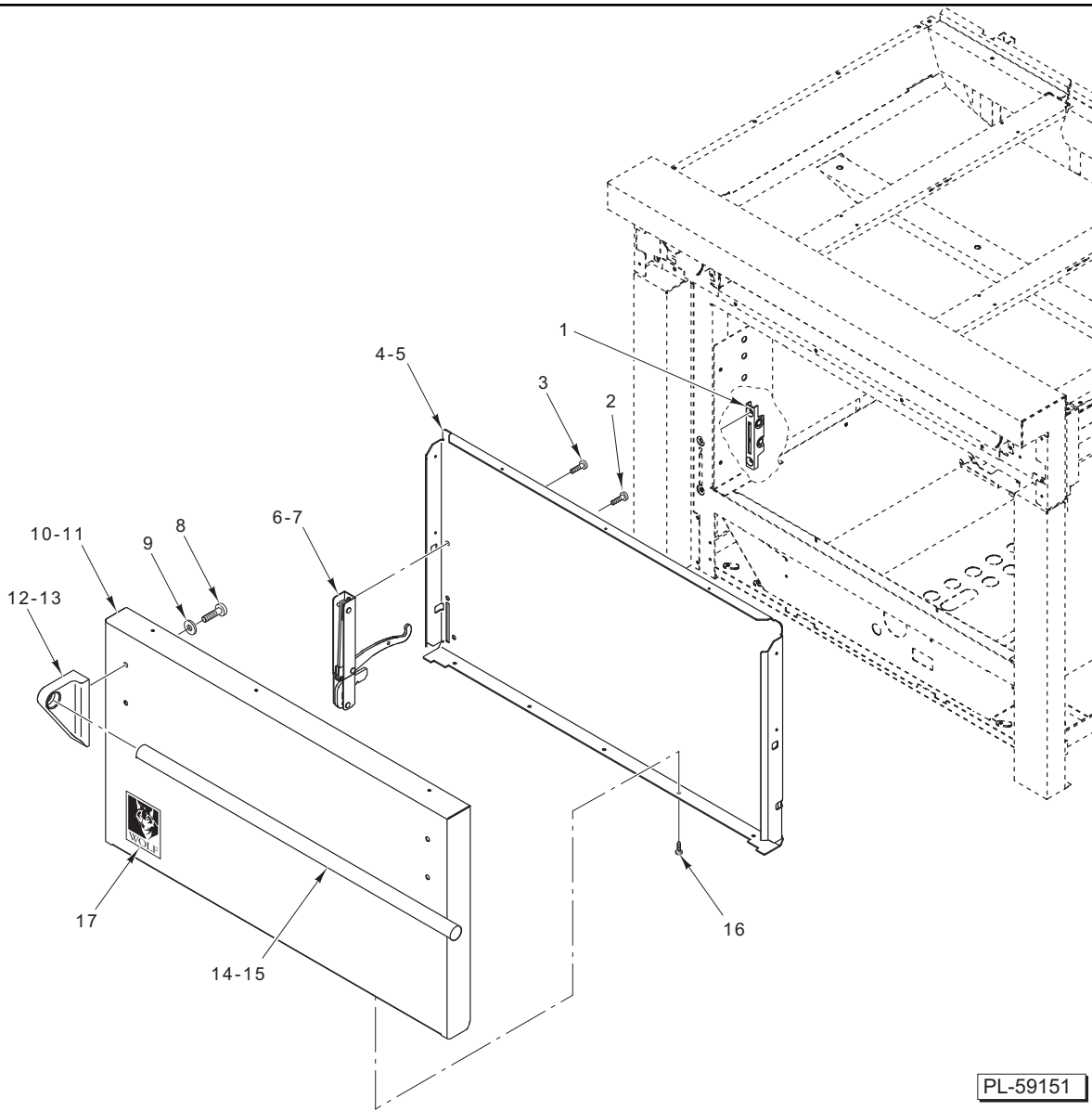
ILLUS. PL-59149	PART NO.	NAME OF PART	AMT.
1	00-499599-00012	Cap – End (LH).....	1
2	00-499992-00003	Front – Top.....	1
3	00-499599-00011	Cap – End (RH).....	1
4	00-499989-00001	Trim – Inside Broiler.....	1
5	00-418862-000G1	Griddle Assy.....	1
6	00-956839-00001	Trough – Grease.....	1
7	00-956846-00001	Handle – Grease Trough.....	1
8	00-956838-00001	Trim – Broiler Front (RH).....	1
9	00-417670-00001	Tray – Drip.....	1
10	00-499603-00003	Pan – Drip.....	1
11	00-424919-00001	Handle – Drip Pan.....	1
12	00-417632-00001	Grid Assy.....	1
13	00-499991-00001	Trim – Broiler Front (LH).....	1
	00-417669-000G1	Drip Tray Assy.....	1
	00-499993-000G3	Top Front Assy.....	1
	00-956840-000G1	Grease Trough Assy.....	1
	00-499611-000G5	Drip Pan Assy.....	1



PL-59150

**BROILER BODY**

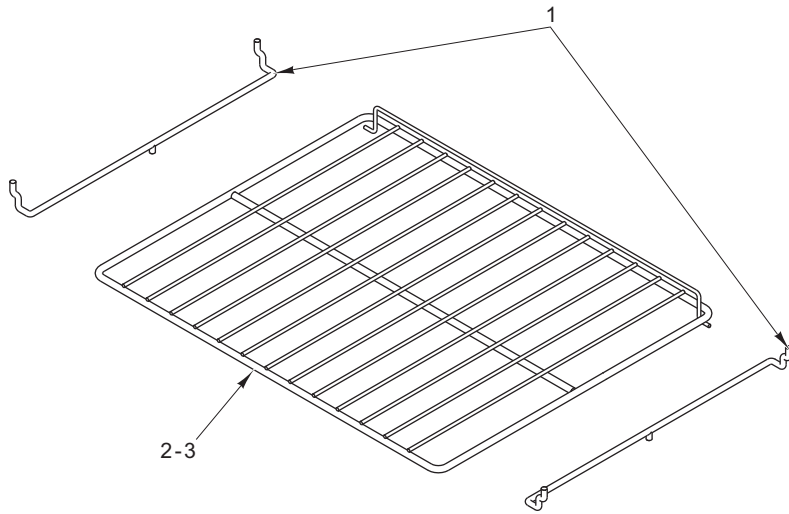
ILLUS.	PART NO.	NAME OF PART	AMT.
PL-59150			
1	00-499986-00001	Sidewall (RH).....	1
2	00-420791-000G1	Liner Assy. – Inner (LH) .....	1
3	00-417665-00001	Support – Burner .....	1
4	00-499995-00001	Back – Broiler .....	1
5	00-499994-00001	Back – Frame .....	1
6	00-420791-000G2	Liner Assy. – Inner (RH).....	1
7	00-499986-00002	Sidewall (LH) .....	1
8	00-499985-00001	Base.....	1
9	00-499987-00001	Plate – Gas .....	1
	00-499990-000G1	Broiler Assy. ....	1



PL-59151

**DOOR**

ILLUS.	PART NO.	NAME OF PART	AMT.
	PL-59151		
1	00-497029-00001	Hinge – Door Stop .....	2
2	00-497080-00001	Screw 1/4-20 x 3/8 Truss Hd. ....	2
3	00-723369	Mach. Screw 1/4-20 x 1/2 Phil. Truss Hd. ....	4
4	00-956755	Liner – Door (W36, W36F, W60, W60F, & W260).....	1
5	00-957915-00001	Liner – Door (W24) .....	1
6	00-497027-00001	Spring Hinge (RH) .....	1
7	00-497027-00002	Spring Hinge (LH).....	1
8	SD-037-70	Self-Tapping Screw 1/4-20 x 1/2 Hex Washer Hd., Type TT .....	2
9	00-499981-00001	Washer.....	2
10	00-499601-00001	Panel – Door (W36, W36F, W60, W60F, & W260) .....	1
11	00-957868-00001	Panel – Door (W24).....	1
12	00-719621	Bracket – Aluminum Door Handle (LH).....	1
13	00-719622	Bracket – Aluminum Door Handle (RH) .....	1
14	00-715504	Handle (W36, W36F, W60, W60F, & W260).....	1
15	00-417440-00001	Handle – Door (W24).....	1
16	SD-008-27	Self-Tapping Screw 10-16 x 1/2 Phil. Truss Hd., Type B .....	8
17	00-957809-00001	Plate – Name (Wolf).....	1
	00-499612-000G3	Door Assy. (W36, W36F, W60, W60F, & W260) .....	1
	00-957910-000G3	Door Assy. (W24).....	1



PL-59152

### OVEN RACKS

ILLUS.	PART NO.	NAME OF PART	AMT.
1	00-499982-00001	Rack – Side .....	4
2	00-417248-00001	Rack – Oven (24 In.) (W24).....	1
3	00-413300-00001	Rack – Oven (30 In.) (W36, W36F, W60, W60F, & W260) .....	1

### RECOMMENDED SPARE PARTS LIST

PART NO.	NAME OF PART
00-404076	Valve – Burner (On/Off)
00-412063-00002	Tip – Pilot
00-497027-00001	Spring – Door (RH)
00-497027-00002	Spring – Door (LH)
00-499678-00001	Knob – Thermostat
00-497765-00002	Valve – Safety (Baso)
00-417424-000G1	Thermostat – Oven (Used On Machines Built Before September 1, 2009)
00-499983-000G1	Thermostat – Oven (Used On Machines Built On Or After September 1, 2009)
00-412788-00003	Thermocouple