

VULCAN

CATALOG OF REPLACEMENT PARTS

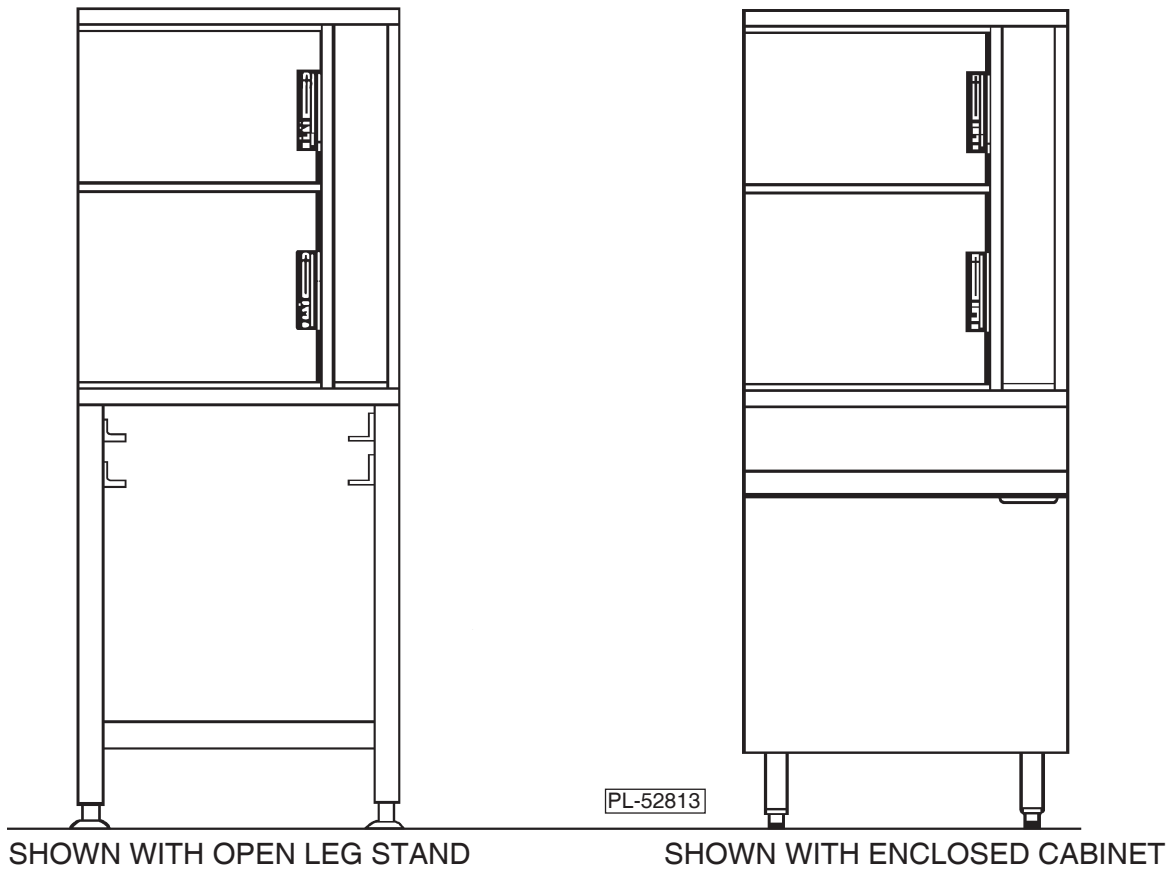
VSX SERIES STEAMERS

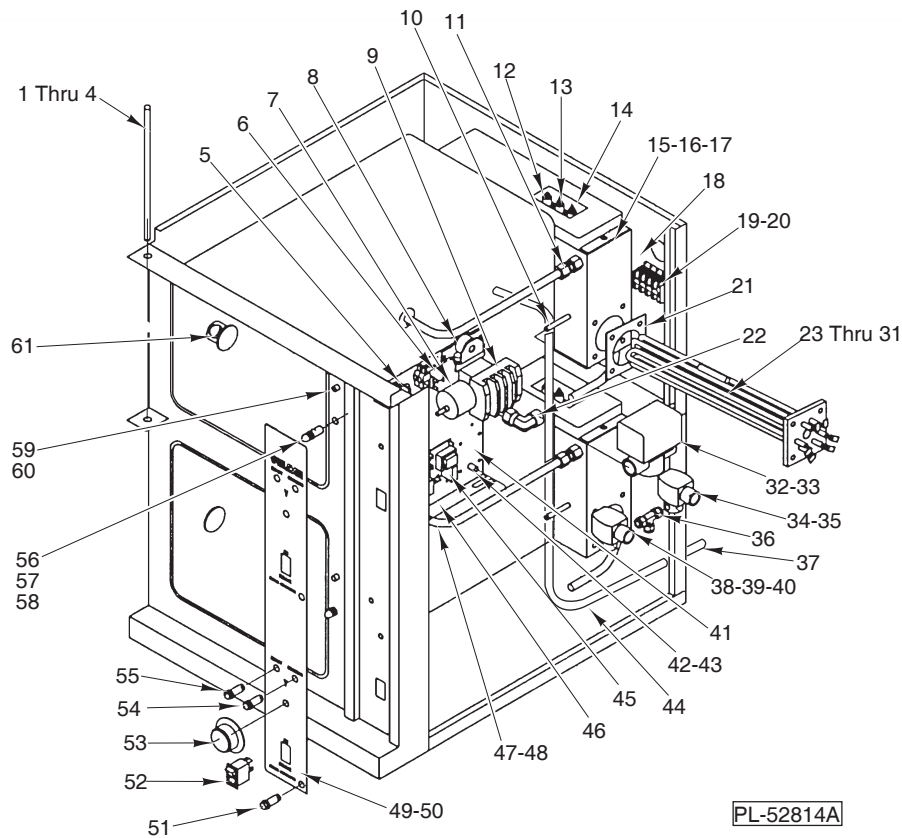
MODELS

VSX7EC	ML-114822
VSX7EO	ML-114821
VSX710EC	ML-114824
VSX10EO	ML-114823



For additional information on Vulcan-Hart or to locate an authorized parts and service provider in your area, visit our website at www.vulcanhart.com



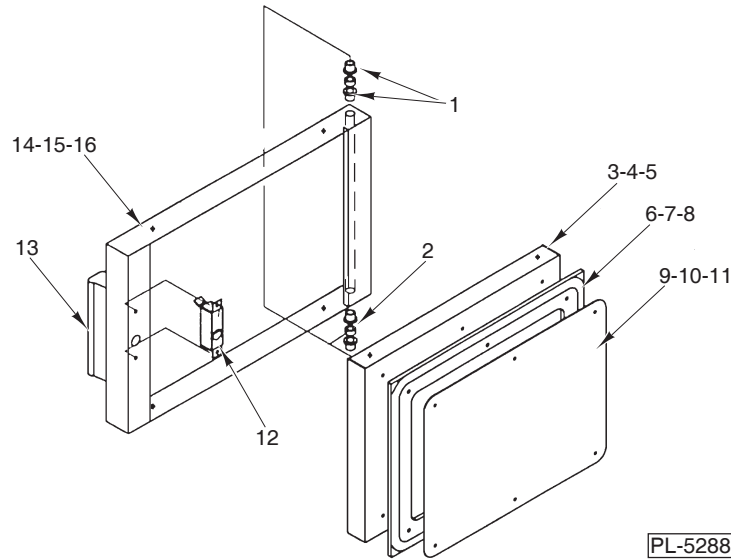


FRAME ASSEMBLY

ILLUS. PL-52814A	PART NO.	NAME OF PART	AMT.
	1	00-850448 Rod - Hinge (VSX7EO/EC)	1
	2	00-851411 Rod - Hinge (VSX7EO/EC)	1
	3	00-851816 Rod - Hinge (VSX10EO/EC)	2
	4	00-851410 Washer - Hinge (SST)	1
	5	00-843813 Relay	4
	6	00-843812 Relay	2
	7	00-411690-00002 Timer (60 Min.)	2
	8	00-844330 Buzzer	2
	9	00-881975 Contactor (30 Amp) (3 Pole)	4
		00-853270 Contactor (4 Pole)	4
	10	FP-078-49 Connector - Tank Water Fill	2
	11	00-850011 Connector - Tank (R.H. Tube)	2
	12	00-844156 Probe - Short	2
	13	00-850483 Probe (4 1/4)	2
	14	00-850482 Probe (5)	2
	15	00-854312 Tank - Steam Generator	2
	16	00-843809 Gasket - Tank	2
	17	00-850484 Cover - Tank	2
		00-854471 Pressure Switch (5 PSI)	

FRAME ASSEMBLY (CONT.)

ILLUS. PL-52814A	PART NO.	NAME OF PART	AMT.
18	00-844367-00008	Lug - Ground	1
19	00-844367-00009	Block - Terminal (208/220/240)	3
20	00-844367-00010	Section - End	1
21	00-836926	Gasket - Element	2
22	00-850013	Elbow - Blowdown Solenoid	2
23	00-836927	Element Assy. (208V, 7.5 KW, Top)(VSX7EO/EC)	1
24	00-836928	Element Assy. (240V, 7.5 KW, Top)(VSX7EO/EC)	1
25	00-843936	Element Assy. (480V, 7.5 KW, Top)(VSX7EO/EC)	1
26	00-843821	Element Assy. (208V, 10 KW, Bottom)(VSX7EO/EC)	1
27	00-851408	Element Assy. (240V, 10 KW, Bottom)(VSX7EO/EC)	1
28	00-851409	Element Assy. (480V, 10 KW, Bottom)(VSX7EO/EC)	1
29	00-843937	Element Assy. (208V, 15 KW)(VSX10EO/EC)	2
30	00-843938	Element Assy. (240V, 15 KW)(VSX10EO/EC)	2
31	00-843939	Element Assy. (480V, 15 KW)(VSX10EO/EC)	2
32	00-843804	Solenoid (Blowdown)	2
33	00-850014	Connector - Blowdown Solenoid	2
34	00-853340	Solenoid (Filling)	2
35	00-850008	Connector - Water Fill Solenoid	2
36	00-850009	Tee - Solenoids	2
37	00-850015	Fitting - Water Connection	2
38	00-853340	Solenoid - Cooling/Filling (VSX7EO/EC)	2
39	00-843944	Solenoid - Cooling (VSX10EO/EC)	2
40	00-850010	Elbow - Water Cool Solenoid	2
41	00-850429-00001	Thermostat - Safety	2
42	00-881973	Thermostat	2
43	00-844401	Fitting - Thermostat	2
44	00-850003	Tubing (Between Solenoids)	2
45	00-850481	Control - Level	2
46	00-851407	Mounting - Component	2
47	00-853972	Tube - RH Steam Jet	2
48	00-853973	Tube - LH Steam Jet	2
49	00-851406	Decal - Control (VSX7EO/EC)	1
50	00-851522	Decal - Control (VSX10EO/EC)	1
51	00-844388	Pilot Light (Delime Generator)(Amber)	2
52	00-855456	Switch - Power	2
53	00-843781-00003	Knob - Timer (60 Hz.)	2
54	00-843808	Light - Pilot (Red)	2
55	00-843807	Light - Pilot (Green)	2
56	00-840496	Striker	2
57	WL-006-36	Lockwasher - Striker	2
58	NS-015-16	Nut, Striker Hex 1/2"-20 SST	2
59	00-842049	Switch - Door	2
60	00-850077	Pin - Switch Activator	2
61	00-850041	Descaling Assy.	2
	00-844391	Transformer Delime (208/240V to 12V)	2
	00-355926	P.C. Board - Delime	2
	00-843813	Relay - Delime	2
	00-850025	Fuse (3A, 600V)(380/415/480V)	2
	00-881978	Transformer (480)	1
	00-850489	Block - Fuse (380/415/480V)	2
	00-841917	Top (SST)	1
	00-851412	Panel - Side (VSX7EO/EC)	1
	00-851413	Panel - Side (VSX10EO/EC)	1
	00-851414	Panel - Side (L.H. & Back)(VSX7EO/EC)	1
	00-851415	Panel - Side (L.H. & Back)(VSX10EO/EC)	1
	00-850012	Elbow - Tank (L.H. Tube)	2
	00-851542	Strainer	1
	00-851823	Fuse (1 Amp) (600V)	1
	00-853974	Fuse (2 Amp)	1
	00-850070	Flanged Foot (Open or Closed Base)	
	00-850071	Bullet Foot (Open or Closed Base)	
	00-840589	Door Magnet (Base)	1



DOOR ASSEMBLY

ILLUS. PL-52886	PART NO.	NAME OF PART	AMT.
	1	00-840479 Bushing - Bronze (Door)	8
	2	00-850447 Spacer	4
	3	00-844195 Panel - Door (3 Pan)	1
	4	00-845587 Panel - Door (4 Pan)	1
	5	00-845588 Panel - Door (5 Pan)	2
	6	00-844196 Gasket (3 Pan)	1
	7	00-844384 Gasket (4 Pan)	1
	8	00-844385 Gasket (5 Pan)	2
	9	00-850639 Plate - Gasket (3 Pan)	1
	10	00-851417 Plate - Gasket (4 Pan)	1
	11	00-851418 Plate - Gasket (5 Pan)	2
	12	00-844194 Latch Assy. - Door	2
	13	00-844193 Handle - Door	2
	14	00-845586 Frame - Door (5 Pan)	2
	15	00-845585 Frame - Door (4 Pan)	1
	16	00-844192 Frame - Door (3 Pan)	1
		00-850193 Door Handle Decal	2
		00-844453 Screw 10-32 x 1/2 Dimple Hd. (Gasket Panel)	AR
		00-844191 Door Assy. (3 Pan Compartment)(VSX7EO/EC)	1
		00-845583 Door Assy. (4 Pan Compartment)(VSX7EO/EC)	1
		00-840492 Door Assy. (5 Pan Compartment)(VSX10EO/EC)	2
		00-844343 Open Stand Assy. (Not Shown)(VSX7EO/10EO)	1
		00-851525 Enclosed Cabinet (Not Shown)(VSX7EC/10EC)	1
		00-840499 Rack - Pan (3 Pan)(VSX7EO/EC)	2
		00-843859 Rack - Pan (4 Pan)(VSX7EO/EC)	2
		00-843860 Rack - Pan (5 Pan)(VSX10EO/EC)	4
		00-840495 Trough - Perforated	1

RECOMMENDED SPARE PARTS

PART NO.	NAME OF PART	AMT.
00-855456	Switch - Power ON/OFF (W/Delime)	2
00-842049	Door Switch	2
00-843813	Relay (240V) (Double)	2
00-843809	Tank Gasket	2
00-843812	Relay (110V) (Single)	2
00-853340	Cooling Solenoid (VSX7)	2
00-836926	Element Gasket	2
00-881973	Thermostat	2
00-850429-00001	Safety Thermostat	2
00-854471	Pressure Switch (5 PSI)	1
00-853270	Contactora (4 Pole)	2
00-836927	Element (208V) (7.5 Kw) (VSX7) (Top)	2
00-843821	Element (208V) (10 Kw) (VSX7) (Bottom)	2
00-843937	Element (208V) (15 Kw) (VSX5/VSX10)	2
00-836928	Element (240V) (7.5 Kw) (VSX7) (Top)	2
00-851408	Element (240V) (10 Kw) (VSX7) (Bottom)	2
00-843938	Element (240V) (15 Kw) (VSX5/VSX10)	2
00-881975	Contactora (30 Amp) (3 Pole) (Old Style)	2
00-843804	Blowdown Solenoid	1
00-843944	Cooling Solenoid (VSX5)	2
00-850481	Level Control Built	2
00-844391	Delime Transformer	2
00-355926	Delime P.C. Board	2
00-853974	Fuse (2 Amp)	2
00-851723	Fuse (1 Amp)	2
00-850025	Fuse (3 Amp)	2