

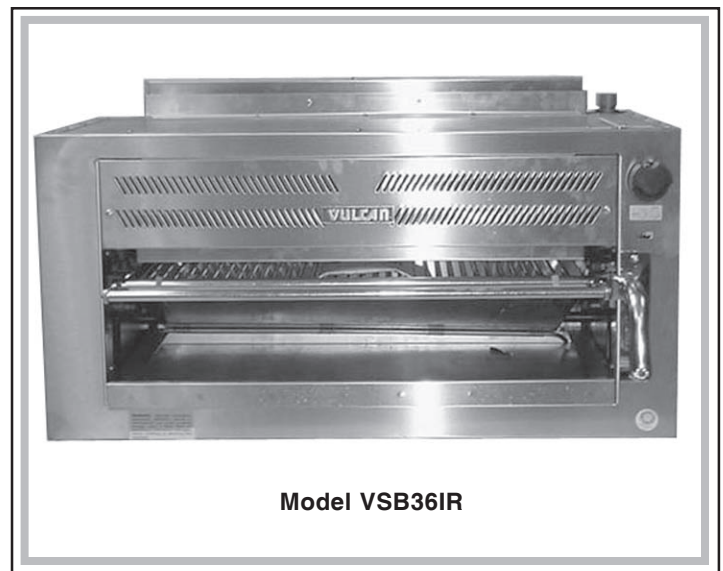
VULCAN

CATALOG OF REPLACEMENT PARTS

SALAMANDER-BROILERS

MODELS

VSB34R	ML-135139
VSB34IR	ML-135140
VSB36	ML-135142
VSB36R	ML-44935
VSB36I	ML-135143
VSB36IR	ML-44936
36SB	ML-135142
36SBI	ML-135143



For additional information on Vulcan-Hart or to locate an authorized parts and service provider in your area, visit our website at www.vulcanhart.com

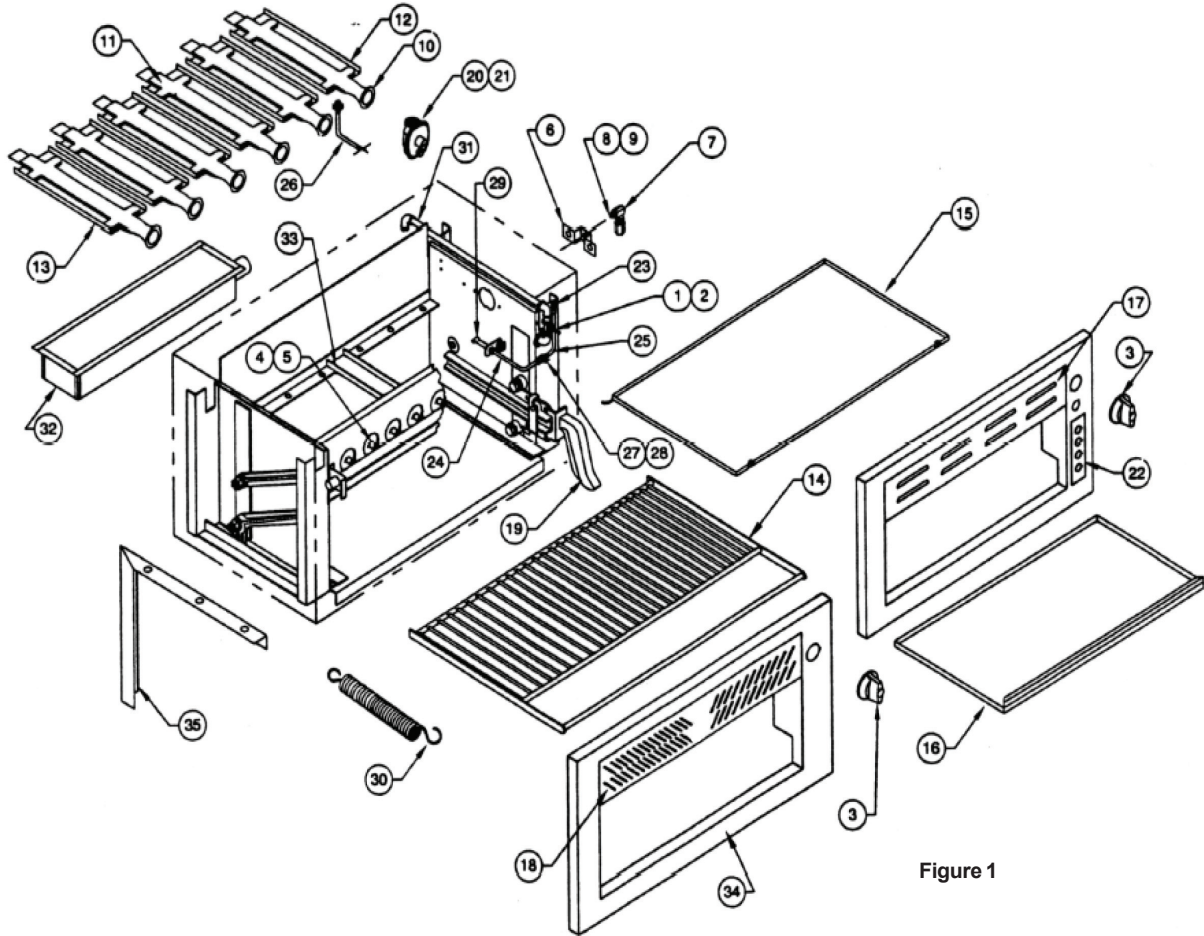


Figure 1

REPLACEMENT PARTS LIST

ILLUS.	PART NO.	NAME OF PART	AMT.
Figure 1			
1	00-712020	Shut-Off Valve (Canada)	1
2	00-712043	Shut-Off Valve	1
3	00-426745-00001	Shut-Off Valve, Knob (Black)	1
3A	00-420560-00001	Shut-Off Valve, Knob (Red) (VSB34R, VSB34IR)	1
4	00-719951-00053	Orifice (Nat. Gas) (Cast Iron Burners)	1
5	00-719951-00060	Orifice (LP Gas) (Cast Iron Burners)	1
6	00-753363	Orifice Bracket	1
7	00-713967-00041	Infrared Burner Orifice (Nat. Gas)	1
7A	00-713967-00050	Infrared Burner Orifice (LP Gas)	1
7B	00-719206	Hood Fitting for Cast Iron Burner Orifice	6
8	00-712368	Orifice Plug #40 (Nat. Gas)	1
9	00-712369	Orifice Plug #50 (LP Gas)	1
10	00-719265	Air Shutter	1
11	00-712001-000A2	Burner Assy. (Cast iron)	6
11A	00-712001	Burner Only (Cast Iron)	6
12	00-702069-00002	Burner Radiant Only (RH) (SS) (Cast Iron Burner)	6
13	00-702070-00002	Burner Radiant Only (LH) (SS) (Cast Iron Burner)	6
13A	00-719352	Radiant Pin (Cast Iron Burner)	4
13B	00-730403	Cotter Pin (Cast Iron Burner)	1
14	00-702317-0000A	Broiler Rack Assy.	1
15	00-702319-0000A	Broiler Rack Drip Tray	1

REPLACEMENT PARTS LIST CONTINUED

ILLUS.	PART NO.	NAME OF PART	AMT.
Figure 1			
16	00-702321-0000A	Drip Pan Lower	1
17	00-702022-00001	Louver Panel (SS)	1
18	00-753266-00001	Louver Panel (SS) (IR)	1
19	00-702316-0000A	Trigger Handle Assy. Complete	1
20	00-408279-00025	Regulator (Nat. Gas)	1
21	00-408279-00021	Regulator (LP Gas)	1
22	00-712004-000PL	Index Plate	1
23	00-719153	90 Deg. Elbow 1/8" IPT X 3/16" CC	1
24	00-719122	Pilot Tube 3/16"	1
25	00-753881	1/4" Pilot Tubing - 7-1/2" Long	1
26	00-719136-0000A	Pilot Tip & Tube Assy. (Cast Iron Burners Only)	1
27	00-715039	Pilot Valve	1
28	00-715086	Pilot Adjustment Fitting	1
29	00-718327	Infrared Burner Pilot Assy.	1
30	00-701201-00007	Rack Elevator Spring	1
31	00-753361-0000A	Manifold Assy.	1
32	00-712365	Infrared Burner	1
33	00-753366-0000A	Heat Deflector Assy.	1
34	00-702411-0000A	Front Frame (SS)	1
35	00-702415-00APL	Wall Mounting Bracket	1
	00-788504-0000A	Front Frame (VSB34)	1
	00-712013	Sub-Manifold for Cast Iron Burners	1

**RECOMMENDED SPARE PARTS
VSB34R SALAMANDER BROILER**

PART NO.	NAME OF PART	AMT.
00-408279-00025	Regulator (Nat. Gas)	2
00-408279-00021	Regulator (LP Gas)	2
00-712043	Shut-Off Valve	2
00-719206	Orifice Hood	2
00-420560-00001	Red Knob	2
00-719951-00053	Orifice #53 (Nat. Gas)	2
00-719951-00061	Orifice #61 (LP Gas)	2
00-718327	Pilot Burner	2
00-712001	Burner	2

**RECOMMENDED SPARE PARTS
VSB34IR SALAMANDER BROILER**

PART NO.	NAME OF PART	AMT.
00-408279-00025	Regulator (Nat. Gas)	2
00-408279-00021	Regulator (LP Gas)	2
00-712043	Shut-Off Valve	2
00-718327	Pilot Burner	2
00-420560-00001	Red Knob	2
00-426745-00001	Black Knob	2
00-713967-00040	Orifice #40 (Nat. Gas)	2
00-713967-00050	Orifice #50 (LP Gas)	2
00-712365	Infrared Burner	1

**RECOMMENDED SPARE PARTS
VSB36 & VSB36R SALAMANDER BROILER**

PART NO.	NAME OF PART	AMT.
00-408279-00025	Regulator (Nat. Gas)	2
00-408279-00021	Regulator (LP Gas)	2
00-712043	Shut-Off Valve	2
00-718327	Pilot Burner	2
00-420560-00001	Red Knob	2
00-426745-00001	Black Knob	2
00-719951-00053	Orifice #53 (Nat. Gas)	2
00-719951-00061	Orifice #61 (LP Gas)	2
00-712001-000A2	Broiler Burner	1

**RECOMMENDED SPARE PARTS
VSB36I & VSB36IR SALAMANDER BROILER**

PART NO.	NAME OF PART	AMT.
00-408279-00025	Regulator (Nat. Gas)	2
00-408279-00021	Regulator (LP Gas)	2
00-712043	Shut-Off Valve	2
00-718327	Pilot Burner	2
00-420560-00001	Red Knob	2
00-426745-00001	Black Knob	2
00-713967-00040	Orifice #40 (Nat. Gas)	2
00-713967-00050	Orifice #50 (LP Gas)	2
00-712365	Infrared Burner	1

**RECOMMENDED SPARE PARTS
36SB SALAMANDER BROILER**

PART NO.	NAME OF PART	AMT.
00-408279-00025	Regulator (Nat. Gas)	2
00-408279-00021	Regulator (LP Gas)	2
00-712043	Shut-Off Valve	2
00-719135	Pilot Tip	2
00-426745-00001	Black Knob	2
00-719951-00053	Orifice #53 (Nat. Gas)	2
00-719951-00061	Orifice #61 (LP Gas)	2
00-712001-000A2	Broiler Burner	1