

# VULCAN

## CATALOG OF REPLACEMENT PARTS

### GAS CONVECTION STEAMER

#### MODELS

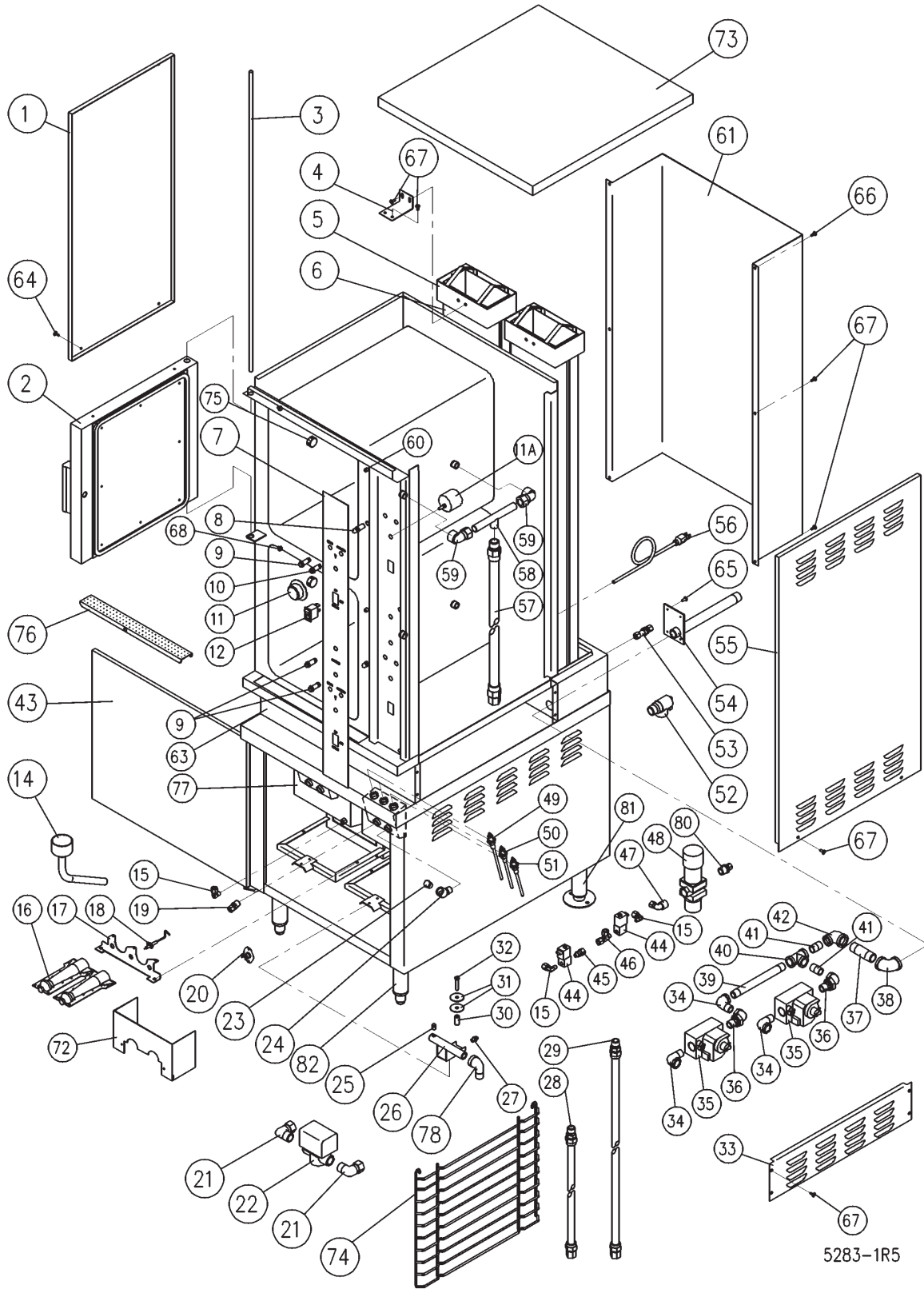
VHX10G

ML-126834



For additional information on Vulcan-Hart Company or to locate an authorized parts and service provider in your area, visit our website at [www.vulcanhart.com](http://www.vulcanhart.com)





5283-1R5

**PRESSURELESS COOKER, MODEL VHX10G**

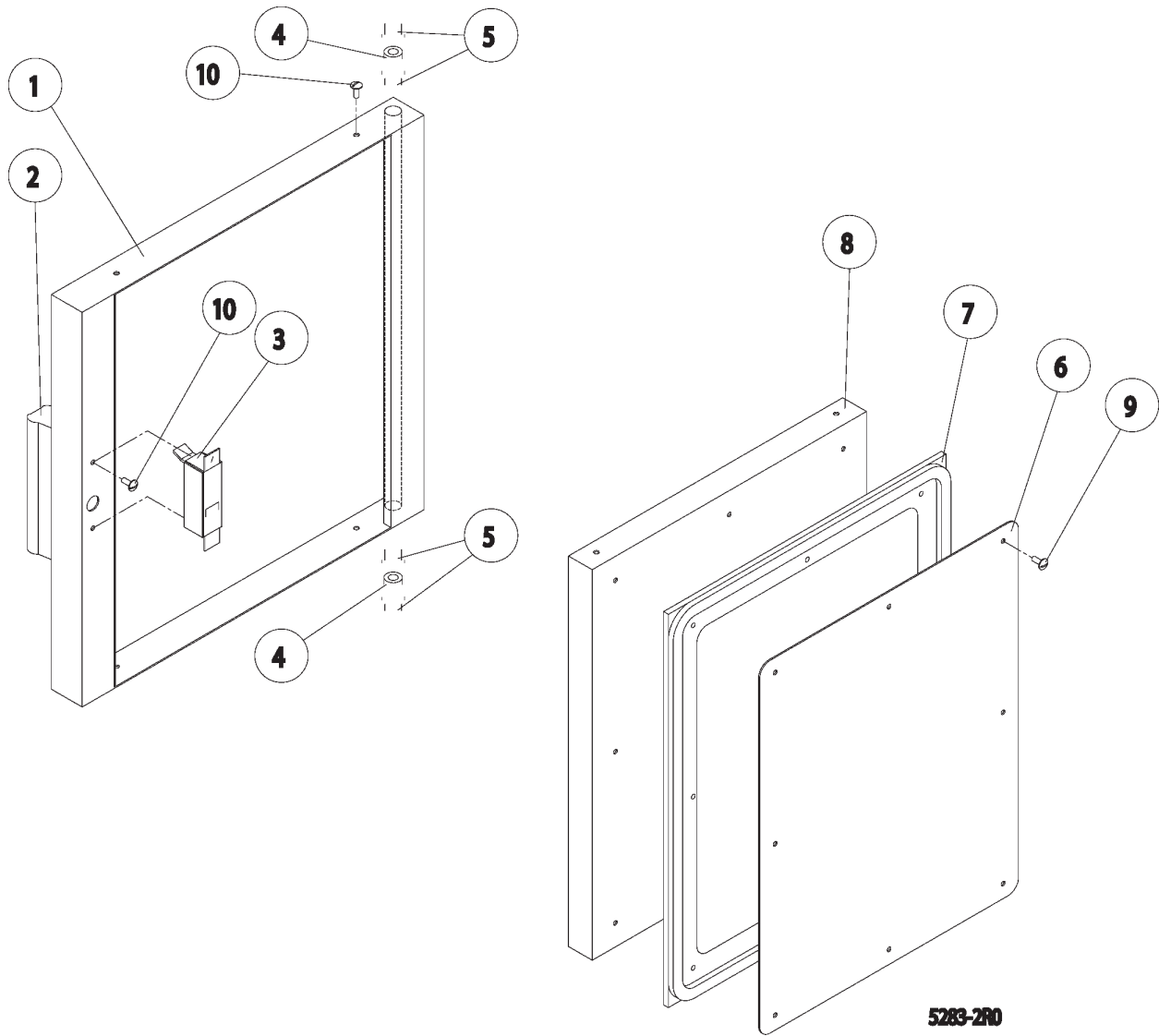
**PRESSURELESS COOKER, MODEL VHX10G**

ILLUS.	PART NO.	NAME OF PART	AMT.
5283-1R5			
1	854894	Left Hand Side Panel .....	1
2	845584	Door Assembly .....	2
3	844564	Hinge Rod (3977) .....	1
4	854895	Flue Support .....	2
5	854896	Flue Top .....	2
6	854897	Flue .....	2
7	855094	Decal .....	1
8	840496	Striker (3498) .....	2
	844533	Washer, Stainless Steel .....	2
	850075	Lock Washer .....	2
	850076	Nut .....	2
9	840507	Pilot Light - Green .....	2
10	844367-55	Pilot Light - Red .....	2
11	844032-1	Dial 60 Hz (120 Minutes) .....	2
	854806	Dial 60 Hz (60 Minutes) .....	2
	843781-3	Dial 50 Hz (60 Minutes) .....	2
11A	411690-1	Timer (60 Minutes) .....	2
	844158	Timer (120 Minutes) Optional .....	2
12	855095	Switch, Power .....	2
14	854898	Delime Funnel .....	1
15	851563	Elbow 3/8" Copper x 1/8" MPT .....	3
16	854899	Burner Assembly .....	4
17	854900	Burner Mounting Bracket .....	2
18	854901	Spark Electrode .....	2
19	844401	Thermostat Fitting .....	2
20	854902	High Limit Sensor .....	2
21	851726	Elbow - Blowdown 3/4" C x 3/4" MPT .....	4
*	854903	High Limit Sensor Cover .....	2
22	836931	Blowdown Valve 3/4" C x 3/4" MPT .....	2
23	854904	Brass Plug 3/8" MPT .....	2
24	854905	45° Brass St. Elbow 3/8" MPT .....	2
25	854906	Square Head Pipe Plug 1/8" MPT .....	2
26	854907	Manifold Assembly .....	2
**27	854908	Orifice, Natural #30 .....	4
	852982	Orifice, LP #46 .....	4
28	853484	Gas Flex Tube 1/2" x 36" .....	1
29	853484	Gas Flex Tube 1/2" x 36" .....	1
30	853967	Burner Support .....	2
31	854335	Fender Washer 1/4" .....	4
32	854336	Hex Cap Screw 1/4" - 20 x 11/2" .....	2
33	850497	Side Riser Panel .....	2
34	854339	St. Elbow 1/2" .....	3
**35	853401-1	Combination Control, Natural Gas .....	2
	853401-2	Combination Control, LP .....	2
36	842904	Union Elbow 1/2" .....	2
37	854909	Pipe 3/4" x 3" .....	1
38	851016	Elbow 3/4" .....	1
39	854910	Nipple 1/2" x 7-3/4" .....	1
40	854344	Tee 1/2" .....	1

**PRESSURELESS COOKER, MODEL VHX10G**

ILLUS.	PART NO.	NAME OF PART	AMT.
	<b>5283-1R5</b>		
41	851782	Close Nipple 1/2" .....	2
42	851781	Reducing Elbow 1/2" x 3/4" .....	1
43	854911	Cabinet Door Assembly .....	1
44	853339	Fill Solenoid .....	2
45	850008	Connector 3/8" C x 1/8" MPT .....	1
46	850009	Tee 3/8" C x 3/8" C x 1/8" MPT .....	1
47	854912	Elbow 3/8" C x 1/2" MPT .....	1
48	854913	Thermostatic Cooling Valve .....	1
*	854914	Cooling Valve Bracket .....	1
49	854915	Probe 2 inches .....	2
50	854916	Probe 2 1/2" inches .....	2
51	854917	Probe 3 inches .....	2
52	854470	Relief Valve 5 psi .....	2
53	850015	Water Fill - Bulk Head 3/8" C .....	2
54	854918	Gas Supply Pipe 3/4" x 9-13/16" .....	1
55	850131	Right Hand Side Panel .....	1
56	851389	Cord Set - 120V .....	1
**57	854919	Bottom Left, Flex Steam Tube, 18" .....	1
	854920	Bottom Right, Flex Steam Tube, 24" .....	1
	854921	Top, Flex Steam Tube, 48" .....	2
58	854922	Steam Manifold .....	4
59	854923	Elbow 3/4" C x 3/4" FPT .....	8
60	843811	Door Switch .....	2
	850077	Actuator Pin complete with Clip .....	2
61	854924	Flue Cover .....	1
62	843860	Pan Rack .....	4
63	854456	Front Riser .....	1
64	842932	Screw 10 - 32 x 1" Stainless Steel .....	6
65	854925	Screw 10 - 32 x 1/2" Plated .....	4
66	854926	Screw 1/4 - 20 x 1/2" Stainless Steel .....	2
67	850073	Screw 10 - 32 x 1/2" Stainless Steel .....	28
68	851759	Rack Hanger Assembly .....	8
*69	854927	Drain Assembly .....	1
*70	853326	Connector - Drain 3/4" C x 3/4" MPT .....	4
*71	850444	Union Elbow 3/4" - Drain .....	2
72	854928	Burner Shield .....	2
73	843831	Top Panel .....	1
74	843860	Pan Rack, 5 Pan .....	4
75	854929	Steam Diverters .....	8
76	840495	Perforated Trough .....	1
77	854930	Generator Tank .....	2
78	854339	Street Elbow 1/2" - 90° .....	1
79	854931	High Limit Sensor Cover .....	1
80	854932	Connector, 3/8" C x 1/2" MPT .....	1
81	851220-5	6" Flange Leg .....	4
82	851794-2	Rear Caster, 6" High W/O Brake .....	2
83	851794-1	Front Caster, 6" High W/ Brake .....	2

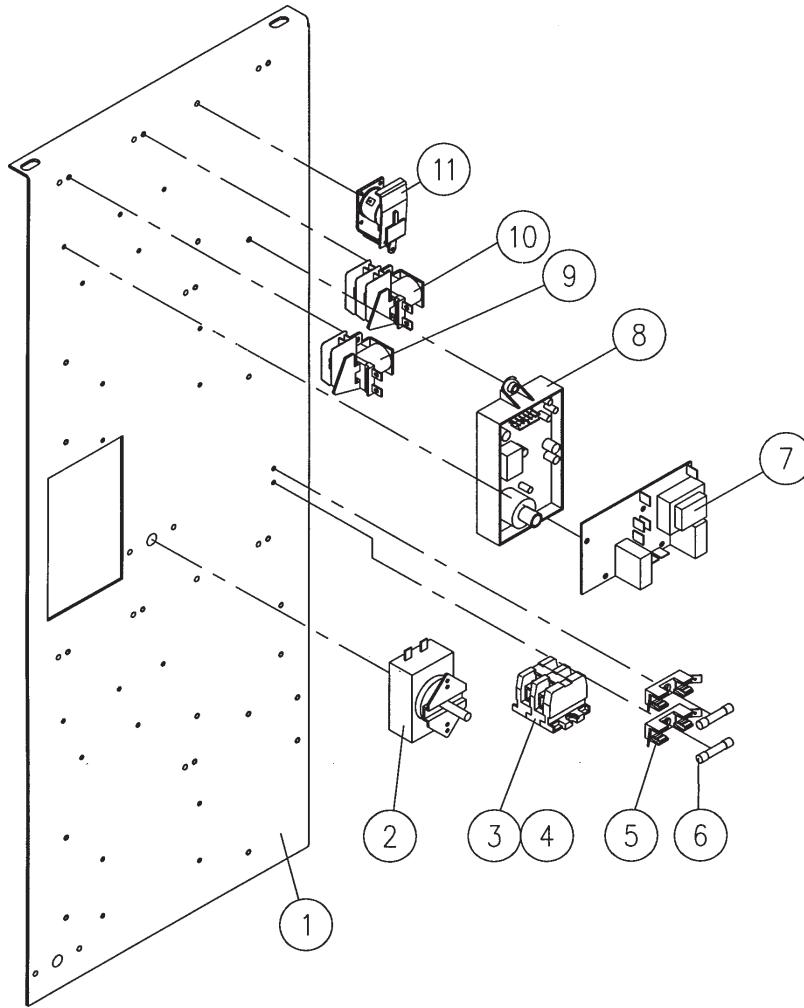
\* NOT SHOWN  
 \*\* SELECT AS REQUIRED



**DOOR ASSEMBLY**

ILLUS.	PART NO.	NAME OF PART	AMT.
5283-2R0			
1	845586	Door Frame (2840) .....	1
2	844193	Door Handle Assembly (3903) .....	1
*	850193	Decal .....	1
3	844194	Latch Assembly (3900) .....	1
4	850447	Spacer .....	2
5	840479	Door Bushing .....	4
6	851418	Gasket Plate (2842) .....	1
7	844385	Gasket (2669) .....	1
8	845588	Door Panel .....	1
9	844453	Screw 10 - 32 x 1/2" .....	8
10	850073	Screw 10 - 32 x 1/2", Stainless Steel .....	6

\* NOT SHOWN



5283-3R2

**CONTROL PANEL**

ILLUS.	PART NO.	NAME OF PART	AMT.
5283-3R2			
1	854933	Component Mounting Board .....	1
2	881973	Operating Thermostat .....	2
3	840511	Terminal Block .....	2
4	843969	End Section .....	1
**5	853957	Fuse Holder, 120V .....	2
	854934	Fuse Holder, 208V - 240V .....	4
**6	853974	Fuse, 2 Amp., 120V .....	2
	851929	Fuse, 1 Amp., 208V - 240V .....	4
7	852984	Level Control Board .....	2
8	855096	Ignition Module .....	2
9	851071	Relay 120V Double Pole .....	2
10	844497	Relay 120V Single Pole .....	2
11	851062	Buzzer .....	2
*12	854935	Transformer, 204V - 240V .....	2

\* NOT SHOWN

\*\* SELECT AS REQUIRED

