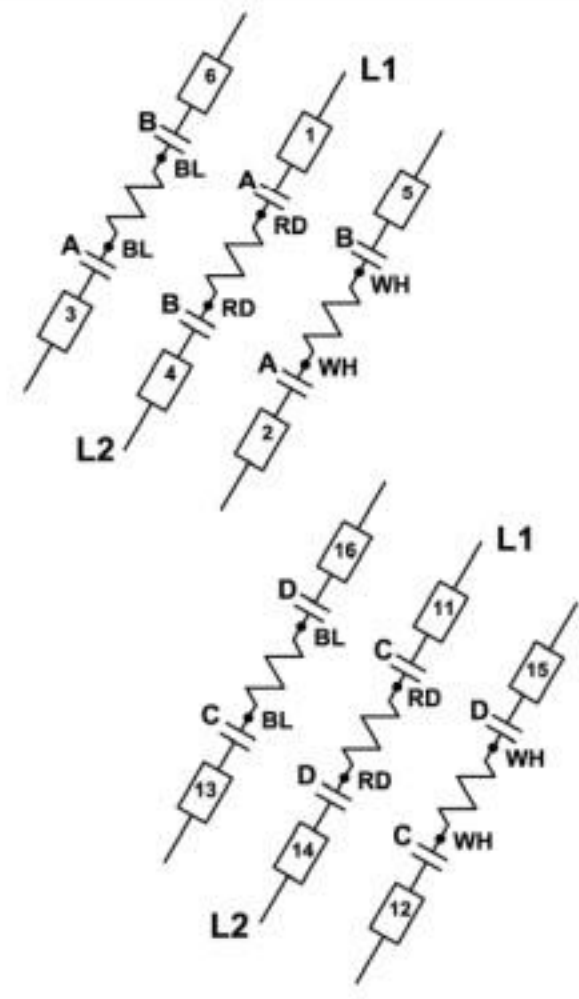
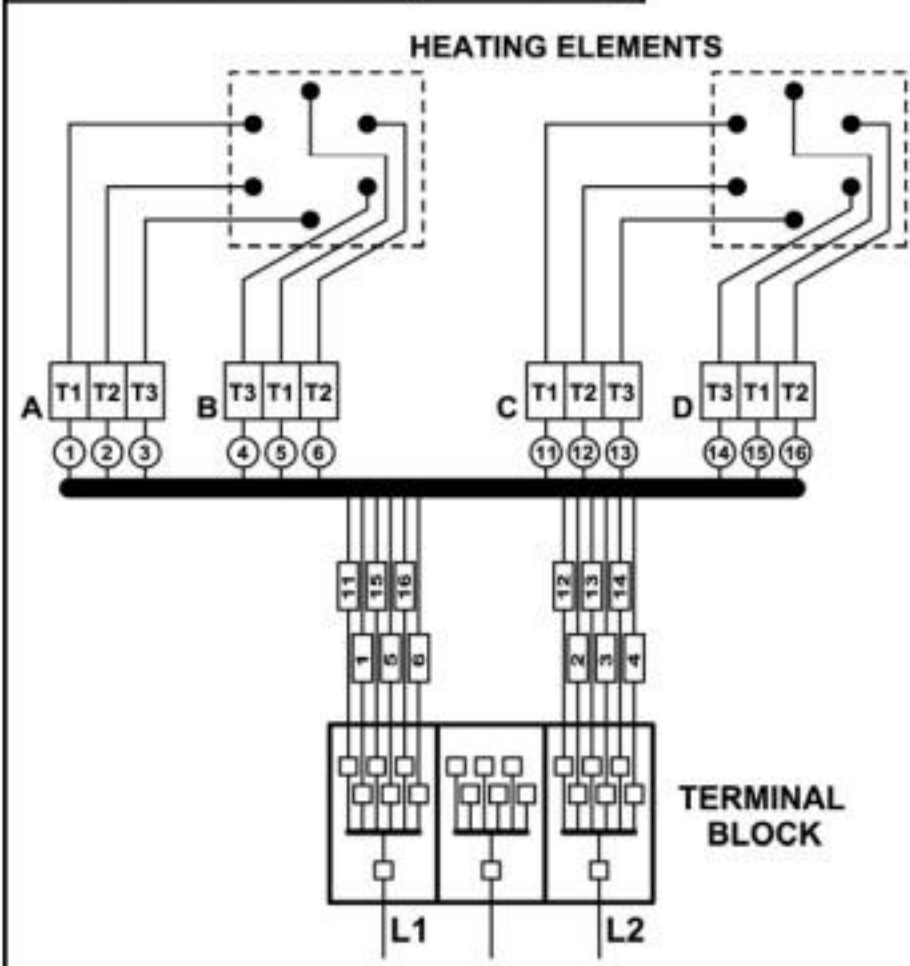
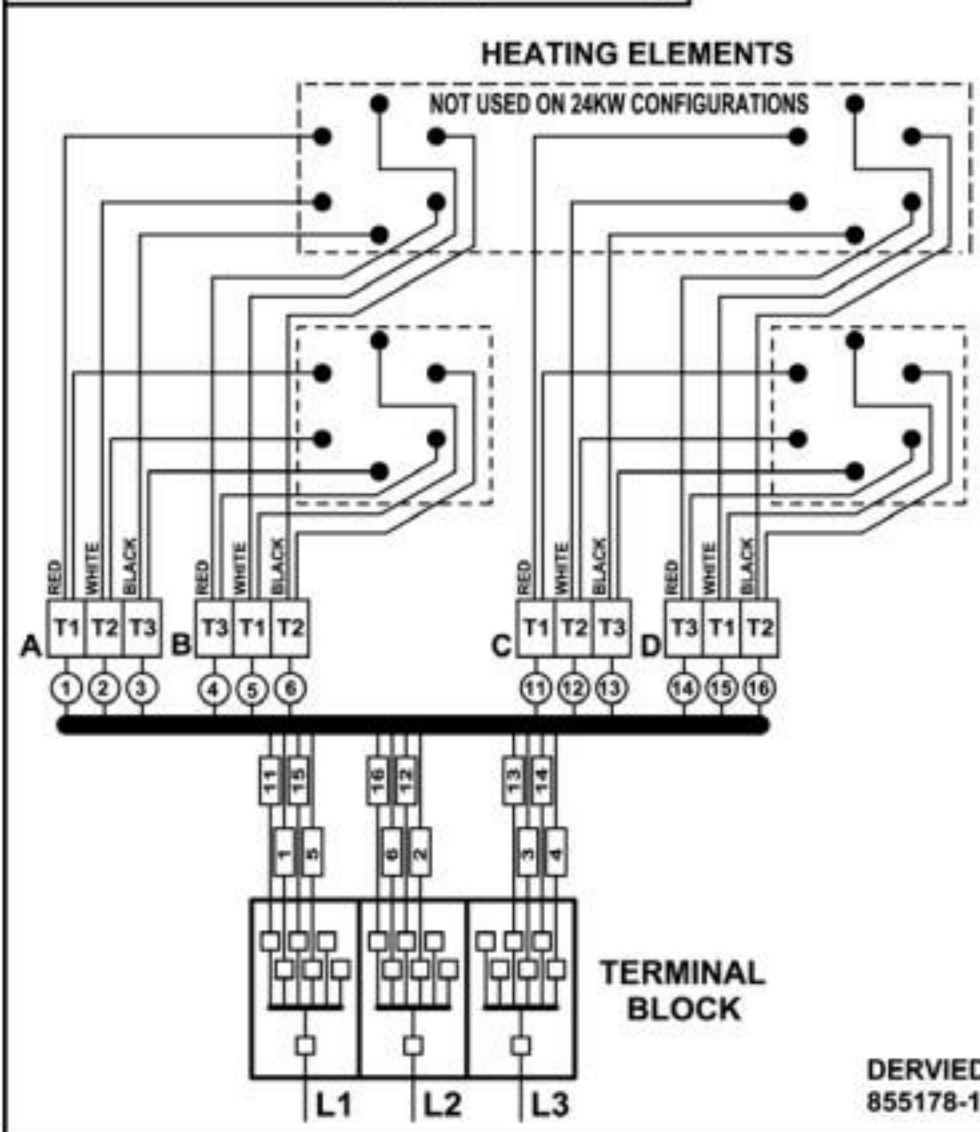


DERIVED FROM 3E-12003 REV. 1

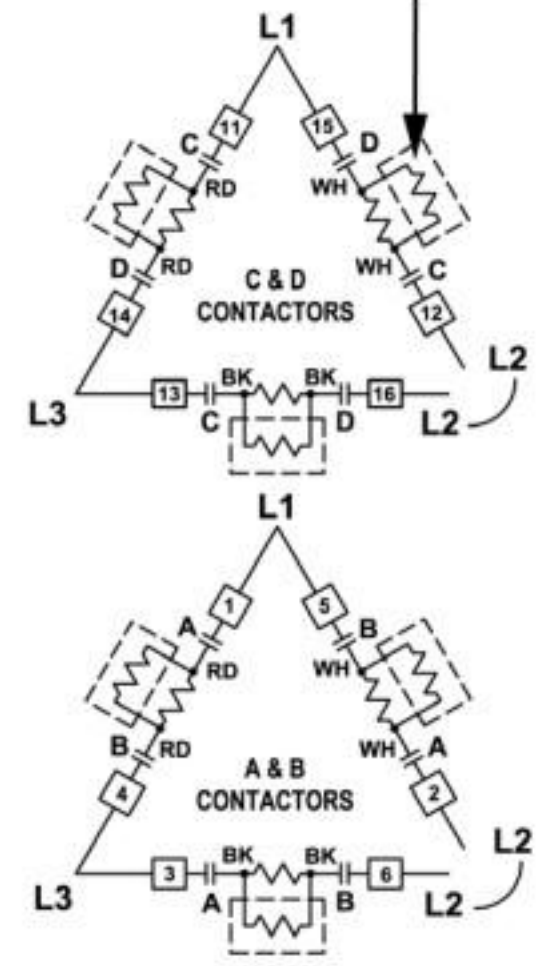
1 PHASE CONNECTIONS (24KW ONLY)



3 PHASE CONNECTIONS (24, 36, 42 & 48 KW)



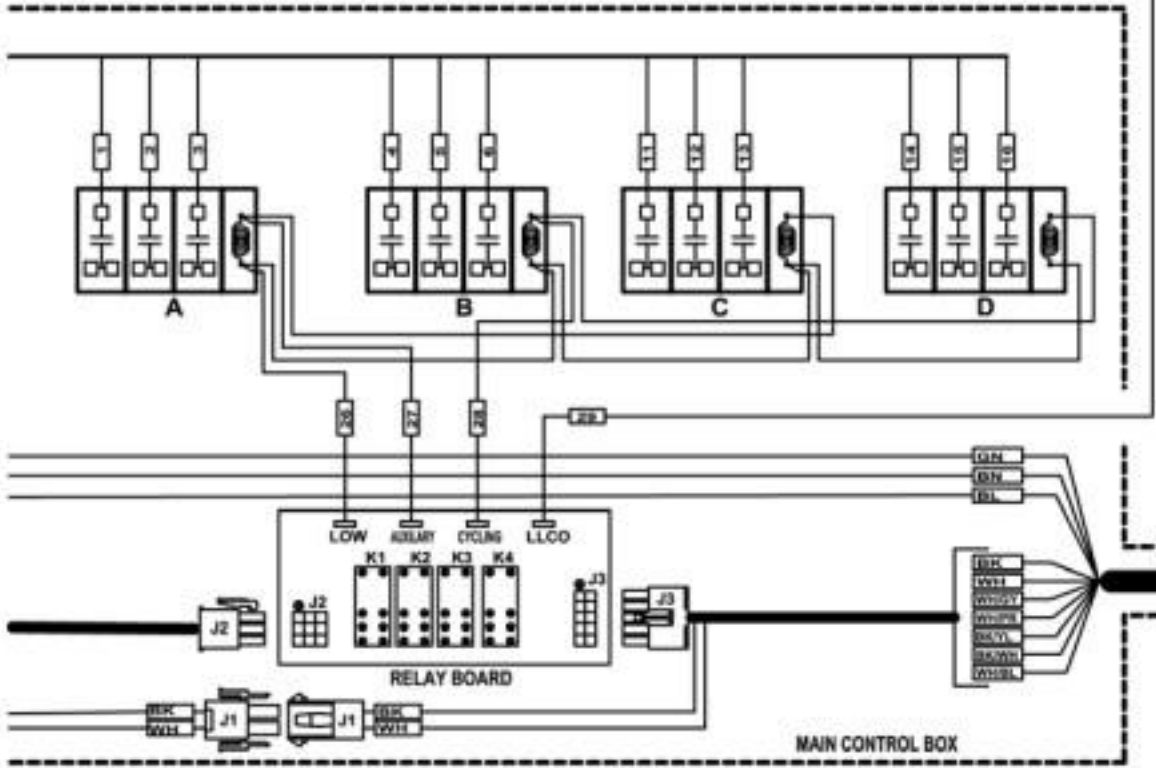
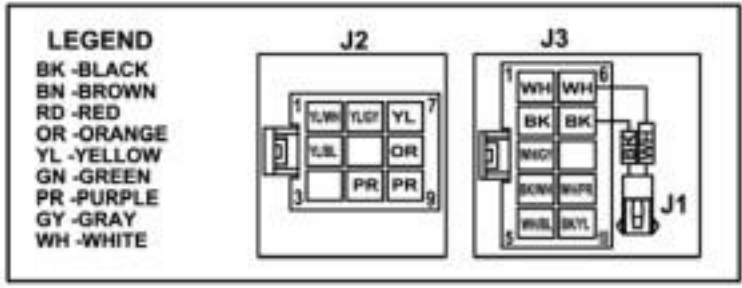
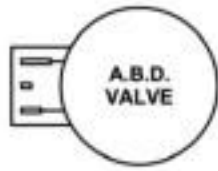
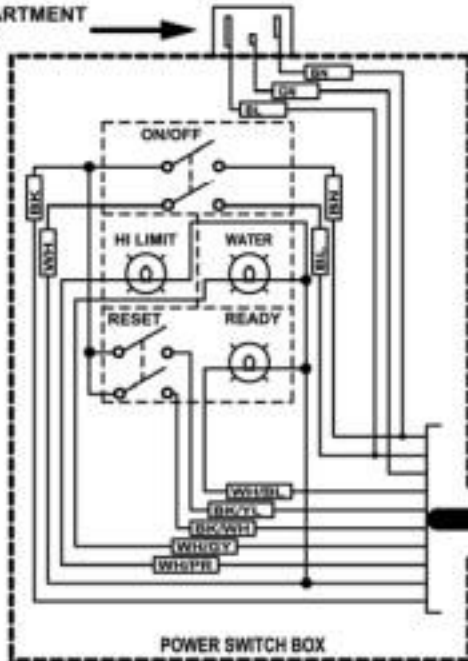
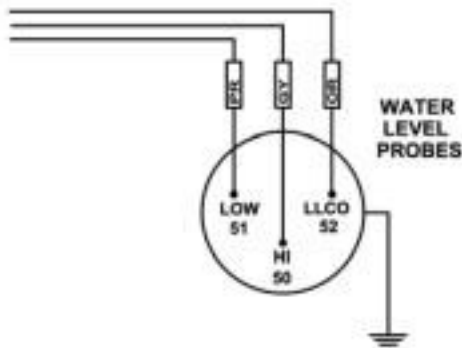
ON 24KW CONFIGURATIONS ONLY, TWO HEATING ELEMENTS ARE NOT USED (3 INDIVIDUAL ELEMENTS PER HEATER)

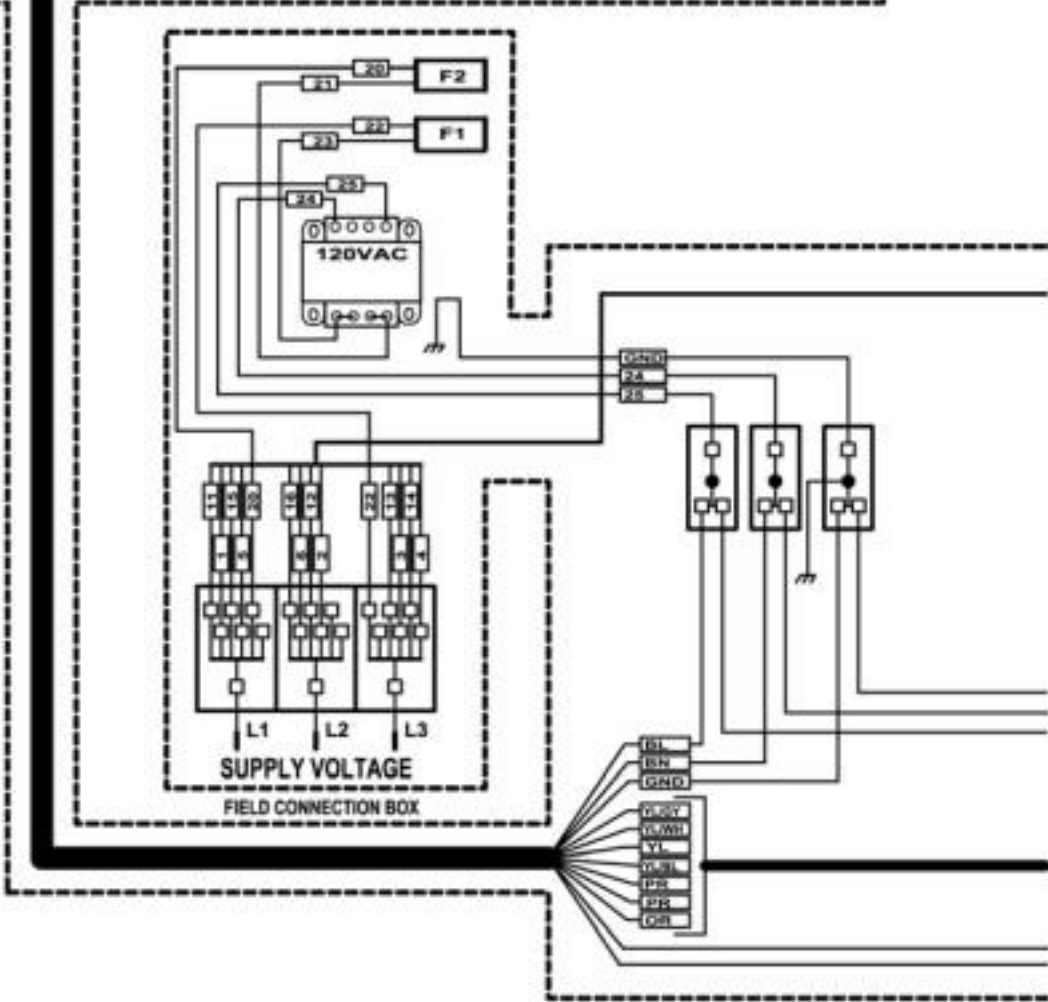
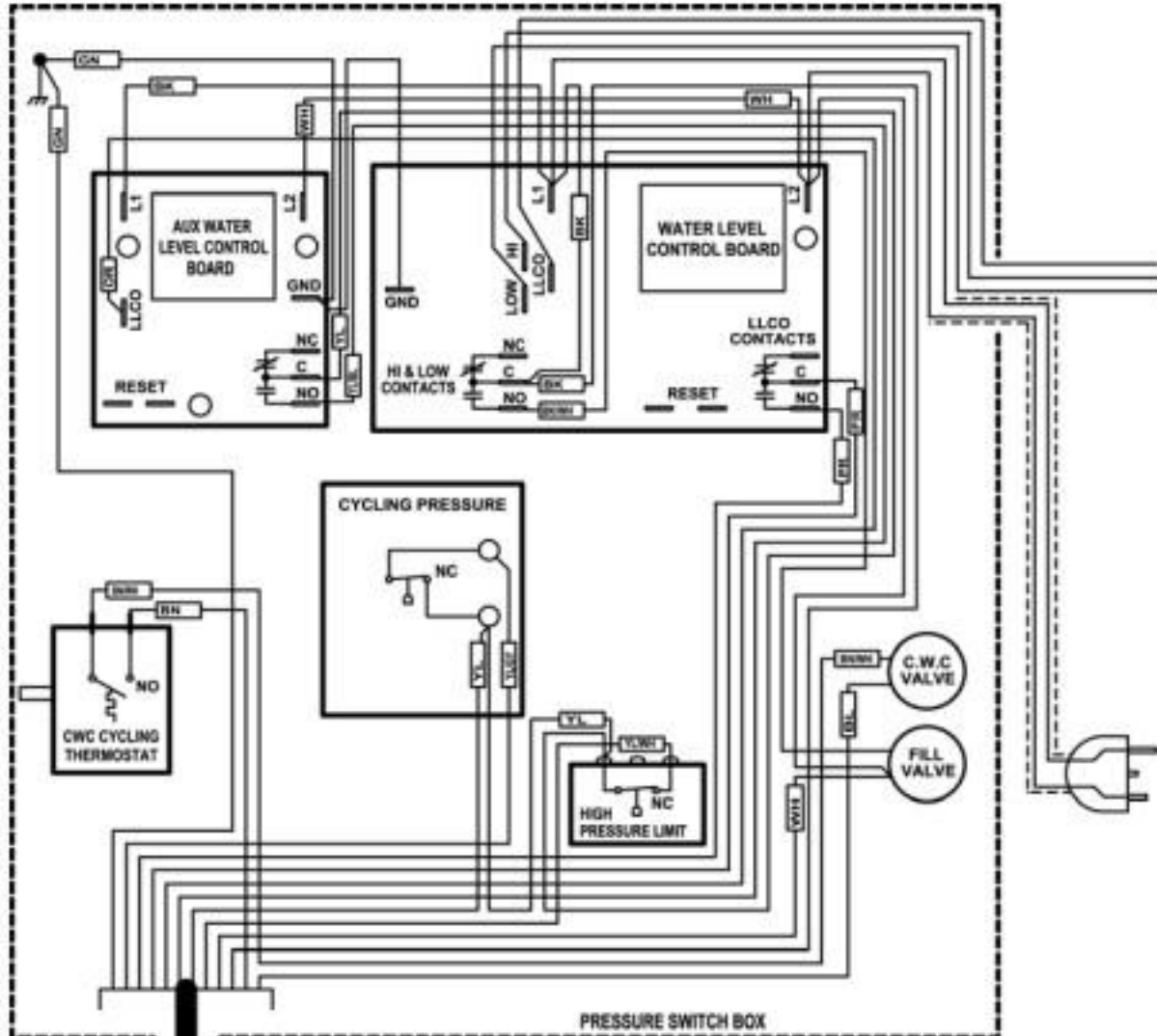


DERIVED FROM:
855178-1 (REV B)

VHX24E, VHX24E5 & MHB24E
HEATING ELEMENT CIRCUITS
208/240/480V - 1 & 3 PHASE POWER **AI1388**

TO COOKING COMPARTMENT CONTROLS





L1

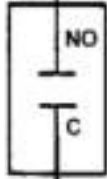
L2

120VAC
(FROM BOILER)

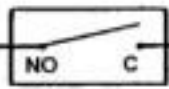


TIMER CHART

OFF	"0" TIME	ON
1-4 open	1-4 closed	1-4 open
1-3 open	1-3 open	1-3 closed



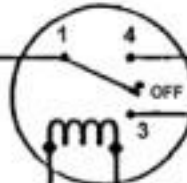
Pressure Switch



Door Switch

LOWER COMPARTMENT

Cook Timer



Buzzer



Cook Light

Ready Light

Steam Solenoid Valve (NC)

UPPER COMPARTMENT

Cook Timer



Buzzer



Cook Light

Ready Light

Steam Solenoid Valve (NC)

