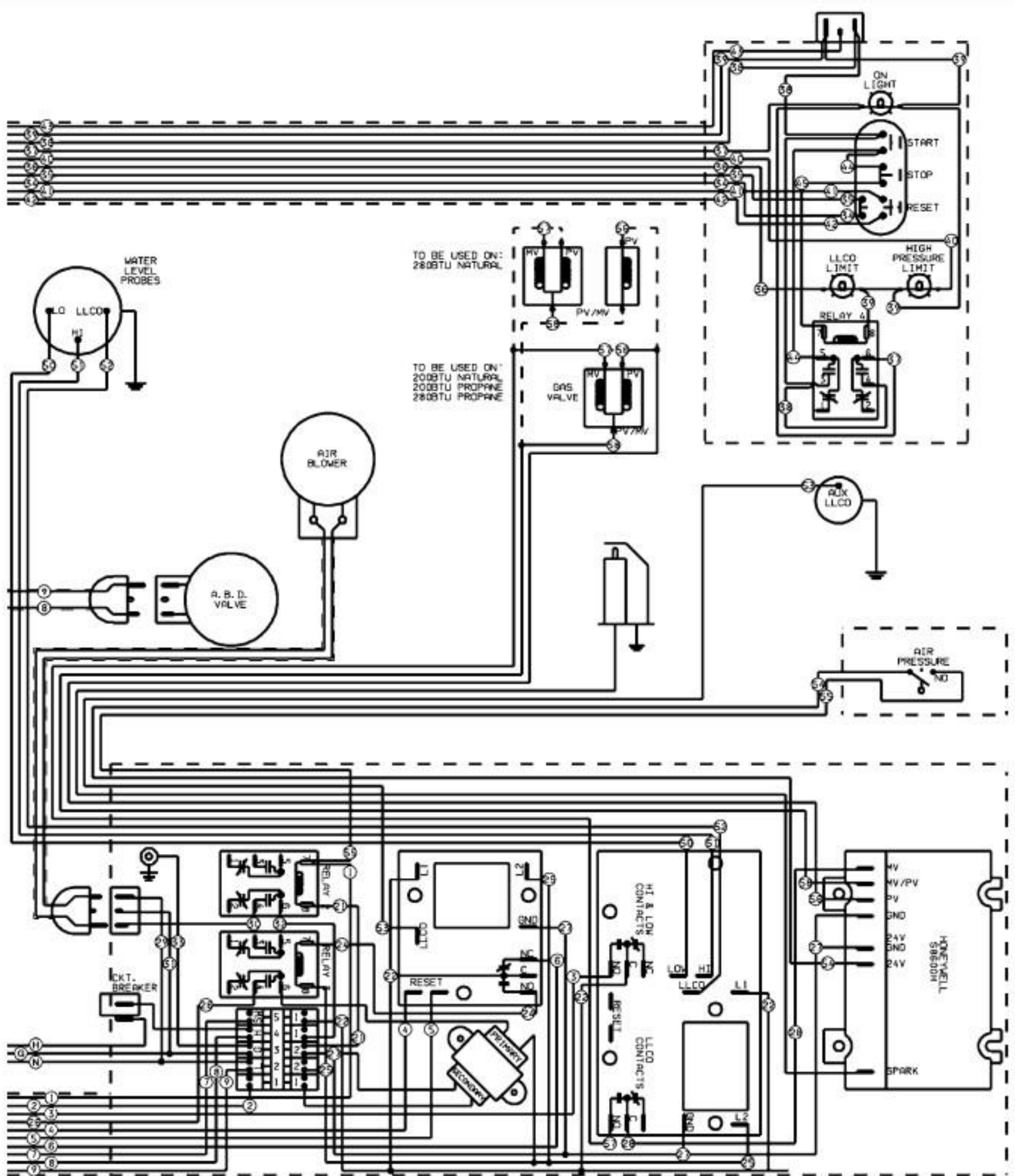
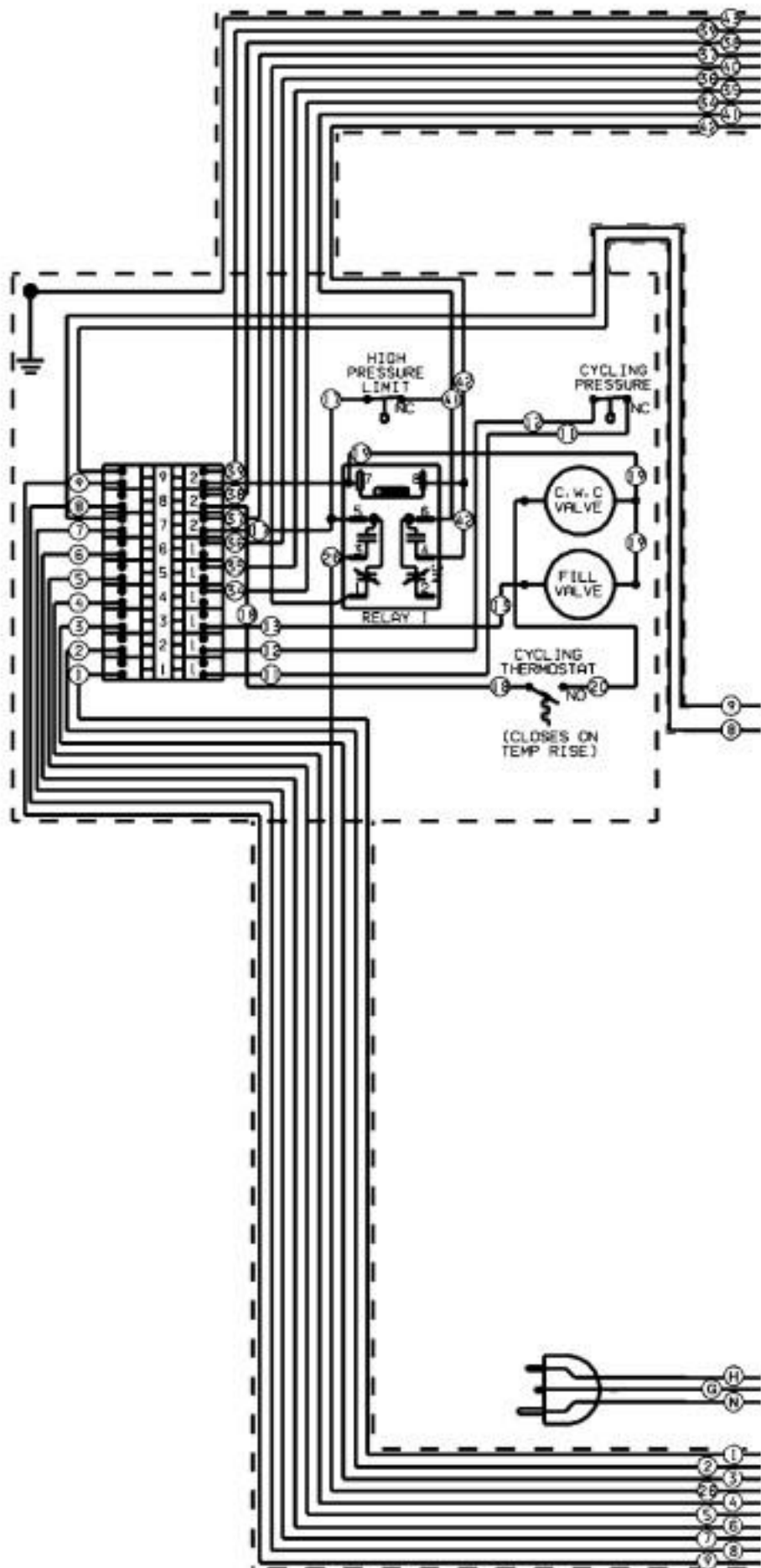
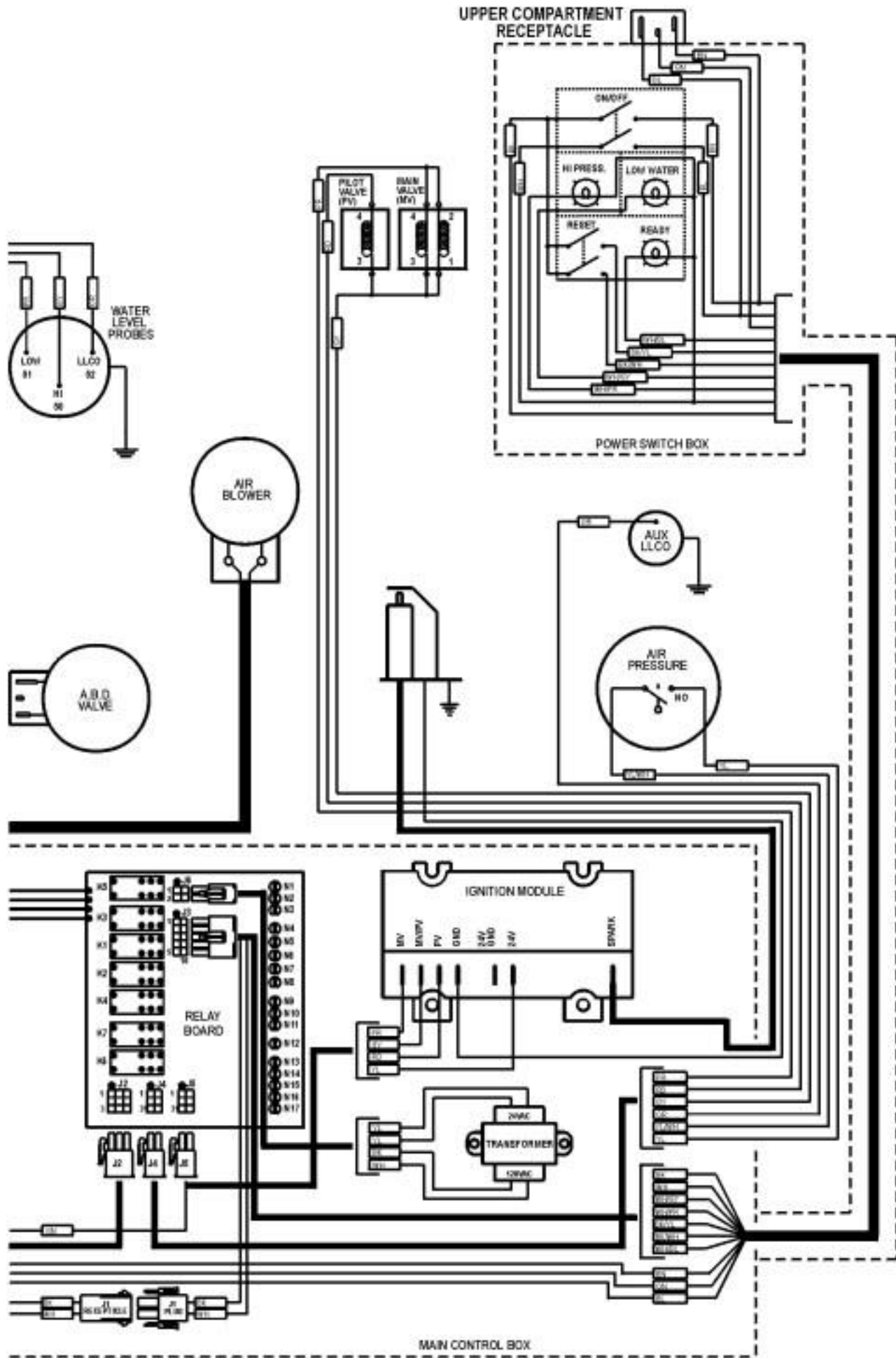


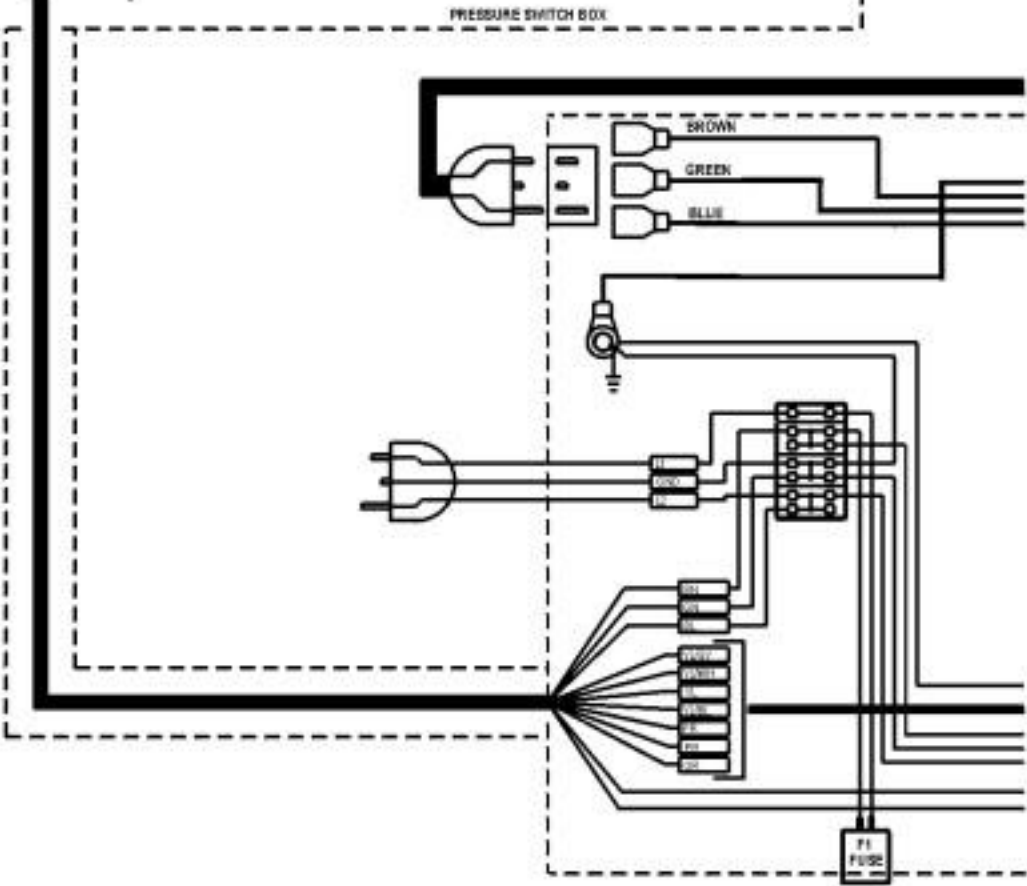
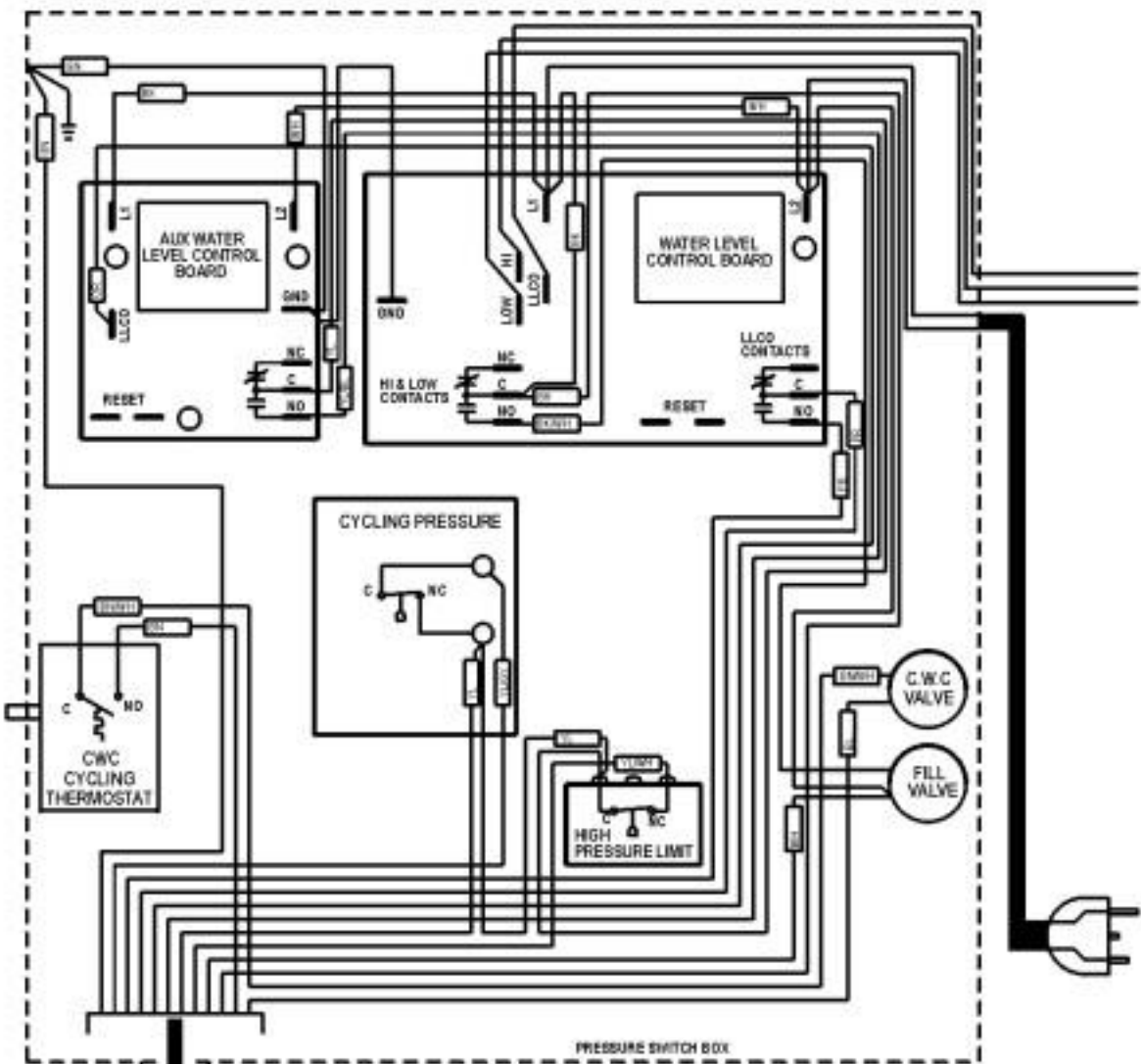
DERIVED FROM 3E-12003 REV.

VHX24G SERIES - COMPARTMENT CONTROLS









032 REV C
 (MATIC DIA.)
 A. TSP1480

L1

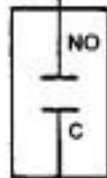
L2

120VAC
(FROM BOILER)

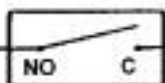


TIMER CHART

OFF	"0" TIME	ON
1-4 open	1-4 closed	1-4 open
1-3 open	1-3 open	1-3 closed



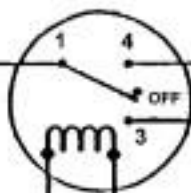
Pressure Switch



Door Switch

LOWER COMPARTMENT

Cook Timer



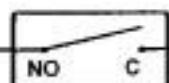
Buzzer



Cook Light

Ready Light

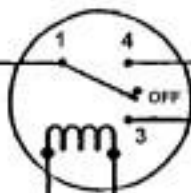
Steam Solenoid Valve (NC)



Door Switch

UPPER COMPARTMENT

Cook Timer



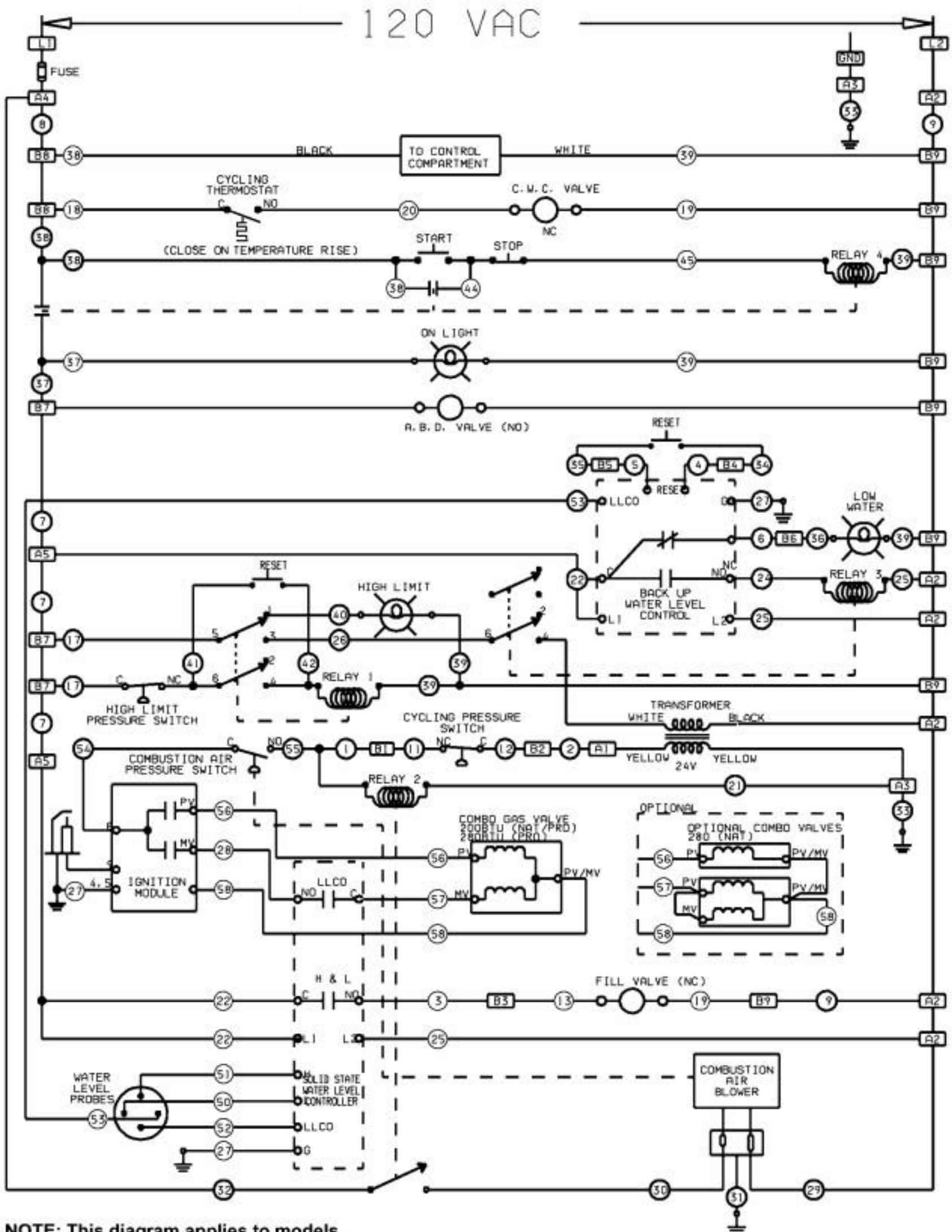
Buzzer



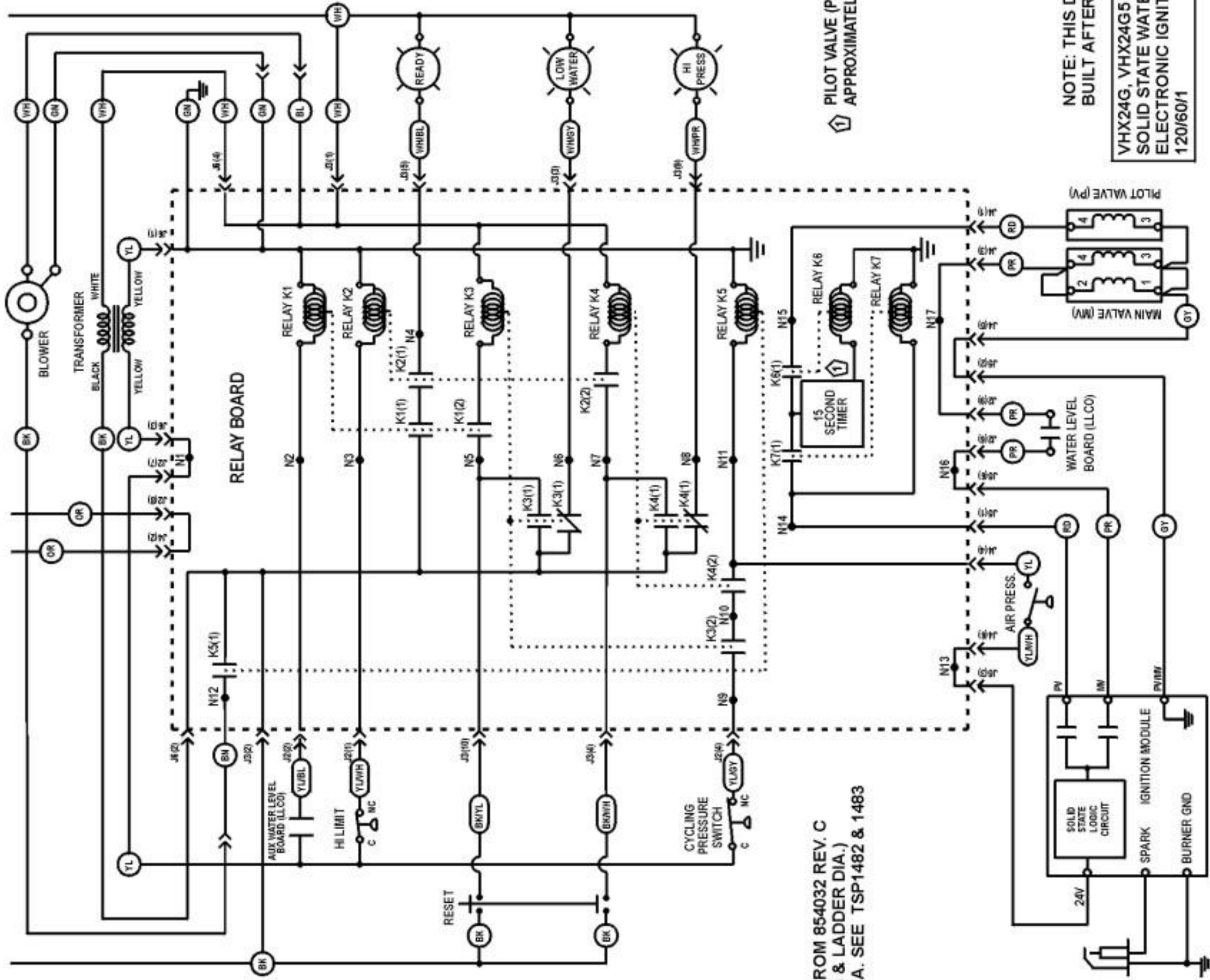
Cook Light

Ready Light

Steam Solenoid Valve (NC)



NOTE: This diagram applies to models built before 5/25/99 (Old Style Controls)



FROM 854032 REV. C
 WIRING & LADDER DIA.)
 DIA. SEE TSP1482 & 1483

PILOT VALVE (PV)
 APPROXIMATELY

NOTE: THIS DIAGRAM
 BUILT AFTER 5/12/60
 VHX24G, VHX24G5 &
 SOLID STATE WATER
 ELECTRONIC IGNITION
 120/60/1

