



# CATALOG OF REPLACEMENT PARTS

## BOILER BASE STEAMER

### MODELS

VHX24G	ML-114795	VHL2E	ML-126855
VHX24G5	ML-126590	VHL3E	ML-126856
VHL2G	ML-126323	MHB24E	ML-126857
VHL3G	ML-126324	VHX24D	ML-126862
MHB24G	ML-114954	VHX24D5	ML-126863
VHX24E	ML-126852	VHL2D	ML-126858
VHX24E5	ML-126853	VHL3D	ML-126859

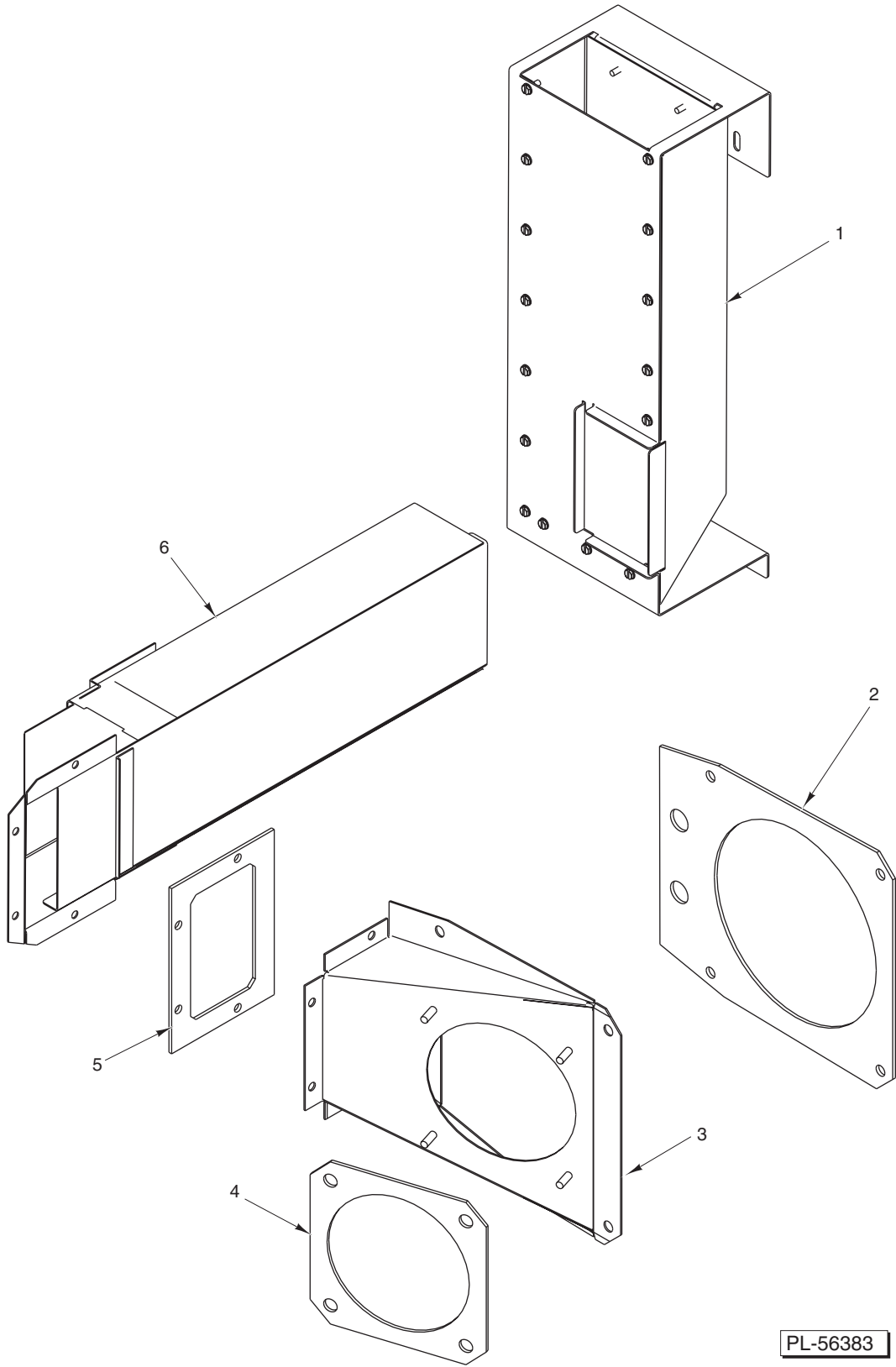


For additional information on Vulcan-Hart Company or to locate an authorized parts and service provider in your area, visit our website at [www.vulcanhart.com](http://www.vulcanhart.com)



**Table of Contents**

<b>Page</b>	<b>Description</b>
5	Flue Assembly (VHX and VHL Gas Units)
7	Boiler Pressure Switch Assembly (VHX, VHL, and MHB Gas and Electric)
9	Burner Assembly (VHX, VHL, and MHB Gas Units)
11	Boiler Control Panel (VHX, VHL, and MHB Gas and Electric)
13	Main Control Box – Gas (VHX, VHL, and MHB Gas Units)
15	Main Control Box (VHX, VHL, and MHB Electric Units)
17	Gas Plumbing Assembly (VHX, VHL, and MHB Gas Units)
19	Boiler Assembly (VHX, VHL, and MHB Gas Units)
21	Boiler Plumbing Components
23	VHX Series Pressureless Cooker (6 Pan Unit)
25	VHX Series Pressureless Cooker (10 Pan Unit)
27	VHL Series Steamer Compartment Door
29	VHL Series Control Panel – Auto Deluxe, Pre-Vent Controls
31	VHL Series Compartment Controls – Manual
33	VHL Series Compartment Controls – Standard Auto
35	VHL Series Compartment Controls – Pre-Vent
37	Field Terminal Box (Electric Units)
39	Condensor Box
41	Water Inlet Plumbing
43	Steam Header

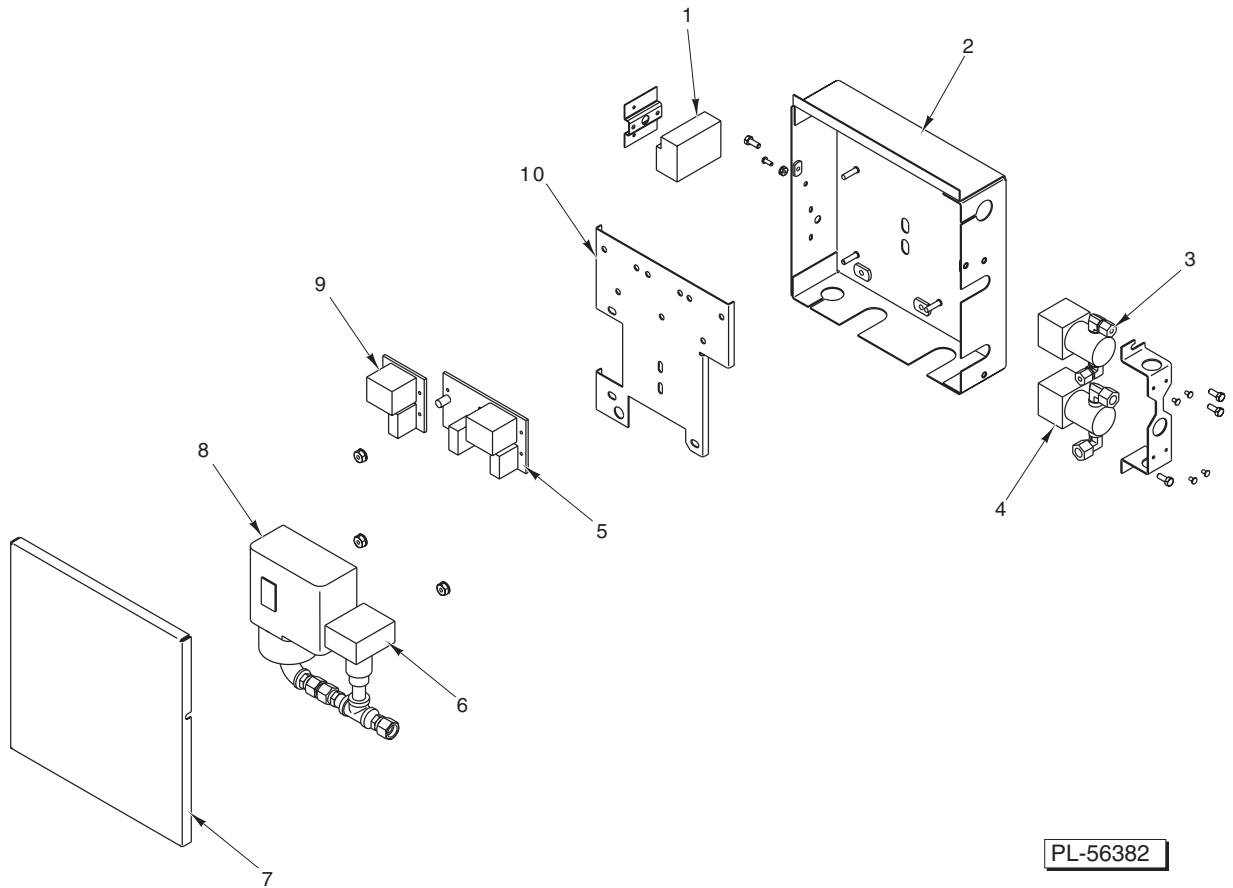


PL-56383

**FLUE ASSEMBLY  
(VHX AND VHL GAS UNITS)**

**FLUE ASSEMBLY  
(VHX AND VHL GAS UNITS)**

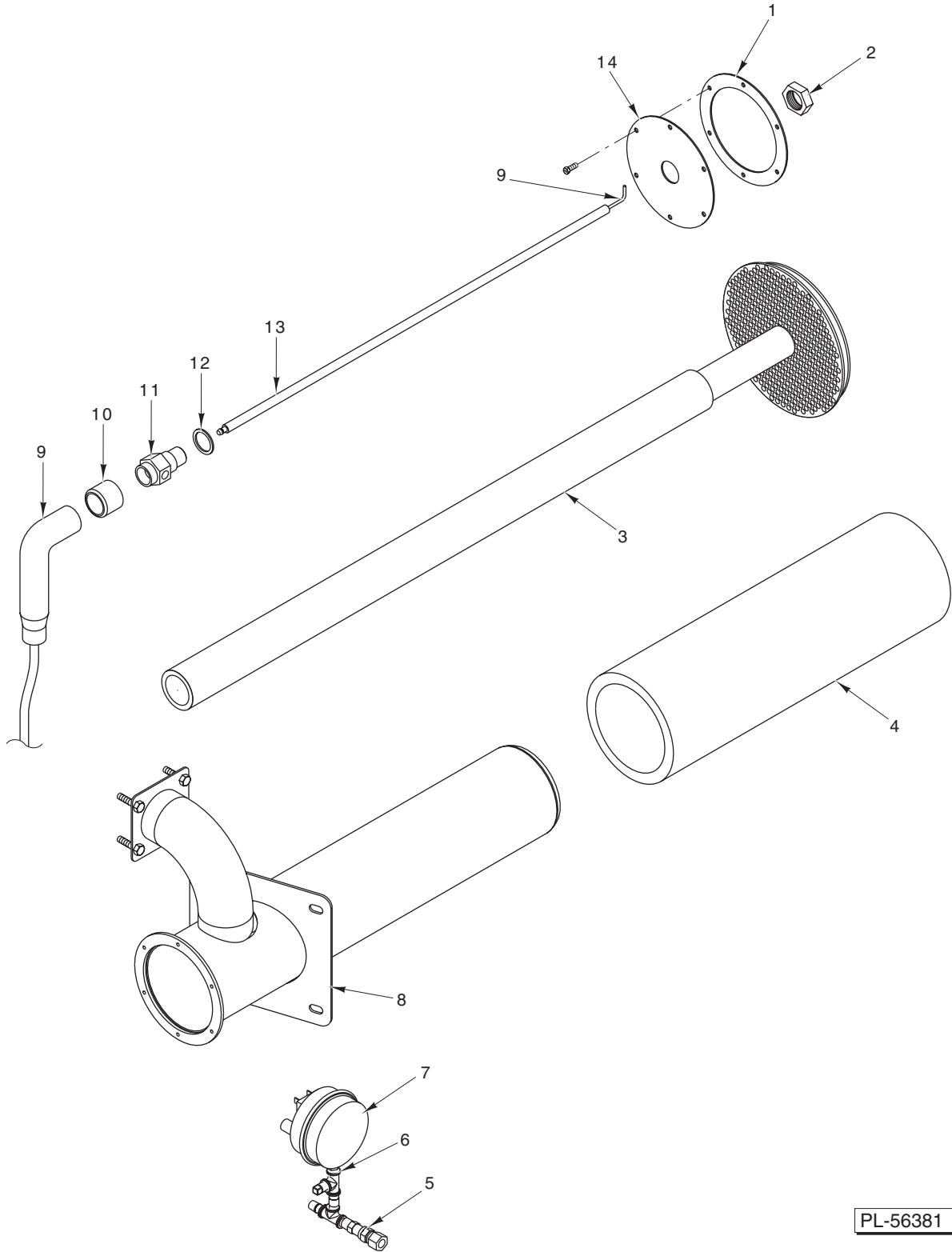
ILLUS.	PART NO.	NAME OF PART	AMT.
PL-56383			
1	00-850796-00001	Flue Assy. – Vertical .....	1
2	00-850738-00001	Gasket – Flue Housing .....	1
3	00-850783-00001	Housing Weldment .....	1
4	00-850775-00001	Gasket – Burner Flange .....	1
5	00-850739-00001	Gasket – Flue .....	1
6	00-850787-00001	Flue Weldment – Horizontal .....	1



**BOILER PRESSURE SWITCH ASSEMBLY  
(VHX, VHL, AND MHB GAS AND ELECTRIC)**

**BOILER PRESSURE SWITCH ASSEMBLY  
(VHX, VHL, AND MHB GAS AND ELECTRIC)**

ILLUS.	PART NO.	NAME OF PART	AMT.
PL-56382			
1	00-844062-00001	Thermostat – Condenser Box .....	1
2	00-853204-00001	Box – Pressure Switch .....	1
3	00-817222	Valve – Cold Water Condenser .....	2
4	00-817222	Valve – Boiler Fill .....	1
5	00-844069-00001	Control – Low Water .....	1
6	00-851578-00001	Switch – High Pressure Limit .....	1
7	00-853266-00001	Lid – Pressure Switch .....	1
8	00-833488	Switch – Pressure Limit .....	1
9	00-844070-00001	Aux. Water Level Control .....	1
10	00-853207-00001	Panel – Pressure Switch .....	1

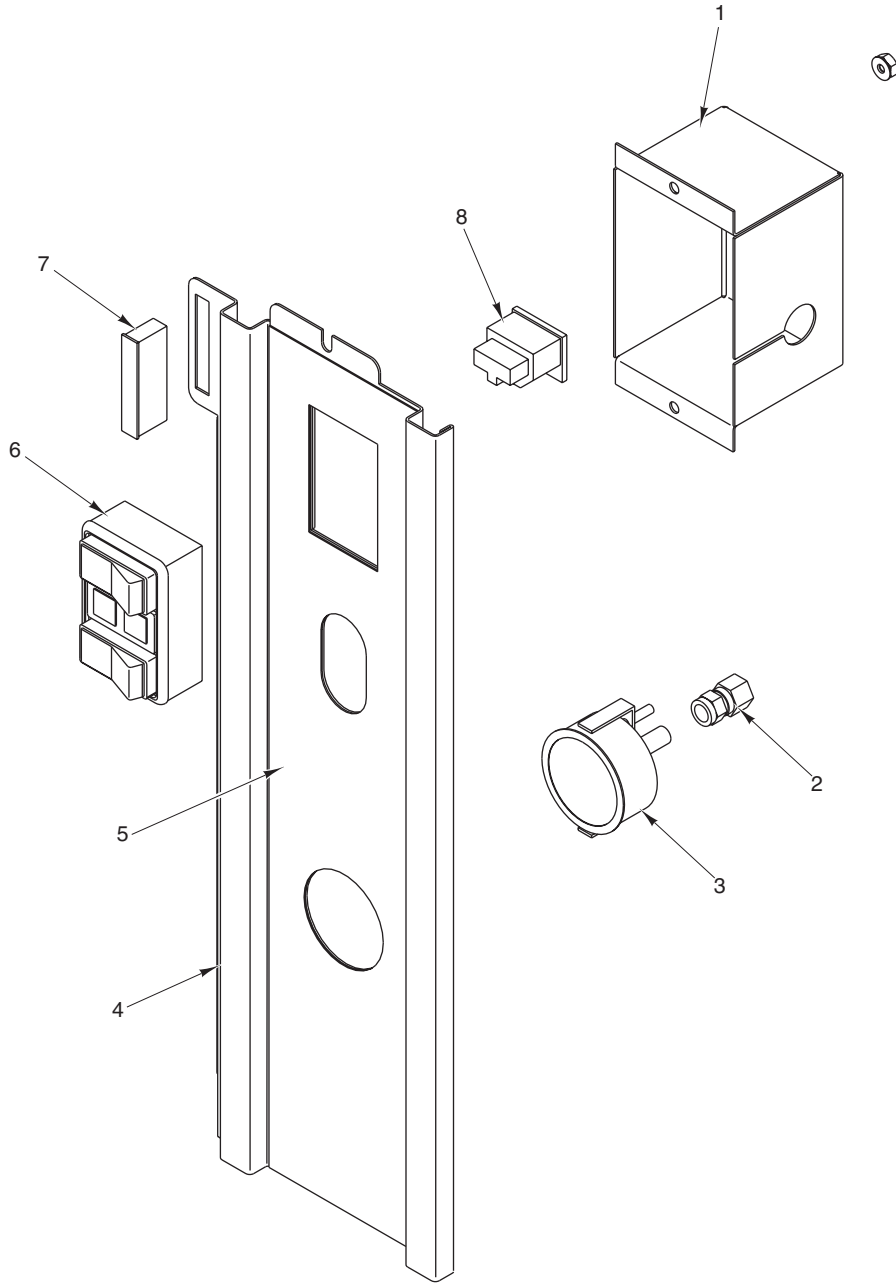


PL-56381

**BURNER ASSEMBLY  
(VHX, VHL, AND MHB GAS UNITS)**

**BURNER ASSEMBLY  
(VHX, VHL, AND MHB GAS UNITS)**

ILLUS.	PART NO.	NAME OF PART	AMT.
PL-56381			
1	00-851311-00001	Gasket – Air Tube End Plate .....	1
2	00-851843-00001	Nut – Ignitor Bushing .....	1
3	00-853994-00001	Burner – Press Fit Tube Assy. ....	1
4	00-850733-00001	Sleeve – Ceramic .....	1
5	00-854017-00001	Orifice – Pilot LP/NAT Gas .....	1
6	00-851833-00001	Orifice – Air .....	1
7	00-850778-00001	Switch – Air Pressure .....	1
8	00-851718-00001	Burner Tube Wldmt. ....	1
9	00-844130-00003	Cable – Ignitor 18 In. Lg. ....	1
10	FE-015-10	Fitting – Conduit .....	1
11	00-853991-00001	Bushing – Ignitor .....	1
12	00-851846-00001	Gasket – Ignitor Bushing .....	1
13	00-853582-00001	Ignitor – Sensor .....	1
14	00-850760-00001	Endplate – Burner Tube .....	1

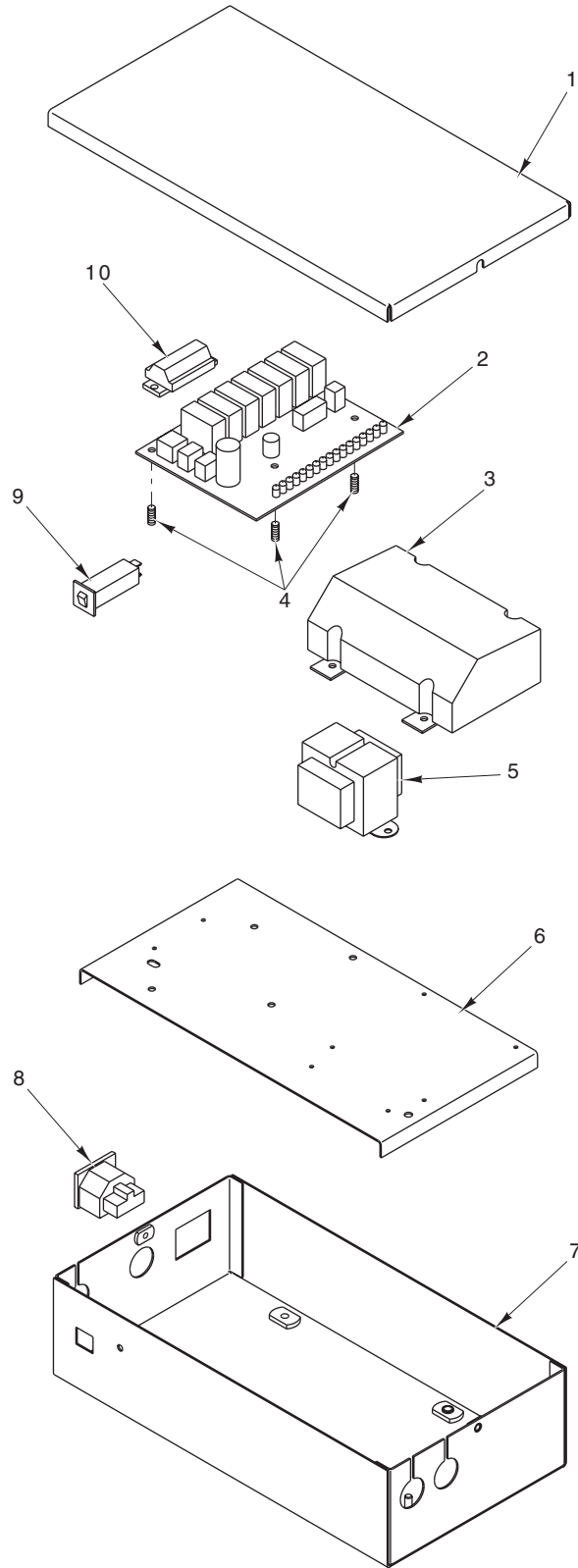


PL-56380

**BOILER CONTROL PANEL  
(VHX, VHL, AND MHB GAS AND ELECTRIC)**

**BOILER CONTROL PANEL  
(VHX, VHL, AND MHB GAS AND ELECTRIC)**

ILLUS.	PART NO.	NAME OF PART	AMT.
PL-56380			
1	00-853559-00001	Cover – Light & Switch .....	1
2	FP-087-85	Fitting – Tube 3/8 (Brass) .....	1
3	00-833152	Gauge – Pressure .....	1
4	00-853331-00001	Panel – Control Wldmt. ....	1
5	00-853324-00001	Panel – Overlay .....	1
6	00-853275-00001	Switch Assy. ....	1
7	00-881761	Catch – Magnetic .....	1
8	00-851532-00001	Receptacle – Snap-In .....	1



PL-56379

**MAIN CONTROL BOX – GAS  
(VHX, VHL, AND MHB GAS UNITS)**

**MAIN CONTROL BOX – GAS  
(VHX, VHL, AND MHB GAS UNITS)**

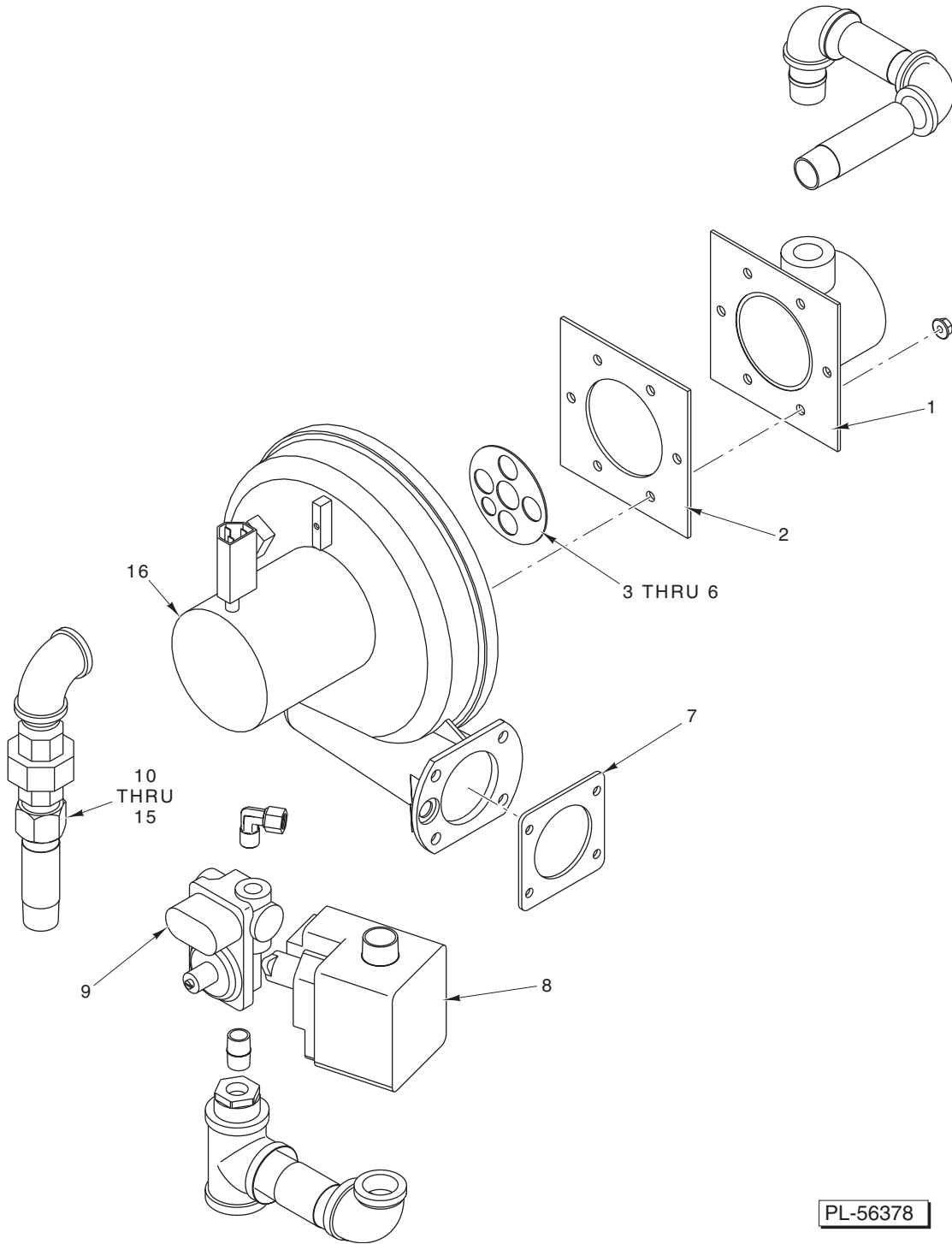
ILLUS.	PART NO.	NAME OF PART	AMT.
PL-56379			
1	00-853218-00001	Lid – Main Control Panel .....	1
2	00-853273-00001	Board – Relay .....	1
3	00-417980-00001	Module – Ignitor .....	1
4	00-854236-00001	Support – PC Lock-In .....	4
5	00-411500-00012	Transformer .....	1
6	00-853217-00001	Panel – Main Control .....	1
7	00-853215-00001	Box – Main Control Panel .....	1
8	00-851532-00001	Receptacle – Snap-In .....	1
9	00-852081-00001	Circuit Breaker (5 Amp.) Slow Blow .....	1
10	00-851530-00003	Terminal Block (4 Pos.) .....	1



**MAIN CONTROL BOX  
(VHX, VHL, AND MHB ELECTRIC UNITS)**

ILLUS. PL-56703	PART NO.	NAME OF PART	AMT.
1	FE-024-24	Plug – Button 1/2 In. ....	1
2	FE-007-03	Connector – Conduit 3/8 TS 90 Deg. ....	1
3	00-854479-00001	Bracket Wldt. – Main Control Box ....	1
4	00-854838-00001	Rail – DIN 35 Slotted ....	1
5	SC-067-06	Mach. Screw 10-24 x 1/2 Hex Hd. (SST) ....	2
6	00-881654	Contact – 50A DIN Mount ....	4
7	FE-007-01	Connector – Conduit 3/8 In. Straight ....	1
8	FE-015-19	Connector – Conduit 1 1/2 TS 90 Deg. (SST) ....	1
9	00-855005-00001	Block Assy. – Ground ....	1
10	00-854837-00001	Block Assy. – Terminal ....	2
11	00-854236-00001	Standoff – Dual Locking 0.156/0.187 ....	4
12	00-855223-00001	Board Assy. – Relay ....	1
13	00-855225-00001	Relay DPDT ....	4
14	00-854477-00001	Lid – Main Control Box ....	1
15	SC-067-06	Mach. Screw 10-24 x 1/2 Hex Hd. (SST) ....	2
16	NS-015-01	Nut 1/4-20 Hex (SST) ....	6
17	WS-017-09	Washer (SST) ....	6
18	00-854478-00001	Element Cover – Main Control Box Wldt. ....	1
19	NS-015-11	Nut 5/16-18 Hex (SST) ....	16
20	WS-005-32	Washer (SST) ....	16
21	00-880401	Gasket – Coil ....	AR
22	-	Heater Element ....	See Chart

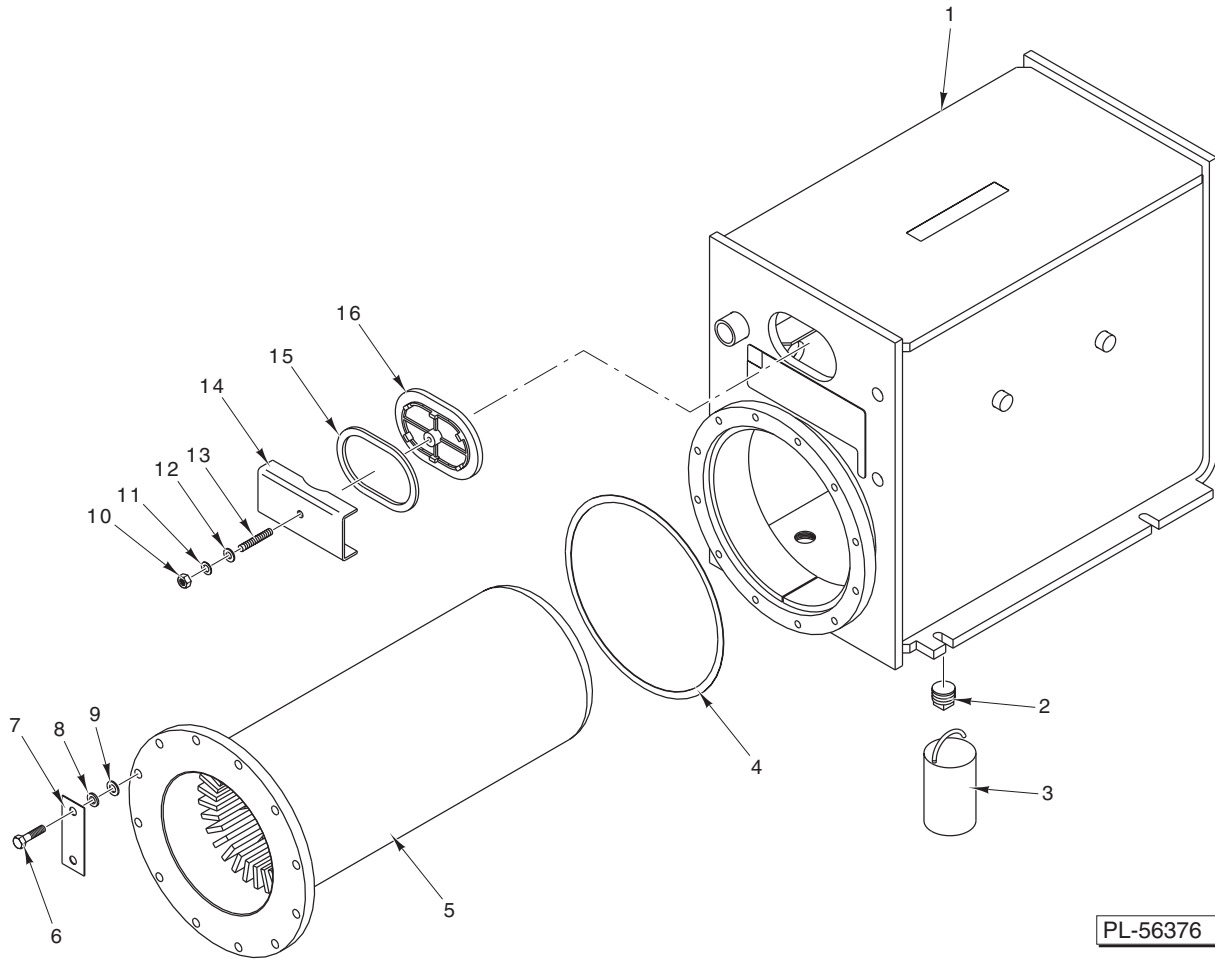
HEATER ELEMENT - ITEM 20				
	24KW-(2) 12KW	36KW-(4) 9KW	42KW-(4) 10.5KW	48KW-(4) 12KW
208 V./3 Ph.	66.6A (2) 00-855051-00005	99.9A (4) 00-855051-00001	116.6A (4) 00-855051-00004	---
208 V./1 Ph.	115.4A (2) 00-855051-00005	---	---	---
240 V./3 Ph.	57.7A (2) 00-855051-00006	86.6A (4) 00-855051-00002	---	115.5A (4) 00-855051-00006
240 V./1 Ph.	100A (2) 00-855051-00006	---	---	---
480 V./3 Ph.	28.9A (2) 00-855051-00007	43.3A (4) 00-855051-00003	---	57.7A (4) 00-855051-00007



**GAS PLUMBING ASSEMBLY  
(VHX, VHL, AND MHB GAS UNITS)**

**GAS PLUMBING ASSEMBLY  
(VHX, VHL, AND MHB GAS UNITS)**

ILLUS.	PART NO.	NAME OF PART	AMT.
	PL-56378		
1	00-851625-00001	Blower – Inlet Weldment .....	1
2	00-851631-00001	Gasket – Blower Inlet Adapter .....	1
3	00-852940-00001	Air Orifice Natural Gas (Sea Level to 4000 Ft.) .....	1
4	00-852940-00002	Air Orifice Propane Gas (Sea Level to 4000 Ft.) .....	1
5	00-854055-00001	Air Orifice Natural Gas (4001 to 6000 Ft.) .....	1
6	00-854056-00001	Air Orifice Propane Gas (4001 to 6000 Ft.) .....	1
7	00-851633-00001	Gasket – Blower Exhaust .....	1
8	00-851315-00001	Valve – Comb. Gas Main Burner .....	1
9	00-354344-00004	Valve – Gas Control Pilot .....	1
10	00-852984-00002	Orifice Natural Gas (Sea Level to 2000 Ft.) .....	1
11	00-852984-00004	Orifice Propane Gas (Sea Level to 2000 Ft.) .....	1
12	00-852984-00005	Orifice Natural Gas (2001 to 4000 Ft.) .....	1
13	00-852984-00006	Orifice Propane Gas (2001 to 4000 Ft.) .....	1
14	00-852984-00007	Orifice Natural Gas (4001 to 6000 Ft.) .....	1
15	00-852984-00008	Orifice Propane Gas (4001 to 6000 Ft.) .....	1
16	00-850735-00001	Blower .....	1

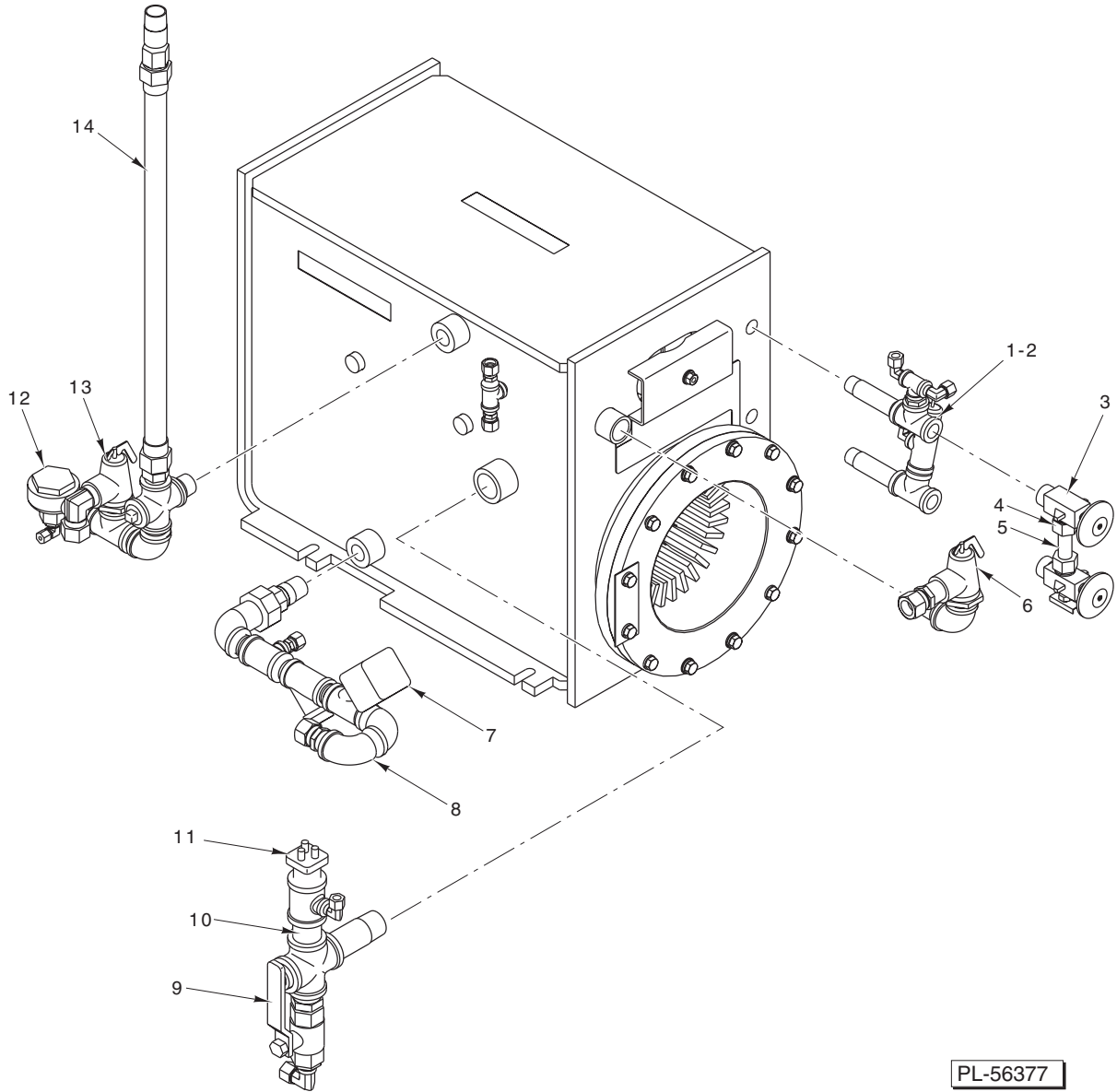


PL-56376

**BOILER ASSEMBLY  
(VHX, VHL, AND MHB GAS UNITS)**

**BOILER ASSEMBLY  
(VHX, VHL, AND MHB GAS UNITS)**

ILLUS.	PART NO.	NAME OF PART	AMT.
PL-56376			
1	00-850762-00001	Boiler Assembly (Incls. Items 2, 3, & 10 thru 16) .....	1
2	FP-088-50	Plug – Pipe .....	1
3	00-880044	Steamer – Descaler .....	1
4	00-854058-00001	Gasket – Heat Exchanger Casting .....	1
5	00-850422-00002	Casting – Heat Exchanger Tube .....	1
6	SC-116-83	Cap Screw <sup>3</sup> / <sub>8</sub> -16 x 1 <sup>1</sup> / <sub>2</sub> Hex Hd. ....	12
7	00-850786-00001	Plate – Flue Washer .....	1
8	WS-006-27	Washer (SST) .....	6
9	WL-004-03	Lockwasher <sup>3</sup> / <sub>8</sub> Helical .....	12
10	NS-015-11	Nut <sup>5</sup> / <sub>16</sub> -18 Hex (SST) .....	1
11	WS-005-32	Washer (SST) .....	1
12	WL-019-62	Lockwasher <sup>5</sup> / <sub>16</sub> External (SST) .....	1
13	00-817024	Stud – Hand Hole Cover .....	1
14	00-817023	Retainer – Hand Hole Cover .....	1
15	00-817025	Gasket – Hand Hole .....	1
16	00-817022	Cover – Hand Hole .....	1

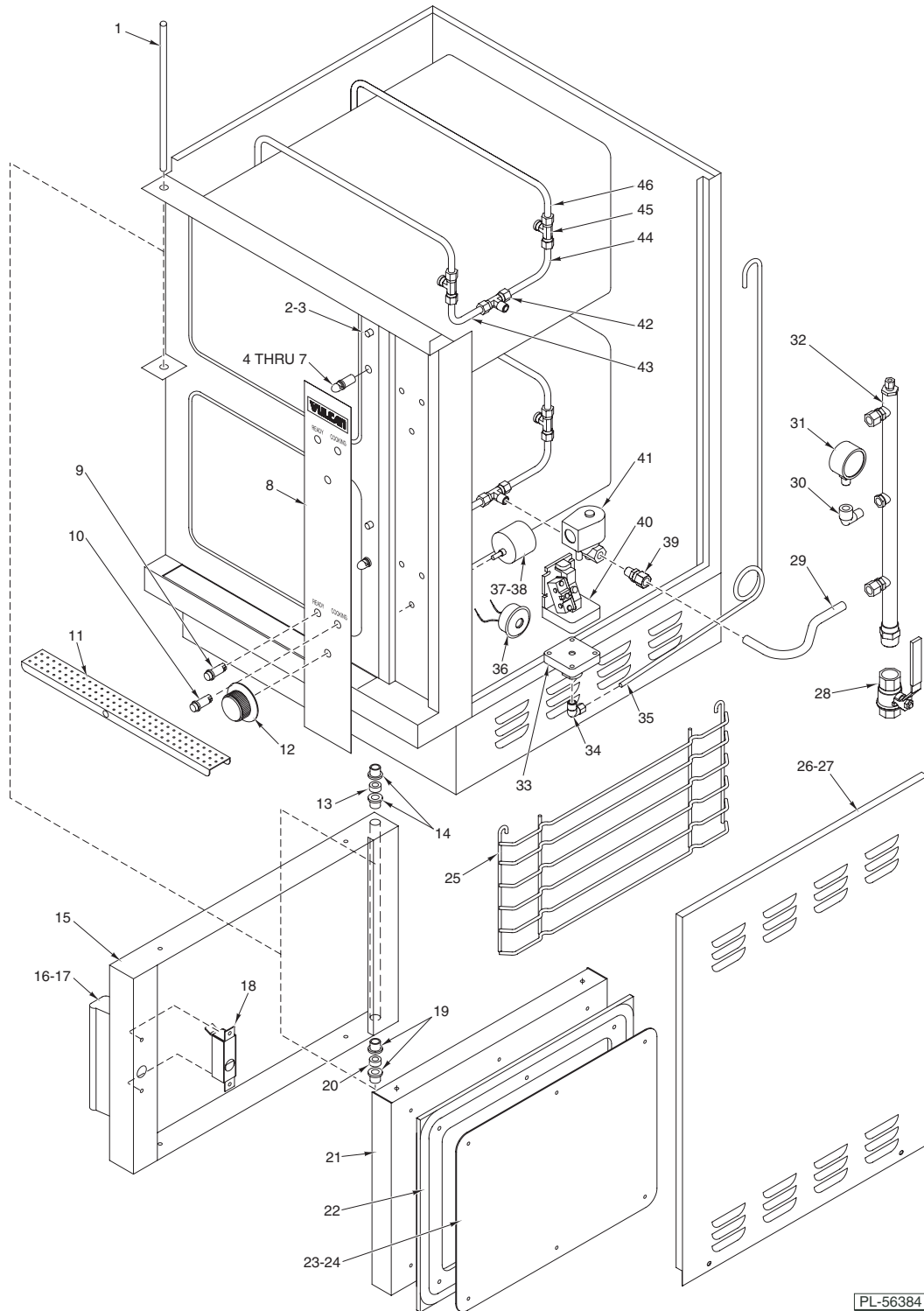


PL-56377

**BOILER PLUMBING COMPONENTS**

**BOILER PLUMBING COMPONENTS**

ILLUS.	PART NO.	NAME OF PART	AMT.
	PL-56377		
1	00-817233	Probe – Water Level Control (Auxillary LLCO) .....	1
2	00-817477-00007	Extension – Probe (Auxillary LLCO) .....	1
3	00-851300-00001	Gauge – Glass, and Fitting Assy. (Incls. Items 4 & 5) .....	1
4	00-817098-00005	Washer – Rubber .....	2
5	00-850761-00001	Gauge – Glass (3.5 In. Lg.) .....	1
6	00-880413	Valve – Pressure Relief <sup>3</sup> / <sub>4</sub> (15 PSI) .....	1
7	00-851613-00001	Valve – Boiler Drain .....	1
8	00-850764-00001	Drain Line Assy. (Incls. Item 7) .....	1
9	00-881162	Valve <sup>3</sup> / <sub>4</sub> Ball .....	1
10	00-850766-00001	Probe Housing Assy. (Incls. Items 9 & 11) .....	1
11	00-850736-00001	Control – Level 3 Probe .....	1
12	00-880016-00011	Trap – <sup>1</sup> / <sub>2</sub> Radiator .....	1
13	00-851316-00001	Valve – Relief <sup>3</sup> / <sub>4</sub> (13 PSI) .....	1
14	00-851318-00001	Line – Steam Flex .....	1



PL-56384

**VHX SERIES PRESSURELESS COOKER  
(6 PAN UNIT)**

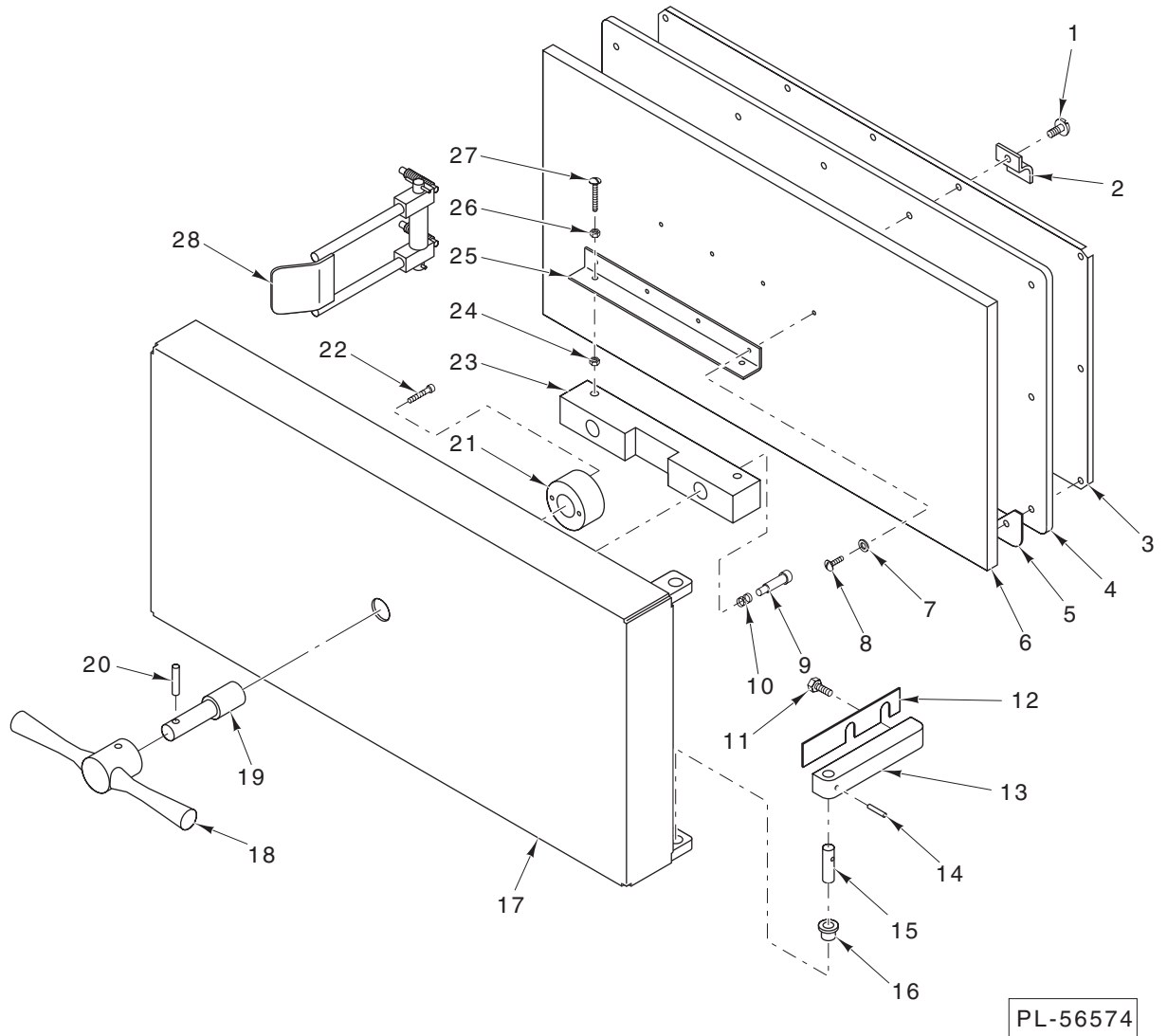
**VHX SERIES PRESSURELESS COOKER  
(6 PAN UNIT)**

ILLUS. PL-56384	PART NO.	NAME OF PART	AMT.
1	00-844016	Rod – Hinge .....	1
2	00-842049	Switch – Door .....	1
3	00-850077	Pin – Actuator With Clip .....	1
4	00-840496	Striker .....	2
5	00-844533	Washer (SST) .....	2
6	00-850075	Lockwasher .....	2
7	00-850076	Nut – Hex .....	2
8	00-854454	Panel – Control .....	1
9	00-840507	Pilot Light – Green .....	2
10	00-844367-00055	Pilot Light – Red .....	2
11	00-840495	Channel – Perforated Trough .....	1
12	00-843781-00003	Knob – Timer (60 Hz.) .....	2
13	00-850447	Spacer .....	2
14	00-840479	Bushing (Bronze) .....	6
15	00-844191	Door Assy. – 3 Pan .....	2
16	00-844193	Handle – Door .....	2
17	00-850193	Decal – Door Handle .....	2
18	00-840480	Latch – Device .....	2
19	00-840479	Bushing (Bronze) .....	6
20	00-850447	Spacer .....	2
21	00-844195	Panel – Door 3 Pan .....	2
22	00-844196	Door Gasket – 3 Pan .....	2
23	00-851224	Gasket Plate – 3 Pan .....	2
24	00-844453	Screw 10-32 x 1/2 (SST) .....	12
25	00-840499	Pan Rack – 3 Pan .....	4
26	00-843830	Enclosure Panel .....	1
27	00-850073	Screw 10-32 x 1/2 (SST) .....	2
28	00-840522	Valve – Steam Control 3/4 In. ....	1
29	00-850251	Tube – Steam Supply 3/8 x 11 (Brass) .....	2
30	00-850271	Elbow .....	1
31	00-844010	Gauge – Pressure .....	1
32	00-843950	Manifold – Steam .....	1
33	00-843833	Transducer .....	1
34	00-854455	Elbow 1/4 x 1/4 MPT .....	1
35	00-843948	Steam Tube 1/4 (Copper) .....	1
36	00-842927	Buzzer .....	1
37	00-411690-00002	Timer (60 Min.) (240 V., 60 Hz.) .....	2
38	00-844158	Timer (120 Min.) .....	2
39	00-850253	Connector 1/2 x 1/4 MPT .....	2
40	00-843832	Switch – Pressure .....	1
41	00-843836	Valve – Steam Solenoid .....	2
42	00-850624	Tee 3/8 TBG x 1/4 MPT .....	6
43	00-843949	Steam Tube – Front .....	2
44	00-843951	Steam Tube – Rear .....	2
45	00-850624	Tee 3/8 TBG x 1/4 MPT .....	6
46	00-850530	Steam Tube – Crossover .....	4
	00-854456	Riser – Front and Rear .....	2
	00-850497	Riser – Left and Right Sides .....	2
	00-843831	Panel – Top .....	1
	00-850124	Panel – Component Mounting .....	1
	00-850096	Panel – Left Side and Back .....	1
	00-851241	Hose – Drain Compartment .....	2



**VHX SERIES PRESSURELESS COOKER  
(10 PAN UNIT)**

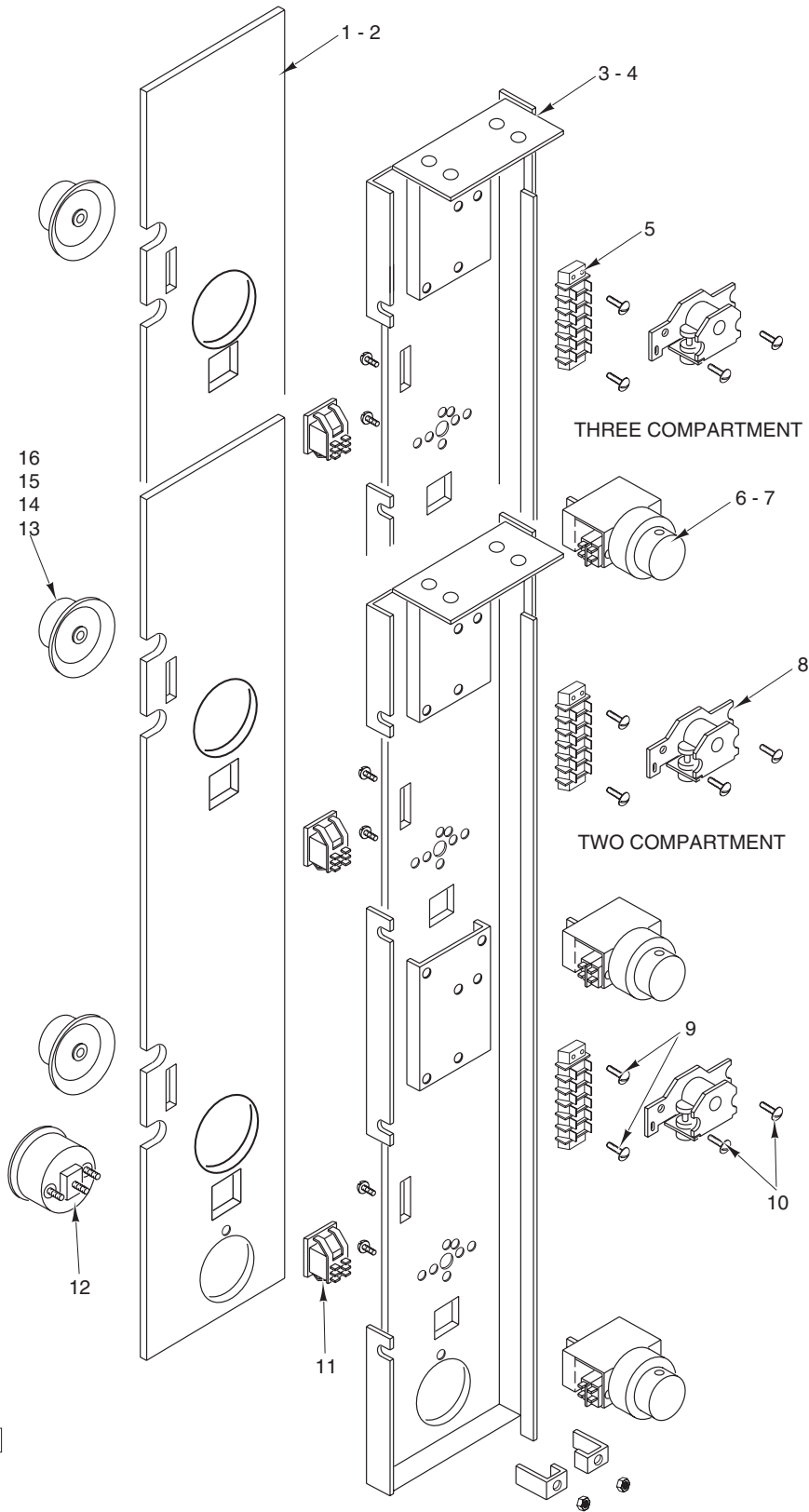
ILLUS. PL-56385	PART NO.	NAME OF PART	AMT.
1	00-854457	Rod – Hinge .....	1
2	00-842049	Switch – Door .....	2
3	00-854458	Pin – Actuator with Clip .....	2
4	00-840496	Striker .....	2
5	00-844533	Washer (SST) .....	2
6	00-850075	Lockwasher .....	2
7	00-850076	Nut – Hex .....	2
8	00-854220	Panel – Control .....	1
9	00-840507	Pilot Light – Green .....	2
10	00-844367-00055	Pilot Light – Red .....	2
11	00-840495	Channel – Perforated Trough .....	1
12	00-843781-00003	Knob – Timer (60 Hz.) .....	2
13	00-850447	Spacer .....	2
14	00-840479	Bushing (Bronze).....	6
15	00-845584	Door Assy. – 5 Pan .....	2
16	00-844193	Handle – Door .....	2
17	00-844194	Latch Assy. ....	2
18	00-840479	Bushing (Bronze).....	6
19	00-850447	Spacer .....	2
20	00-845588	Door Panel – 5 Pan .....	2
21	00-844385	Door Gasket – 5 Pan .....	2
22	00-851418	Door Gasket Plate – 5 Pan .....	1
23	00-844453	Screw 10-32 x 1/2 (SST) .....	12
24	00-843860	Pan Rack – 5 Pan .....	4
25	00-850131	Enclosure Panel.....	1
26	00-850073	Screw 10-32 x 1/2 (SST) .....	2
27	00-840522	Valve – Steam Control 3/4 In. ....	1
28	00-850251	Tube – Steam Supply 3/8 x 11 (Brass) .....	2
29	00-850271	Elbow .....	1
30	00-844010	Gauge – Pressure .....	1
31	00-854459	Manifold – Steam .....	1
32	00-843833	Transducer .....	1
33	00-854455	Elbow 1/4 x 1/4 MPT .....	1
34	00-854460	Steam Tube 1/4 (Copper) .....	1
35	00-842927	Buzzer .....	1
36	00-411690-00002	Timer (60 Min.).....	1
37	00-850253	Connector 1/2 x 1/4 MPT .....	2
38	00-851814	Switch – Pressure .....	1
39	00-843836	Valve – Steam Solenoid .....	2
40	00-850624	Tee 3/8 TBG x 1/4 MPT .....	6
41	00-843949	Steam Tube – Front .....	2
42	00-843951	Steam Tube – Rear .....	2
43	00-850624	Tee 3/8 TBG x 1/4 MPT .....	6
44	00-851227	Steam Tube – Crossover .....	4
	00-850400	Hose – Drain Compartment .....	2
	00-853973	Tube (LH) Steam 3/8 O.D. ....	1
	00-843831	Panel – Top .....	1
	00-853930	Panel – Left Side and Back .....	1



VHL SERIES STEAMER COMPARTMENT DOOR

VHL SERIES STEAMER COMPARTMENT DOOR

ILLUS. PL-56574	PART NO.	NAME OF PART	AMT.
1	SC-053-41	Mach. Screw 1/4-20 x 1/2 Slotted Truss Hd. (SST)	10
2	00-881629	Lift-Hook – Door	2
3	00-881625	Retainer – Door Gasket	1
4	00-881624	Gasket – Door	1
5	00-843934	Shim – Door Gasket	AR
6	00-356708-00001	Plate – Inner Door 3/4 In. (Alum.)	1
7	WL-003-38	Lockwasher 1/4 Helical	4
8	SC-053-41	Mach. Screw 1/4-20 x 1/2 Slotted Truss Hd. (SST)	4
9	SC-086-24	Shoulder Screw 1/2 Dia. x 1 1/2 Lg. Hex Soc. Hd.	2
10	00-881627	Spring – Compression	2
11	00-356718-00001	Bolt – Hinge	4
12	00-843935	Shim – Door Hinge	AR
13	00-356717-00001	Hinge – Compartment	2
14	RP-002-10	Roll Pin	2
15	00-356716-00001	Pin – Hinge	2
16	00-817643	Bearing – Flanged	2
17	00-356707-00001	Door Assy. Weldment	1
18	00-881630	Handle – Door	1
19	00-880091	Screw – Handle	1
20	RP-003-36	Roll Pin	1
21	00-881626	Nut – Door Screw	1
22	SC-059-30	Cap Screw 1/4-20 x 1 Hex Soc. Hd. (SST)	2
23	00-356714-00001	Bar – Pressure	1
24	NS-017-08	Jam Nut 5/16-18 Hex	2
25	00-356715-00001	Angle – Inner Door Mounting	1
26	NS-017-08	Jam Nut 5/16-18 Hex	2
27	SC-098-02	Mach. Screw 5/16-18 x 1 3/4 Slotted Rd. Hd. (SST)	2
28	00-356720-00001	Door Latch Weldment	1

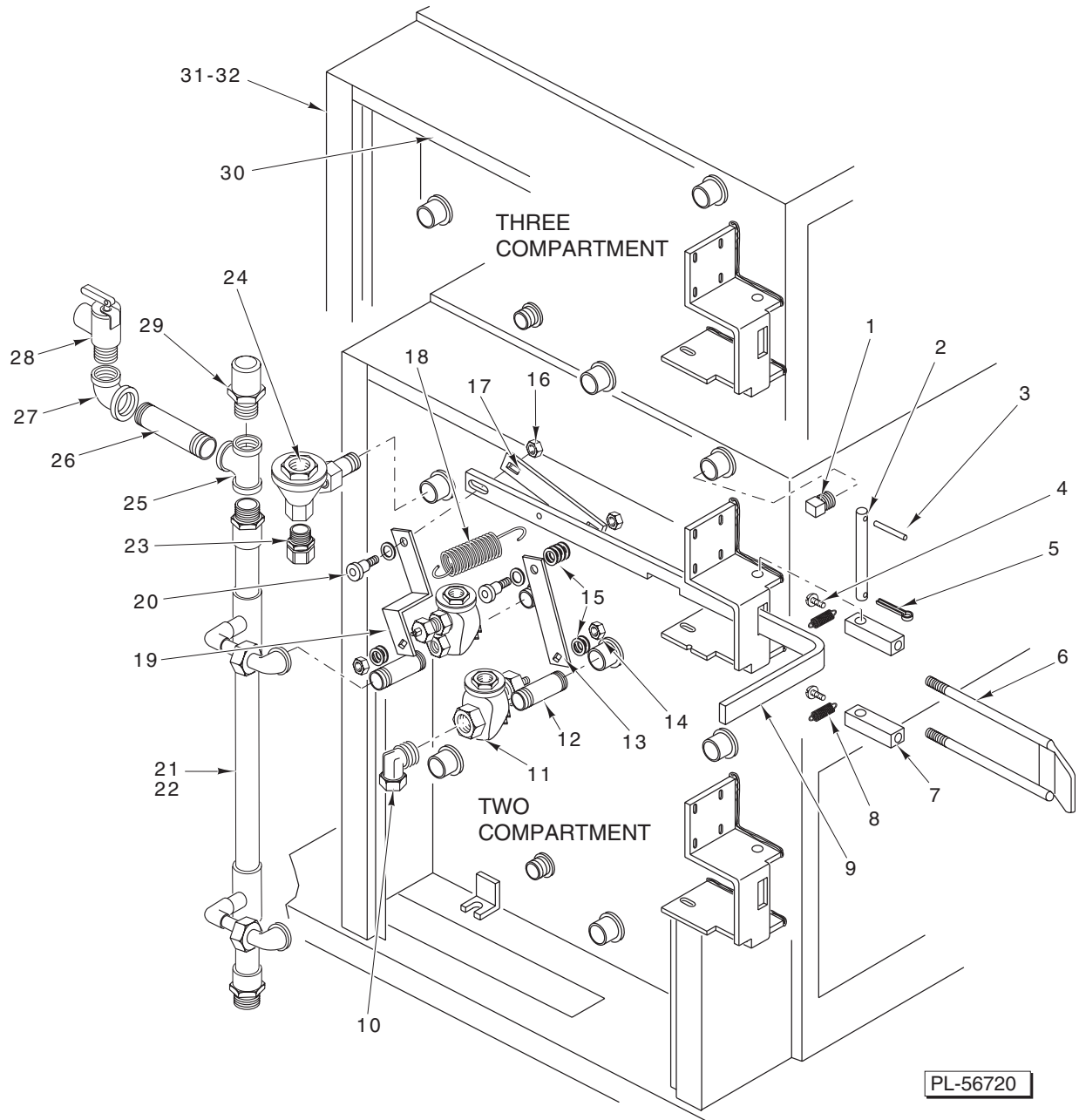


VHL SERIES CONTROL PANEL – AUTO DELUXE, PRE-VENT CONTROLS

**VHL SERIES CONTROL PANEL – AUTO DELUXE, PRE-VENT CONTROLS**

ILLUS.	PART NO.	NAME OF PART	AMT.
PL-50809			
1	00-881607-00011	Panel – Nameplate (2 Compartment) .....	1
2	00-881607-00012	Panel – Nameplate (3 Compartment) .....	1
3	00-881622-00001	Panel – Mounting (2 Compartment) .....	1
4	00-881622-00003	Panel – Mounting (3 Compartment) .....	1
5	00-881604	Strip – Terminal .....	2
6	00-881601	Timer (60 Min.) .....	2
7	00-817217	Timer (15 Min.) .....	2
8	00-411499-00004	Buzzer .....	2
9	SC-119-72	Mach. Screw 8-32 x 1/2 Slotted Fil. Hd. (SST) .....	4
10	SC-119-72	Mach. Screw 8-32 x 1/2 Slotted Fil. Hd. (SST) .....	4
11	00-881579	Switch – Lighted (On/Off) .....	2
12	00-833152	Gauge – Pressure 0-31 PSI 1/4 MPT .....	1
13	00-881669-00010	Knob – Timer (60 Min., 60 Hz.) .....	2
14	00-881669-00011	Knob – Timer (60 Min., 50 Hz.) .....	2
15	00-817179-00001	Knob – Timer (15 Min., 60 Hz.) .....	2
16	00-817179-00002	Knob – Timer (15 Min., 50 Hz.) .....	2

Note: Quantities for 2-Compartment Are Used Above. Quantities for 3-Compartment Will Vary.

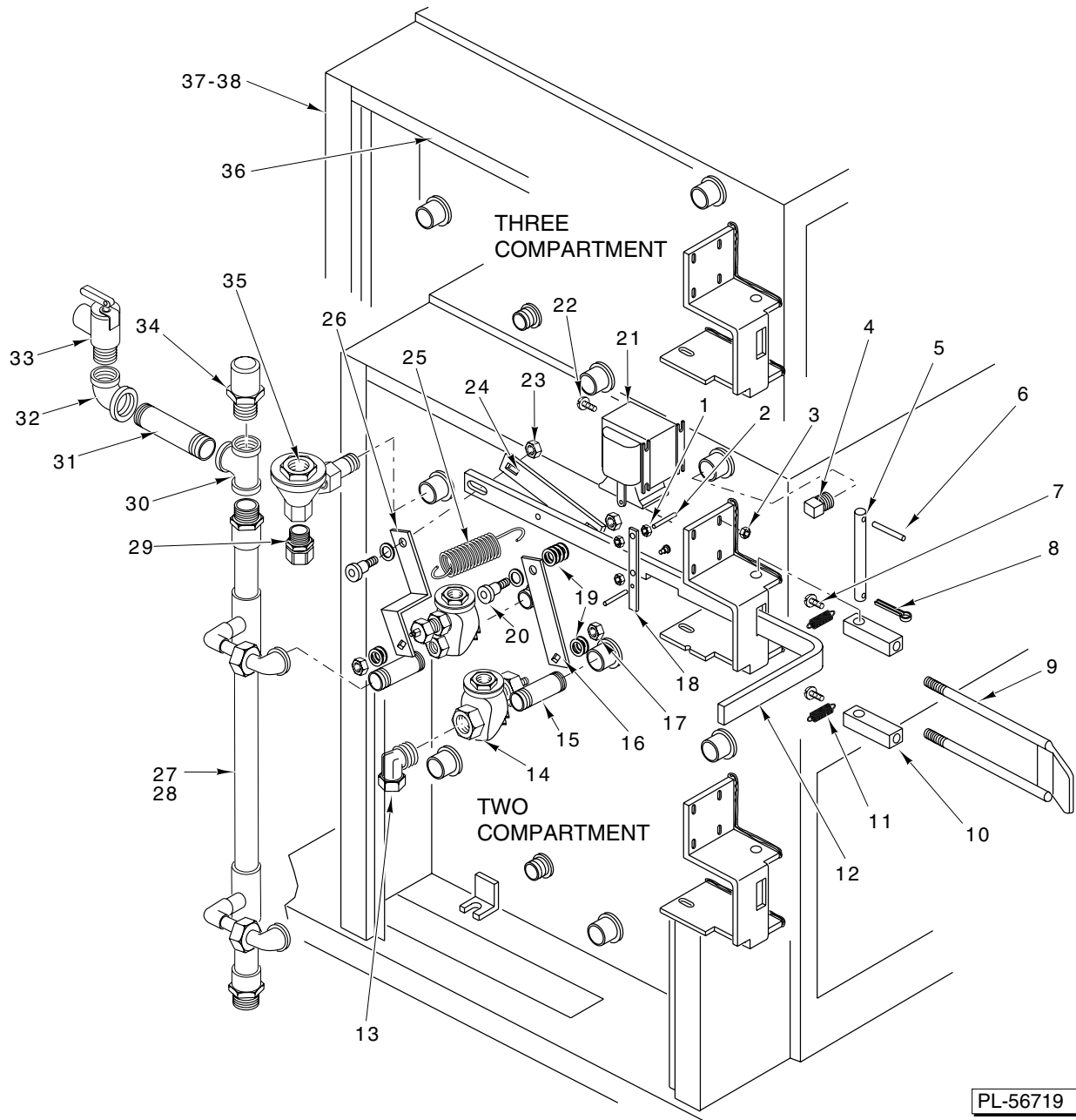


PL-56720

VHL SERIES COMPARTMENT CONTROLS - MANUAL

VHL SERIES COMPARTMENT CONTROLS – MANUAL

ILLUS. PL-56720	PART NO.	NAME OF PART	AMT.
1	FP-084-08	Plug – Pipe 1/2 (Brass) .....	3
2	00-881648	Pin – Pivot .....	1
3	RP-004-23	Pin – Roll 0.125 .....	1
4	SC-053-03	Mach. Screw 10-24 x 3/4 Slotted Truss Hd. (SST) .....	2
5	PC-003-56	Cotter Pin 1/8 x 1 .....	1
6	00-356720-00001	Latch – Door Weldment .....	1
7	00-881590	Pivot – Latch .....	2
8	00-880262	Spring – Door Catch .....	2
9	00-356719-00001	Arm – Pull .....	3
10	FP-047-42	Fitting – 90 Deg. Male Elbow 1/2 TBG x 1/2 MPT (Brass) .....	3
11	00-881675	Valve – Gate .....	6
12	FP-054-39	Pipe 1/2 x 2 1/2 (SST) .....	6
13	00-844039-00001	Arm – Exhaust Valve Weldment .....	3
14	NS-031-21	Stop Nut 1/4-20 Hex Special (SST) .....	AR
15	WS-018-37	Washer (SST) .....	6
16	NS-036-19	Stop Nut SP 5/16-18 (SST) .....	3
17	00-881593	Link – Steam Control Arm .....	3
18	00-881429	Spring – Steam Control Arm .....	3
19	00-844038-00001	Arm – Inlet Valve Weldment .....	3
20	SC-086-06	Shoulder Screw 3/8 D x 1/2 L .....	3
21	00-881598-00001	Header – Inlet (2 Compartment) (Direct Steam Only) .....	1
22	00-881598-00002	Header – Inlet (3 Compartment) (Direct Steam Only) .....	1
23	FP-047-09	Fitting – Tube 1/2 TBG x 1/2 MPT (Brass) .....	3
24	00-880016-00011	Trap – Steam 1/2 .....	AR
25	FP-019-28	Tee 3/4 Bronze (Brass) .....	1
26	FP-043-77	Pipe 3/4 x 4 Lg. (TBE) (Brass) .....	1
27	FP-015-23	Elbow 3/4 x 90 Deg. (Brass) .....	1
28	00-880026	Valve – Pressure Relief (3/4) (8 PSI, 3/4 In. NPT) .....	1
29	00-881760	Breaker – Vacuum .....	1
30	00-881606-00011	Top – Control Housing .....	1
31	00-881898-00001	Back – Control Housing (2 Compartment) .....	1
32	00-881898-00002	Back – Control Housing (3 Compartment) .....	1
	FP-015-16	Elbow – Pipe 1/2 x 90 Deg. .....	1
	FP-087-39	Fitting – Hose .....	1

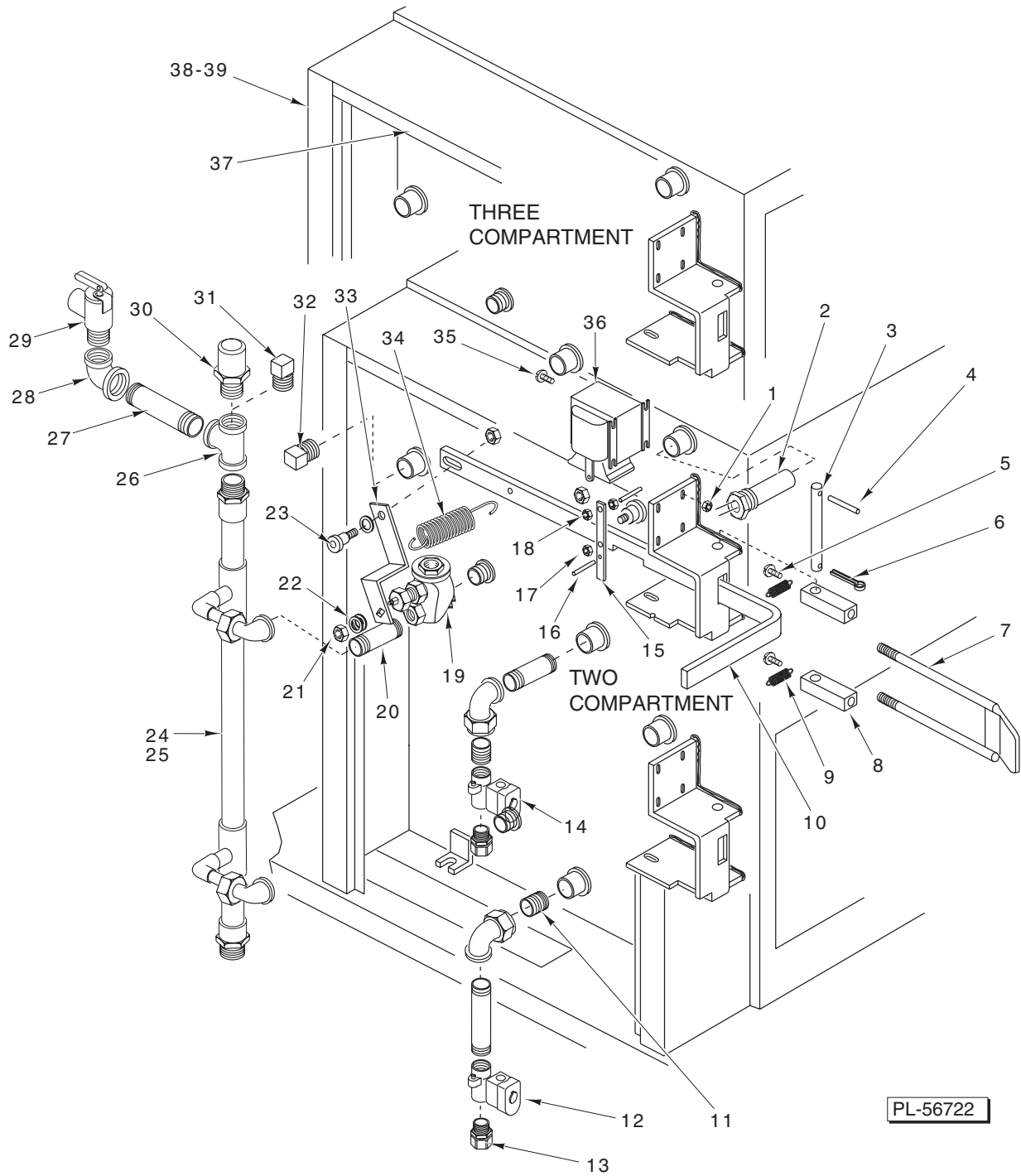


PL-56719

VHL SERIES COMPARTMENT CONTROLS – STANDARD AUTO

**VHL SERIES COMPARTMENT CONTROLS – STANDARD AUTO**

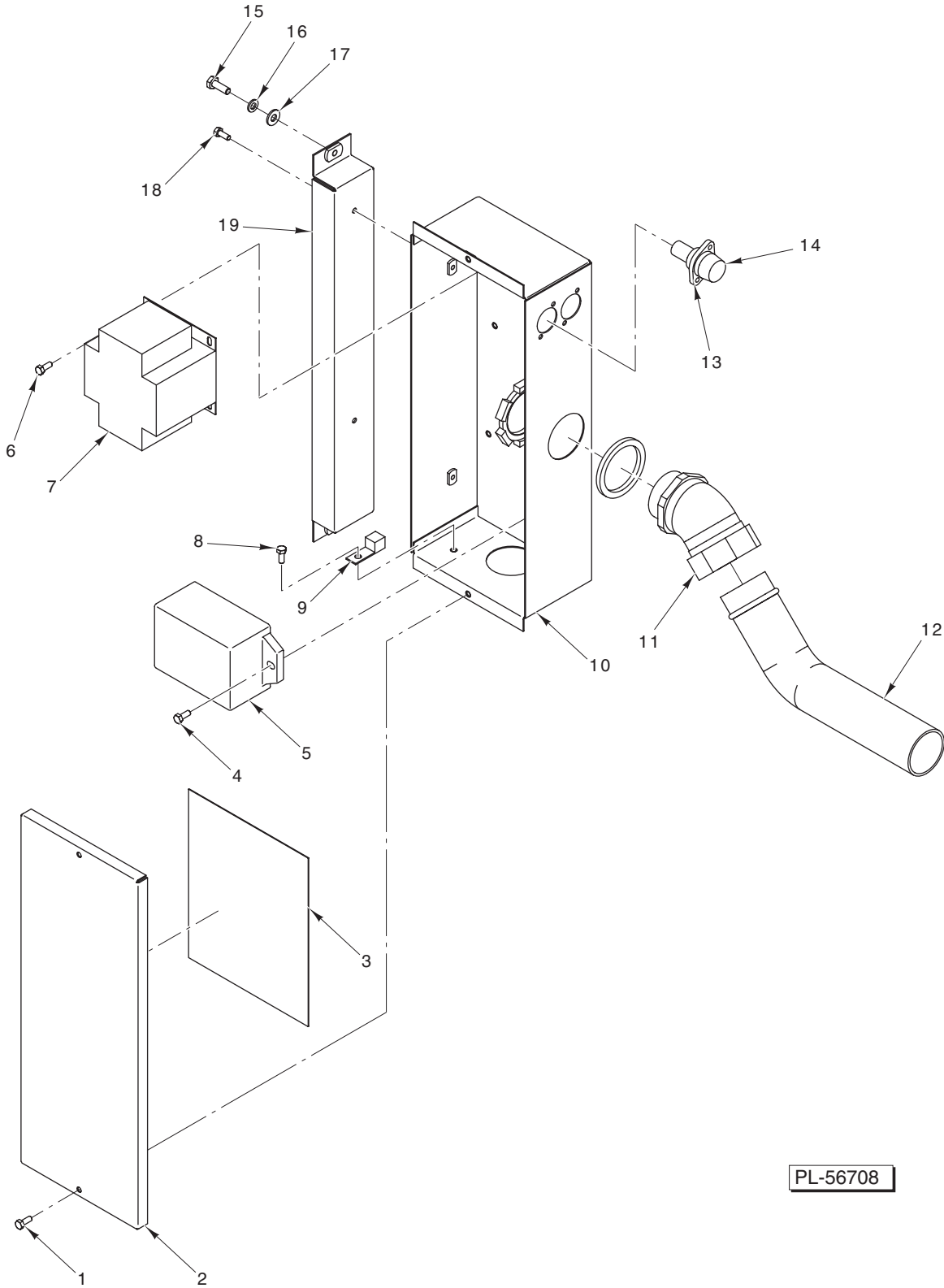
ILLUS. PL-56719	PART NO.	NAME OF PART	AMT.
1	NS-046-38	Nut – Lock 1/4-20 Hex .....	AR
2	RP-003-08	Roll Pin 3/16 Dia. x 1 1/8 Lg. ....	2
3	NS-031-15	Stop Nut – Special 10-24 Hex (SST) .....	4
4	FP-084-08	Plug – Pipe 1/2 (Brass) .....	1
5	00-881648	Pin – Pivot .....	1
6	RP-004-23	Pin – Roll 0.125 .....	1
7	SC-053-03	Mach. Screw 10-24 x 3/4 Slotted Truss Hd. (SST) .....	2
8	PC-003-56	Cotter Pin 1/8 x 1 .....	1
9	00-356720-00001	Latch – Door Weldment .....	AR
10	00-881590	Pivot – Latch .....	2
11	00-880262	Spring – Door Catch .....	2
12	00-356719-00001	Lever – Steam Control .....	AR
13	FP-047-42	Fitting – 90 Deg. Male Elbow 1/2 (TBG) x 1/2 MPT (Brass) .....	1
14	00-881675	Valve – Gate .....	2
15	FP-054-39	Pipe 1/2 x 2 1/2 (SST) .....	2
16	00-881823	Arm – Valve Control .....	AR
17	NS-031-21	Stop Nut – 1/4-20 Hex Special (SST) .....	AR
18	00-881426	Solenoid – Arm Lift .....	1
19	WS-018-37	Washer .....	AR
20	SC-086-06	Shoulder Screw 3/8 D x 1/2 L .....	1
21	00-881414	Solenoid – Steam Control .....	1
22	SC-053-02	Mach. Screw 10-24 x 1/2 Truss Hd. (SST) .....	4
23	NS-036-19	Stop Nut SP 5/16-18 .....	AR
24	00-881593	Link – Arm .....	AR
25	00-881429	Spring – Steam Control Arm .....	1
26	00-844038-00001	Arm – Inlet Valve Weldment .....	AR
27	00-881598-00001	Header – Inlet (2 Compartment) (Direct Steam Only) .....	1
28	00-881598-00002	Header – Inlet (3 Compartment) (Direct Steam Only) .....	1
29	FP-047-09	Fitting – Tube 1/2 TBG x 1/2 MPT (Brass) .....	1
30	FP-019-28	Tee 3/4 (Bronze) .....	1
31	FP-043-77	Pipe 3/4 x 4 Lg. TBE .....	1
32	FP-015-23	Elbow 3/4 x 90 Deg. Brass .....	1
33	00-880026	Valve – Pressure Relief (3/4) (8 PSI, 3/4 In. NPT) .....	1
34	00-881760	Breaker – Vacuum (Only On Units With Boilers) .....	1
35	00-880016-00011	Trap – Steam 1/2 .....	AR
36	00-881606-00011	Top – Control Housing .....	1
37	00-881898-00001	Back – Control Housing (2 Compartment) .....	1
38	00-881898-00002	Back – Control Housing (3 Compartment) .....	1
	FP-015-16	Elbow – Pipe 1/2 x 90 Deg. ....	1
	FP-087-39	Fitting – Hose .....	1



VHL SERIES COMPARTMENT CONTROLS - PRE-VENT

VHL SERIES COMPARTMENT CONTROLS – PRE-VENT

ILLUS. PL-56722	PART NO.	NAME OF PART	AMT.
1	NS-031-15	Stop Nut 10-24 Hex Special (SST) .....	AR
2	00-843973-00001	Switch – Thermal .....	AR
3	00-881648	Pin – Pivot .....	AR
4	RP-004-23	Pin – Roll 0.125 .....	AR
5	SC-053-03	Mach. Screw 10-24 x 3/4 Slotted Truss Hd. (SST) .....	AR
6	PC-003-56	Cotter Pin 1/8 x 1 .....	AR
7	00-356720-00001	Latch – Door Weldment .....	AR
8	00-881590	Pivot – Latch .....	AR
9	00-880262	Spring – Door Catch .....	AR
10	00-356719-00001	Arm – Pull .....	AR
11	FP-040-42	Pipe 1/2 x 1 1/8 TBE .....	AR
12	00-842178	Valve – Solenoid (Lower) .....	AR
13	FP-047-42	Fitting – Tube 1/2 TBG x 1/2 MPT (Brass) .....	AR
14	00-842179	Valve – Solenoid (Upper) .....	1
15	00-881426	Solenoid – Arm Lift .....	AR
16	RP-003-08	Roll Pin 3/16D x 1 1/8L .....	AR
17	NS-036-19	Stop Nut 5/16-18 (SST) .....	AR
18	NS-046-38	Mach. Nut 1/4-20 Hex (SST) .....	AR
19	00-881675	Valve – Gate .....	AR
20	FP-054-39	Pipe 1/2 x 2 1/2 (SST) .....	AR
21	NS-031-21	Stop Nut 1/4-20 Hex Special (SST) .....	AR
22	WS-018-37	Washer (SST) .....	AR
23	SC-086-06	Shoulder Screw 3/8D x 1/2L .....	AR
24	00-881598-00001	Header – Inlet (2 Compartment) (Direct Steam Only) .....	1
25	00-881598-00002	Header – Inlet (3 Compartment) (Direct Steam Only) .....	1
26	FP-019-28	Tee 3/4 (Brass) .....	1
27	FP-043-77	Pipe 3/4 x 4 Lg. TBE (Brass) .....	1
28	FP-015-23	Elbow 3/4 x 90 Deg. (Brass) .....	1
29	00-880026	Pressure Relief Valve 3/4 In. .....	1
30	00-881760	Breaker – Vacuum (Only On Units With Boilers) .....	1
31	FP-028-19	Plug – Pipe 3/4 (Brass) (Only On Direct Steam Units) .....	1
32	FP-084-08	Plug – Pipe 1/2 (Brass) .....	AR
33	00-844038-00001	Arm – Inlet Valve Weldment .....	AR
34	00-881429	Spring – Steam Control Arm .....	AR
35	SC-053-02	Mach. Screw 10-24 x 1/2 Slotted Truss Hd. (SST) .....	AR
36	00-881414	Solenoid – Steam Control .....	AR
37	00-881606-00011	Top – Control Housing .....	1
38	00-881898-00001	Back – Control Housing (2 Compartment) .....	1
39	00-881898-00002	Back – Control Housing (3 Compartment) .....	1

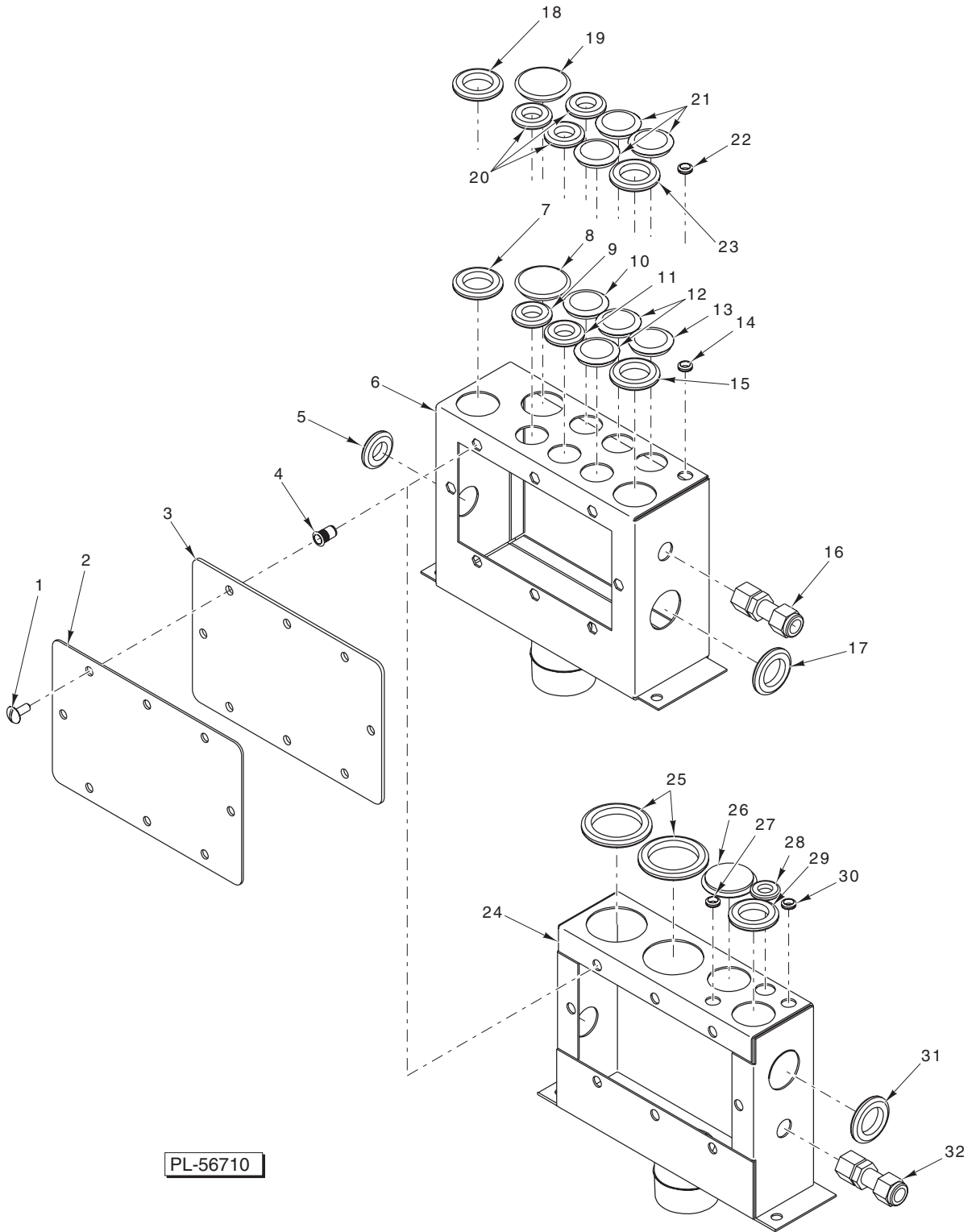


PL-56708

**FIELD TERMINAL BOX  
(ELECTRIC UNITS)**

**FIELD TERMINAL BOX  
(ELECTRIC UNITS)**

ILLUS.	PART NO.	NAME OF PART	AMT.
PL-56708			
1	SC-067-06	Mach. Screw 10-24 x 1/2 Hex Hd. (SST) .....	2
2	00-854810-00001	Lid – Field Terminal Box Wldt. ....	1
3	00-855178-00001	Label – Power Diagram .....	1
4	SC-067-06	Mach. Screw 10-24 x 1/2 Hex Hd. (SST) .....	2
5	00-854842-00001	Block – Terminal (3 Pole) .....	1
6	SC-067-06	Mach. Screw 10-24 x 1/2 Hex Hd. (SST) .....	4
7	00-855177-00001	Transformer (200 V.) .....	1
8	SC-067-06	Mach. Screw 10-24 x 1/2 Hex Hd. (SST) .....	1
9	FE-023-88	Lug – Ground .....	1
10	00-854808-00002	Box – Field Terminal Wldt. ....	1
11	FE-015-18	Connector – Conduit 1 1/2 TS (45 Deg.) .....	1
12	00-515948	Conduit 1 1/2 Sealtite Type .....	1
13	00-881236	Holder – Fuse .....	2
14	00-881237	Fuse (10 Amp.) .....	2
15	SC-041-01	Cap Screw 1/4-20 x 3/4 Hex Hd. (SST) .....	2
16	WL-006-17	Lockwasher 1/4 Helical (SST) .....	2
17	WS-017-06	Washer (SST) .....	2
18	SC-067-06	Mach. Screw 10-24 x 1/2 Hex Hd. (SST) .....	2
19	00-854807-00002	Bracket – Field Terminal Box Wldt. ....	1

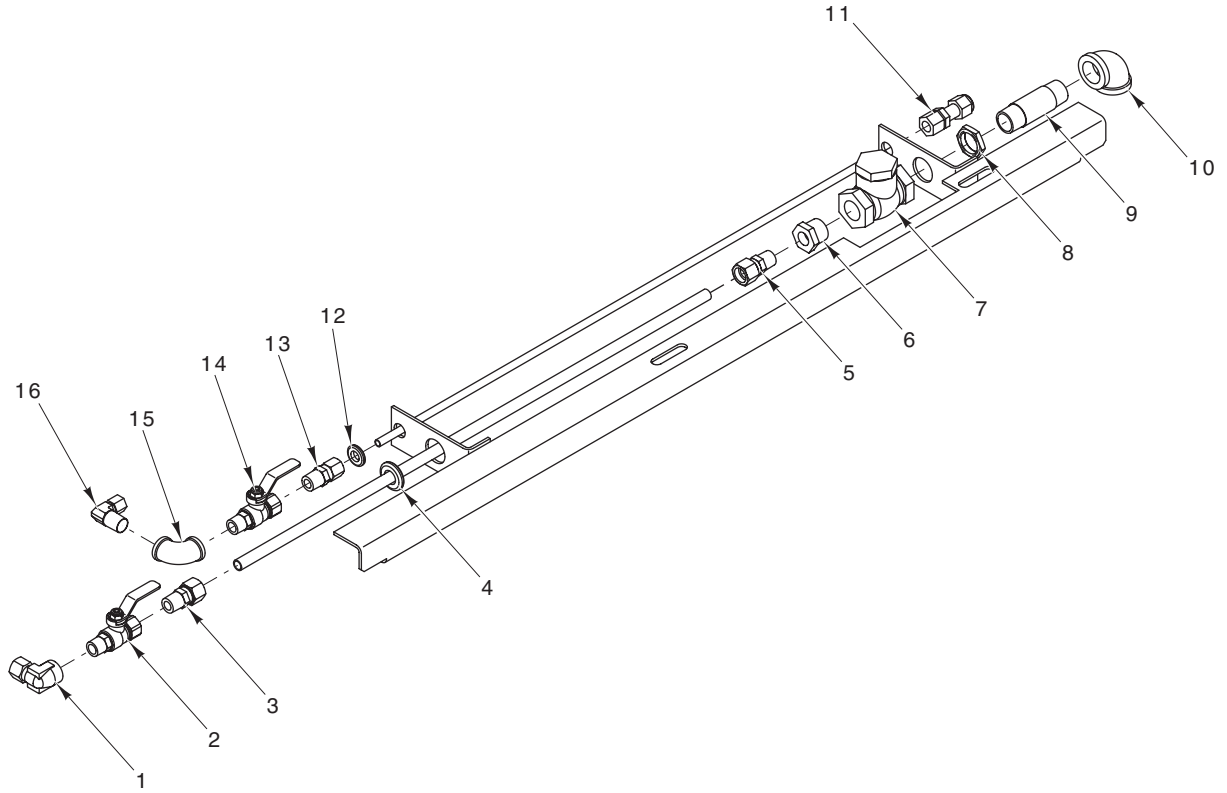


PL-56710

**CONDENSER BOX**

**CONDENSER BOX**

ILLUS. PL-56710	PART NO.	NAME OF PART	AMT.
1	SC-053-02	Mach. Screw 10-24 x 1/2 Slotted Truss Hd. (SST) .....	8
2	00-844093-00001	Cover .....	1
3	00-844094-00001	Gasket .....	1
4	00-328479-00002	Nutsert 0.515 x 400 MONEL .....	8
5	00-844125-00007	Grommet 1/2 In. I.D. ....	1
6	00-852979-00001	Box – Condenser Weldment .....	1
7	00-844125-00001	Grommet 3/4 In. I.D. (VHL2E) .....	1
8	00-844125-00008	Grommet 1 1/32 In. Plug (VHL2E) .....	1
9	00-844125-00007	Grommet 1/2 In. I.D. (VHL2E) .....	1
10	00-844125-00006	Grommet – Plug (VHL2E) .....	1
11	00-844125-00007	Grommet 1/2 In. I.D. (VHL2E) .....	1
12	00-844125-00006	Grommet – Plug (VHL2E) .....	2
13	00-844125-00007	Grommet 1/2 In. I.D. (VHL2E) .....	1
14	00-844125-00003	Grommet 1/4 In. I.D. (VHL2E) .....	1
15	00-844125-00001	Grommet 3/4 In. I.D. (VHL2E) .....	1
16	00-844152-00001	Adapter – CWC Spray .....	1
17	00-844125-00001	Grommet 3/4 In. I.D. ....	1
18	00-844125-00001	Grommet 3/4 In. I.D. (VHL3E) .....	1
19	00-844125-00008	Grommet 1 1/32 In. Plug (VHL3E) .....	1
20	00-844125-00007	Grommet 1/2 In. I.D. (VHL3E) .....	3
21	00-844125-00006	Grommet – Plug (VHL3E) .....	3
22	00-844125-00003	Grommet 1/4 In. I.D. (VHL3E) .....	1
23	00-844125-00001	Grommet 3/4 In. I.D. (VHL3E) .....	1
24	00-850749-00001	Box – Condenser Weldment (VHXE & MHBE) .....	1
25	00-844125-00004	Grommet 1 1/4 In. I.D. (VHXE & MHBE) .....	2
26	00-844125-00008	Grommet 1 1/32 In. Plug (VHXE & MHBE) .....	1
27	00-844125-00003	Grommet 1/4 In. I.D. (VHXE & MHBE) .....	1
28	00-844125-00002	Grommet 3/8 In. I.D. (VHXE & MHBE) .....	1
29	00-844125-00001	Grommet 3/4 In. I.D. (VHXE & MHBE) .....	1
30	00-844125-00003	Grommet 1/4 In. I.D. (VHXE & MHBE) .....	1
31	00-844125-00001	Grommet 3/4 In. I.D. ....	1
32	00-844125-00001	Adapter – CSC Spray .....	1

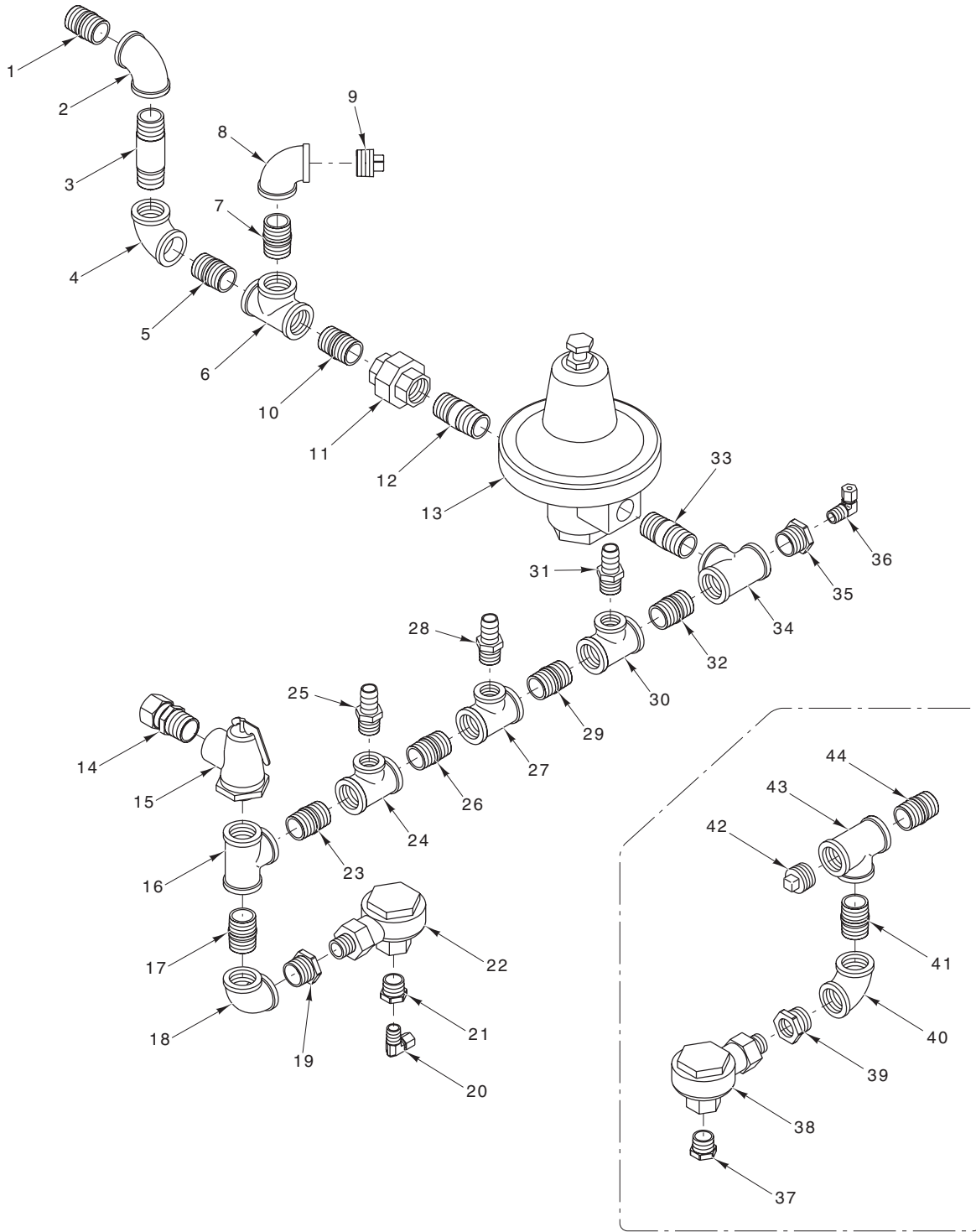


PL-56711

### WATER INLET PLUMBING

**WATER INLET PLUMBING**

ILLUS. PL-56711	PART NO.	NAME OF PART	AMT.
1	FP-086-22	Fitting – Tube $\frac{3}{8}$ TBG x $\frac{1}{4}$ FPT .....	1
2	00-854015-00001	Valve – Ball $\frac{1}{4}$ MPT x $\frac{1}{4}$ FPT .....	2
3	FP-012-24	Fitting – Tube $\frac{3}{8}$ TBG x $\frac{1}{4}$ MPT .....	2
4	00-844125-00007	Grommet $\frac{1}{2}$ In. I.D. ....	1
5	FP-012-24	Fitting – Tube $\frac{3}{8}$ TBG x $\frac{1}{4}$ MPT .....	2
6	FP-027-07	Bushing – Pipe $\frac{1}{2}$ to $\frac{1}{4}$ .....	1
7	00-833648-00002	Valve $\frac{1}{2}$ In. Swing Check (Brass) .....	1
8	FP-053-05	Nut – Lock, Pipe $\frac{1}{2}$ .....	1
9	FP-054-39	Pipe – $\frac{1}{2}$ x $2\frac{1}{2}$ .....	1
10	FP-015-16	Elbow – Pipe $\frac{1}{2}$ x 90 Deg. ....	1
11	00-844152-00001	Adapter – CWC Spray .....	1
12	00-844125-00002	Grommet $\frac{3}{8}$ In. I.D. ....	1
13	FP-047-23	Fitting – Tube $\frac{1}{4}$ TBG x $\frac{1}{4}$ MPT .....	1
14	00-854015-00001	Valve – Ball $\frac{1}{4}$ MPT x $\frac{1}{4}$ FPT .....	2
15	FP-015-05	Elbow – Pipe $\frac{1}{4}$ x 90 Deg. ....	1
16	FP-047-24	Fitting – Tube $\frac{1}{4}$ TBG x $\frac{1}{4}$ MPT .....	1



PL-56709

**STEAM HEADER**

**STEAM HEADER**

ILLUS. PL-56709	PART NO.	NAME OF PART	AMT.
1	FP-041-50	Pipe 3/4 x 1 3/8 .....	1
2	FP-015-23	Elbow – Pipe 3/4 x 90 Deg. ....	1
3	FP-041-66	Pipe 3/4 x 3 .....	1
4	FP-015-23	Elbow – Pipe 3/4 x 90 Deg. ....	1
5	FP-041-50	Pipe 3/4 x 1 3/8 .....	1
6	FP-019-28	Tee – Pipe 3/4 x 3/4 x 3/4 .....	1
7	FP-041-50	Pipe 3/4 x 1 3/8 .....	1
8	FP-015-23	Elbow – Pipe 3/4 x 90 Deg. ....	1
9	FP-028-19	Plug – Pipe 3/4 .....	1
10	FP-041-50	Pipe 3/4 x 1 3/8 .....	1
11	FP-081-73	Union – Pipe Straight Female Teflon O-Ring .....	1
12	FP-041-54	Pipe 3/4 x 2 .....	1
13	00-880026	Valve – Relief 3/4 In. 8 PSI .....	1
14	00-880016-00011	Trap – 1/2 In. Radiator .....	1
15	FP-012-22	Fitting – Tube 3/4 TBG x 3/4 MPT .....	1
16	FP-019-28	Tee – Pipe 3/4 x 3/4 x 3/4 .....	1
17	FP-041-50	Pipe 3/4 x 1 3/8 .....	1
18	FP-015-23	Elbow – Pipe 3/4 x 90 Deg. ....	1
19	FP-027-22	Bushing – Pipe 3/4 to 1/2 .....	1
20	FP-047-24	Fitting – Tube 1/4 TBG x 1/4 MPT .....	1
21	FP-027-07	Bushing – Pipe 1/2 to 1/4 .....	1
22	00-880028	Valve – Pressure Reducing .....	1
23	FP-041-50	Pipe 3/4 x 1 3/8 .....	1
24	FP-019-32	Tee – Pipe 3/4 x 3/4 x 1/2 .....	1
25	FP-087-39	Fitting – Hose 5/8 Hose to 1/2 MPT .....	1
26	FP-041-50	Pipe 3/4 x 1 3/8 (VHL3E Only) .....	1
27	FP-019-32	Tee – Pipe 3/4 x 3/4 x 1/2 (VHL3E Only) .....	1
28	FP-087-39	Fitting – Hose 5/8 Hose to 1/2 MPT (VHL3E Only) .....	1
29	FP-041-50	Pipe 3/4 x 1 3/8 .....	1
30	FP-019-32	Tee – Pipe 3/4 x 3/4 x 1/2 .....	1
31	FP-087-39	Fitting – Hose 5/8 Hose to 1/2 MPT .....	1
32	FP-041-50	Pipe 3/4 x 1 3/8 .....	1
33	FP-041-54	Pipe 3/4 x 2 .....	1
34	FP-019-28	Tee – Pipe 3/4 x 3/4 x 3/4 .....	1
35	FP-027-15	Bushing – Pipe 3/4 to 1/4 .....	1
36	FP-047-24	Fitting – Tube 1/4 TBG x 1/4 MPT .....	1
37	FP-027-07	Bushing – Pipe 1/2 to 1/4 (VHX24E) .....	1
38	00-880016-00011	Trap – 1/2 In. Radiator (VHX24E) .....	1
39	FP-027-22	Bushing – Pipe 3/4 to 1/2 (VHX24E) .....	1
40	FP-015-23	Elbow – Pipe 3/4 x 90 Deg. (VHX24E) .....	1
41	FP-041-50	Pipe 3/4 x 1 3/8 (VHX24E) .....	1
42	FP-028-19	Plug – Pipe 3/4 (VHX24E) .....	1
43	FP-019-28	Tee – Pipe 3/4 x 3/4 x 3/4 (VHX24E) .....	1
44	FP-041-50	Pipe 3/4 x 1 3/8 (VHX24E) .....	1

