

VULCAN

CATALOG OF REPLACEMENT PARTS

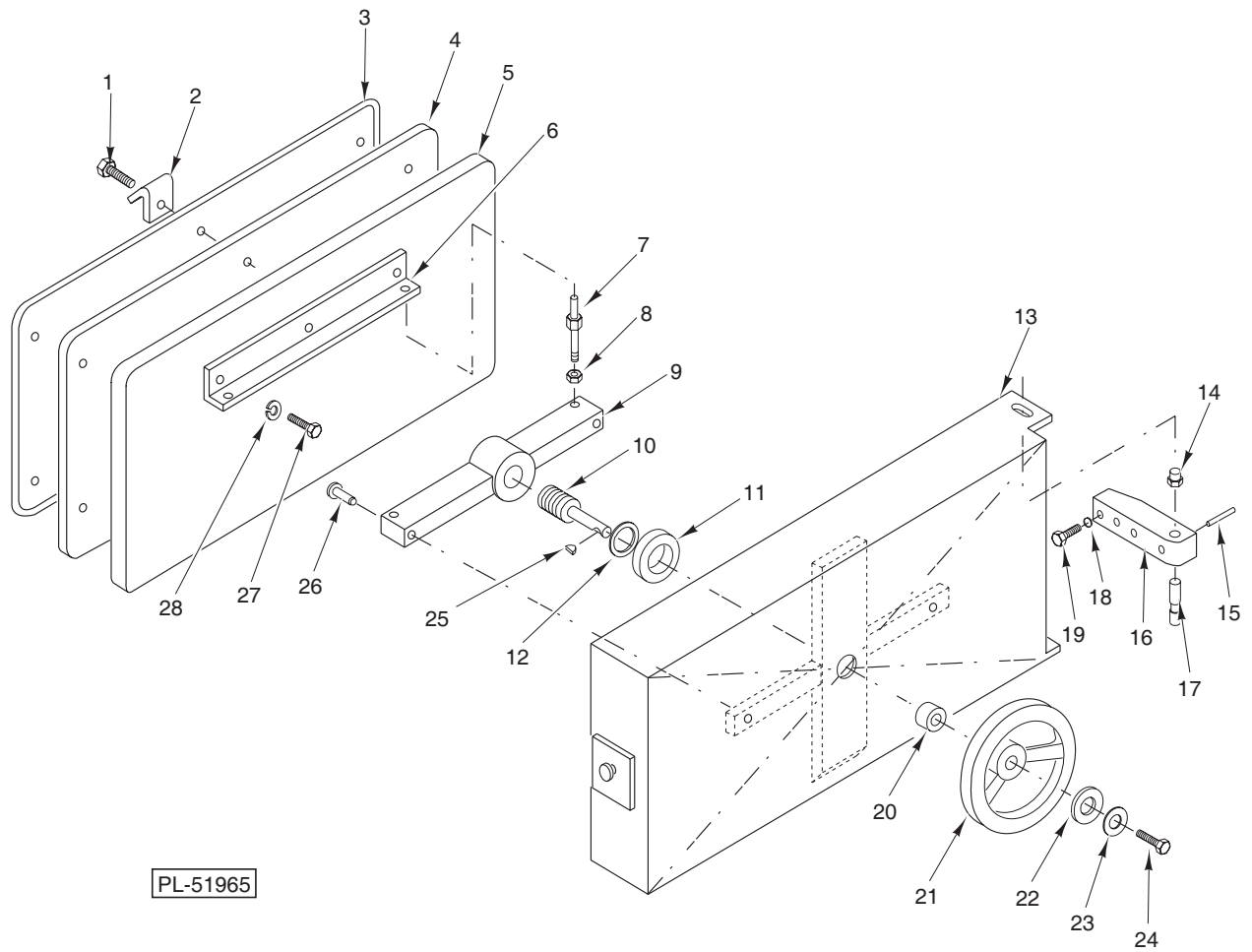
VGDA GAS STEAMERS

MODELS

VGDA2	ML-103560
VGDA3	ML-103561



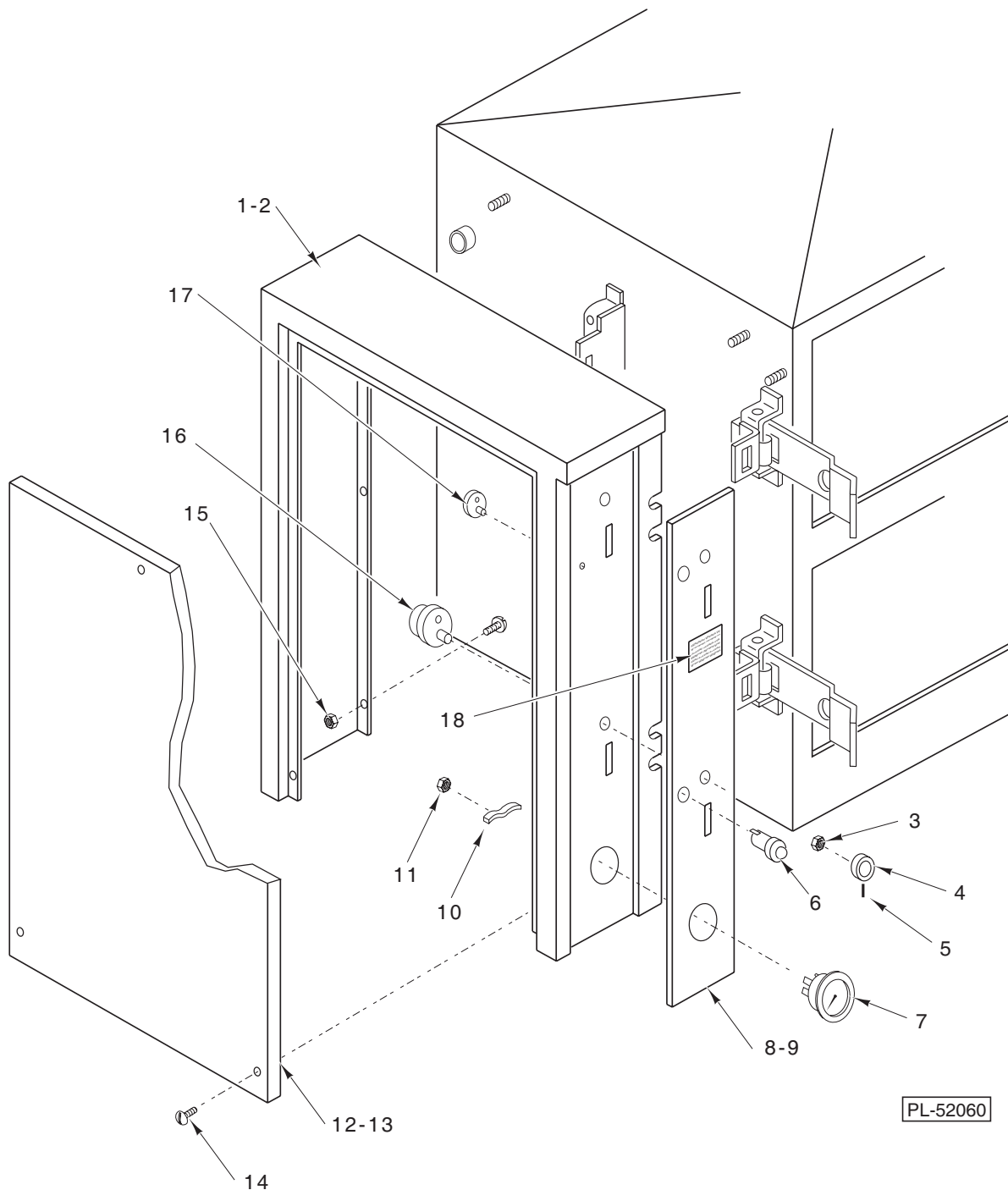
For additional information on Vulcan-Hart or to locate an authorized parts and service provider in your area, visit our website at www.vulcanhart.com



DOOR COMPARTMENT

DOOR COMPARTMENT

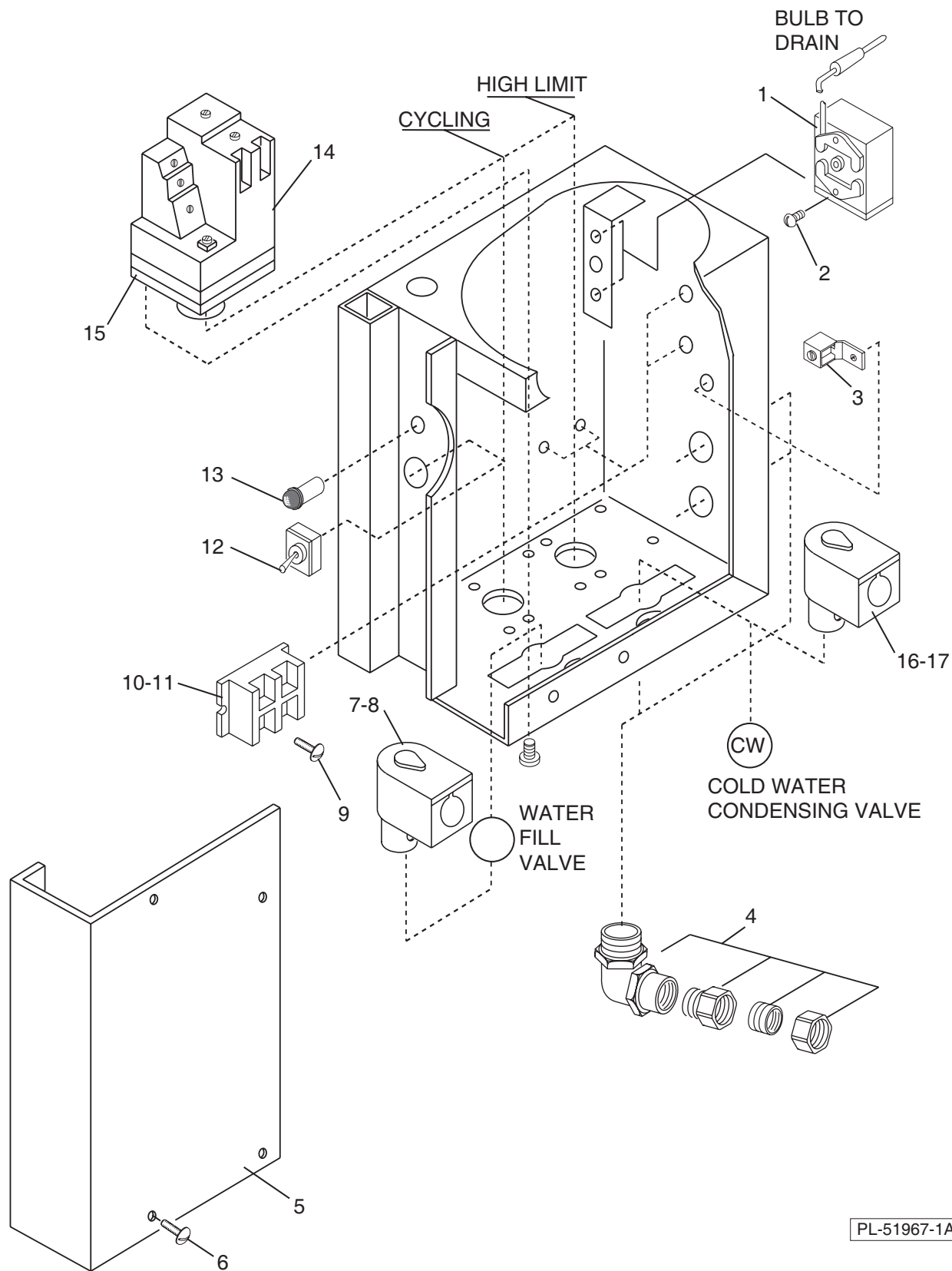
ILLUS. PL-51965	PART NO.	NAME OF PART	AMT.
1	00-842933	Screw - Gasket & Support Angle	8
2	00-842934	Hook - Finger	2
3	00-842935	Gasket - Panel	1
4	00-842936	Gasket - Door	1
5	00-842937	Plate - Aluminum	1
6	00-842939	Angle - Support	1
7	00-842940	Screw - Alignment	2
8	NS-015-16	Nut	2
9	00-841752	Bar - Thrust	1
10	00-843966	Screw - Thrust	1
11	00-854350	Bearing - Thrust Bar	1
12	00-850121	Clip - Bearing	1
13	00-842945	Door - Compartment	1
14	00-842946	Bushing - Bronze	2
15	00-840500	Pin - Tension	2
16	00-842948	Hinge	2
17	00-842949	Pin - Hinge	2
18	00-842950	"O" Ring	6
19	00-842951	Screw - Hinge	6
20	00-844421	Bushing	1
21	00-841757	Handwheel	1
22	00-842954	Washer	1
23	00-842955	Label - Open/Close	1
24	00-842956	Screw - Handwheel	1
25	00-842957	Key - Thrust Screw	1
26	00-842959	Screw - Shoulder	2
27	00-842933	Screw - Gasket & Support Angle	3
28	WL-006-35	Lockwasher 1/2 Light	3
	00-850029	Compartment Door Assy. (Incls. items 1 thru 14 & 20 thru 28)	1



COOKER CONTROLS

COOKER CONTROLS

ILLUS. PL-52060	PART NO.	NAME OF PART	AMT.
1	00-842928	Enclosure - Cooker Control (2 Compartment)	1
2	00-842929	Enclosure - Cooker Control (3 Compartment)	1
3	00-842917	Nut - Timer	AR
4	00-881995	Knob - Timer	AR
5	00-842919	Set Screw - Knob	AR
6	00-840507	Light - Pilot (Green)	AR
7	00-844003	Pressure Gauge	1
8	00-842921	Label - Cooker Instruction (2 Compartment)	1
9	00-842922	Label - Cooker Instruction (3 Compartment)	1
10	00-842924	Bracket - Gauge Fastening	2
11	00-842925	Nut - Pressure Gauge	2
12	00-842930	Cover - Cooker Enclosure (2 Compartment)	1
13	00-842931	Cover - Cooker Enclosure (3 Compartment)	1
14	00-842932	Screw - Enclosure Cover	3
15	00-842958	Nut - Cooker Enclosure Mounting	AR
16	00-841736	Timer	1
17	00-842927	Buzzer	1
18	00-841960	Switch - Pressureless Mode	1

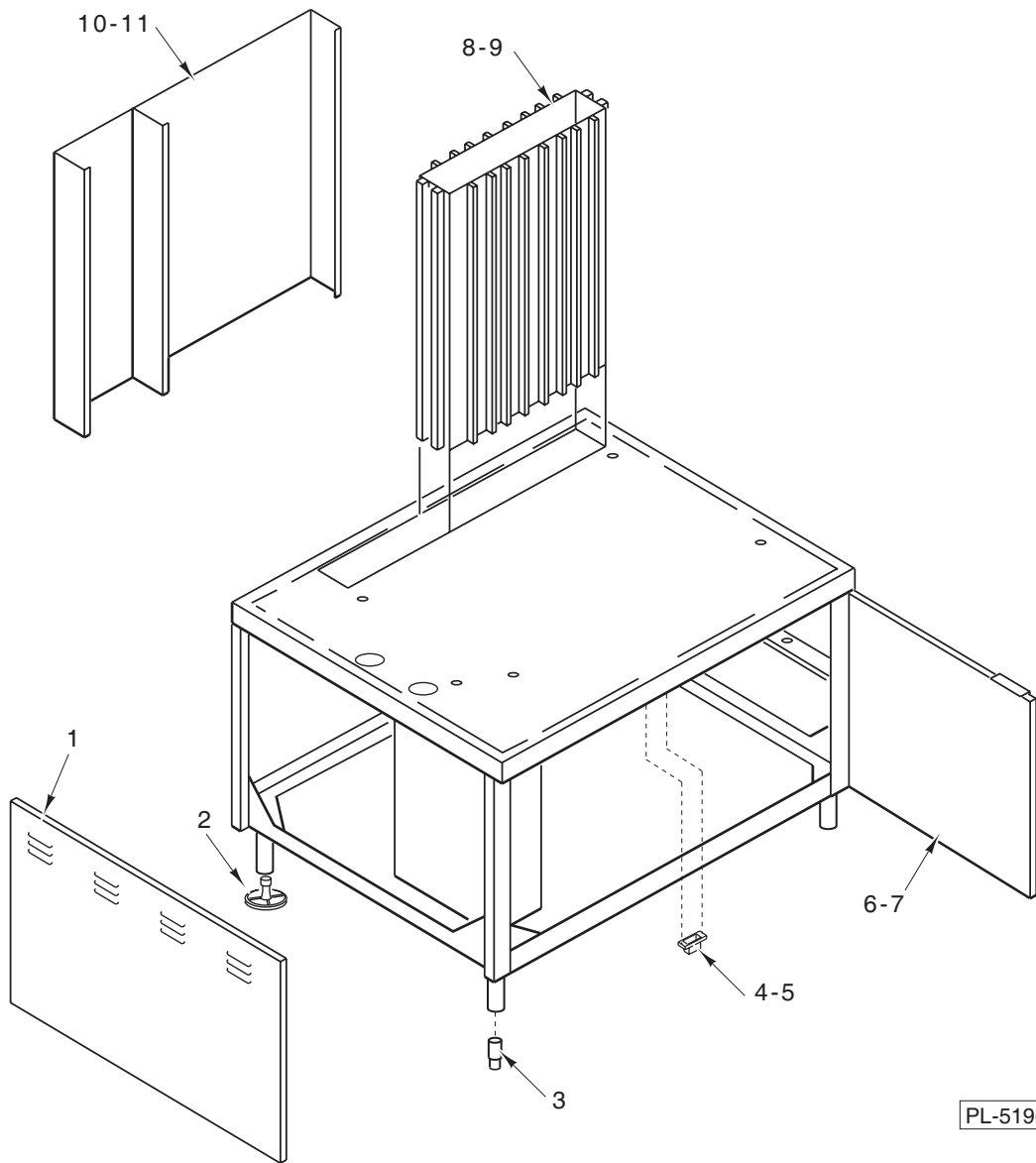


PL-51967-1A

CONTROL BOX COMPONENTS

CONTROL BOX COMPONENTS

ILLUS. PL-51967-1A NO.	PART	NAME OF PART	AMT.
1	00-840525	Thermostat - Drain	1
2	00-840579	Screw - Thermostat	2
3	00-844367-00008	Lug - Ground	1
4	00-850063	Elbow	3
5	00-840527	Cover - Control Box	1
6	00-840580	Bolt - Cover	4
7	00-840509	Solenoid Valve (Water Cooling)(8 & 10 Burner Units)	1
8	00-853339	Solenoid Valve (Water Cooling)(5 Burner Units)	1
9	00-840581	Screw - Terminal Block	4
10	00-840511	Block - Terminal	2
11	00-843969	End Section (Terminal Block)	1
12	00-840508	Switch - Power	1
13	00-840507	Light - Pilot (Green)	1
14	00-851814	Switch - Pressure / Transducer	2
15	00-850074	Bolt - Pressure Switch	8
16	00-843784	Valve - Solenoid (Water Fill)(8 to 10 Burner Units)	1
17	00-840509	Valve - Solenoid (Water Fill)(5 Burner Units)	1
CALIFORNIA CODE UNITS – GAS BOILERS 14,000, 200,000 & 250,000 BTU			
	00-850099	Switch	1
	00-843783	Switch - Low Water Shut Off	1
	00-850069	Relay	1
	00-844367-00055	Light - Pilot (Red)	1
	00-844090	Light - Pilot (Amber)	1
	00-840507	Light - Pilot (Green)	1
	00-850562	Probe - Low Water Shut-Off Switch	1

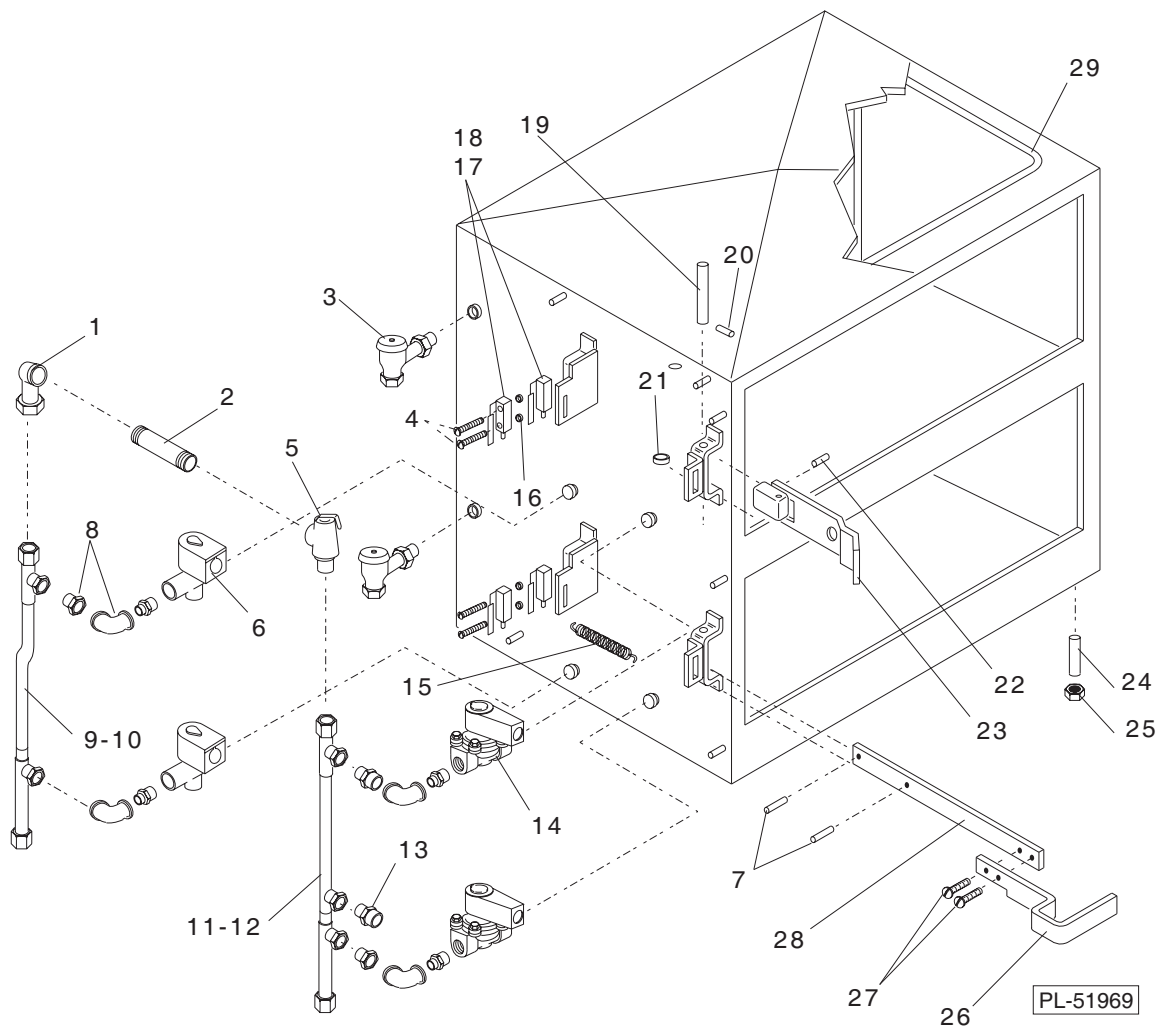


PL-51968-1

CABINET

CABINET

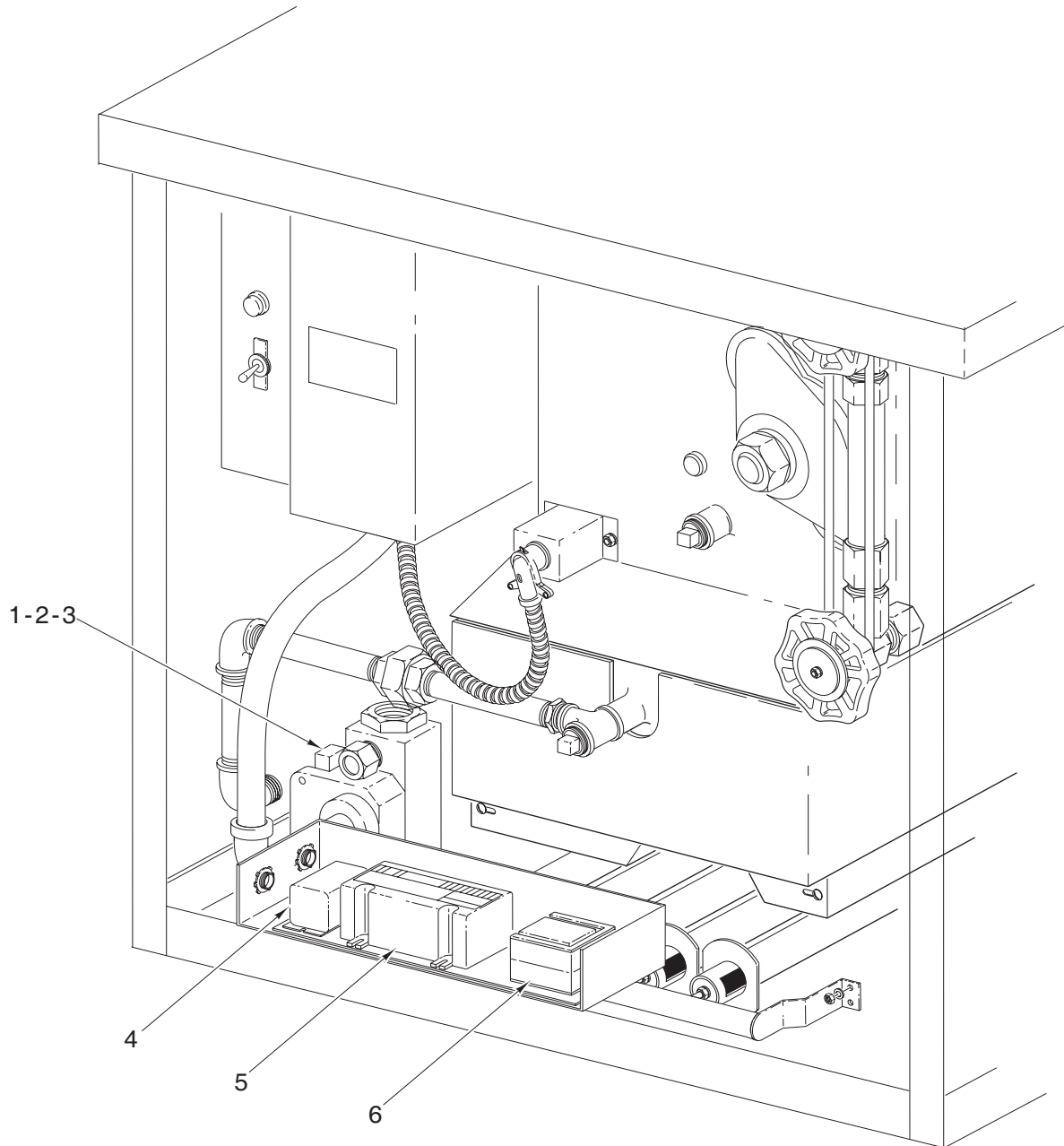
ILLUS. PL-51968-1	PART NO.	NAME OF PART	AMT.
1	00-840569	Panel - Side	2
2	00-850070	Foot - Flanged Adjustable (Rear)	2
3	00-850071	Insert - Adjustable Foot (Front)	AR
4	00-840589	Catch - Magnetic Door	AR
5	00-840570	Screws - Magnetic Door Catch	AR
6	00-840571	Door - Right Hand	1
7	00-840572	Door - Left Hand (Not Shown)	1
8	00-840573	Stack - Flue (2 Compartment)	1
9	00-840574	Stack - Flue (3 Compartment)	1
10	00-840575	Cover - Stack (2 Compartment)	1
11	00-840576	Cover - Stack (3 Compartment)	1



COOKER COMPARTMENT PLUMBING

COOKER COMPARTMENT PLUMBING

ILLUS. PL-51969	PART NO.	NAME OF PART	AMT.
1	00-842911	Elbow - Header Union	1
2	00-842912	Pipe - Header Connecting	1
3	00-844527	Steam Trap	AR
4	00-850032	Screw - Microswitch	AR
5	00-842913	Valve - Safety Relief (8 P.S.1.)	1
6	00-842902	Valve - Exhaust Solenoid	AR
7	00-842892	Pin - Tension	AR
8	00-842904	Elbow - Union	AR
9	00-842909	Header - Exhaust (2 Compartment)	1
10	00-842910	Header - Exhaust (3 Compartment)	1
11	00-842907	Header - Steam (2 Compartment)	1
12	00-842908	Header - Steam (3 Compartment)	1
13	00-842906	Connector (To Pressure Gauge Tube)	1
14	00-842963	Valve - Steam Solenoid	AR
	00-842905	Valve - Steam Supply (1/2 " NPT) (120/60/1) (2-way NC)	
15	00-842893	Spring - Extension	AR
16	00-850031	Spacer - Microswitch	AR
17	00-844005	Microswitch	AR
18	00-842898	Microswitch (Gas Unit)	AR
19	00-842896	Pin - Hasp	AR
20	00-842895	Clip - Hasp Pin	AR
21	00-843968	Spacer - Hasp Alignment	AR
22	00-836975	Spring - Compression	AR
23	00-842894	Hasp	AR
24	00-842914	Bolt - Cooker Hold Down	4
25	00-842915	Nut	4
26	00-842889	Handle - Operating	AR
27	00-842890	Screw - Operating Handle	AR
28	00-842891	Arm - Operating	AR
29	00-850125	Manifold - Steam	1
	00-850035	Pan Slides (RH/LH)	2
	00-850036	Support - Universal Pan (Center)	1
	00-843943	Shelf - Rack	1

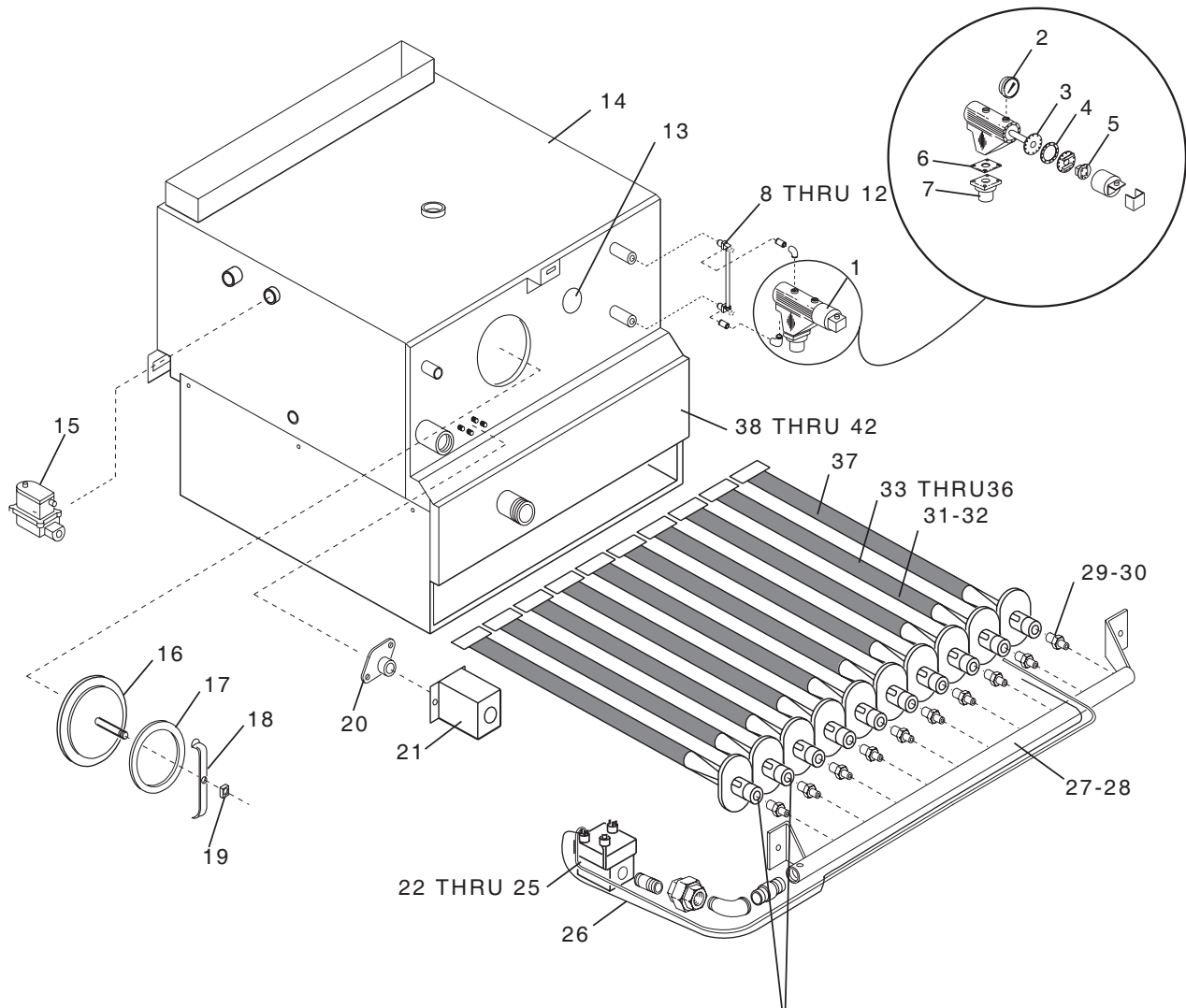


PL-51946

ELECTRONIC IGNITION COMPONENTS

ELECTRONIC IGNITION COMPONENTS

ILLUS. PL-51946	PART NO.	NAME OF PART	AMT.
1	00-845569	Valve - Combination Gas (Nat)	1
2	00-845570	Valve - Combination Gas (LP)	1
3	00-855084	Cable - Ignitor	1
4	00-843947	Relay	1
5	00-417980-00001	Ignition Module	1
6	00-845575	Transformer (120V. to 24V.)	1
	00-845571	Pilot (Nat)	1
	00-845572	Pilot (LP)	1
	00-845576	Control Box	1
	00-845577	Cover - Control Box	1
	00-845578	Bracket - Component Mounting	1



PL-51970A

NOTE: FOR 200,000 BTU
REMOVE TWO BURNERS
AND TWO ORIFICES

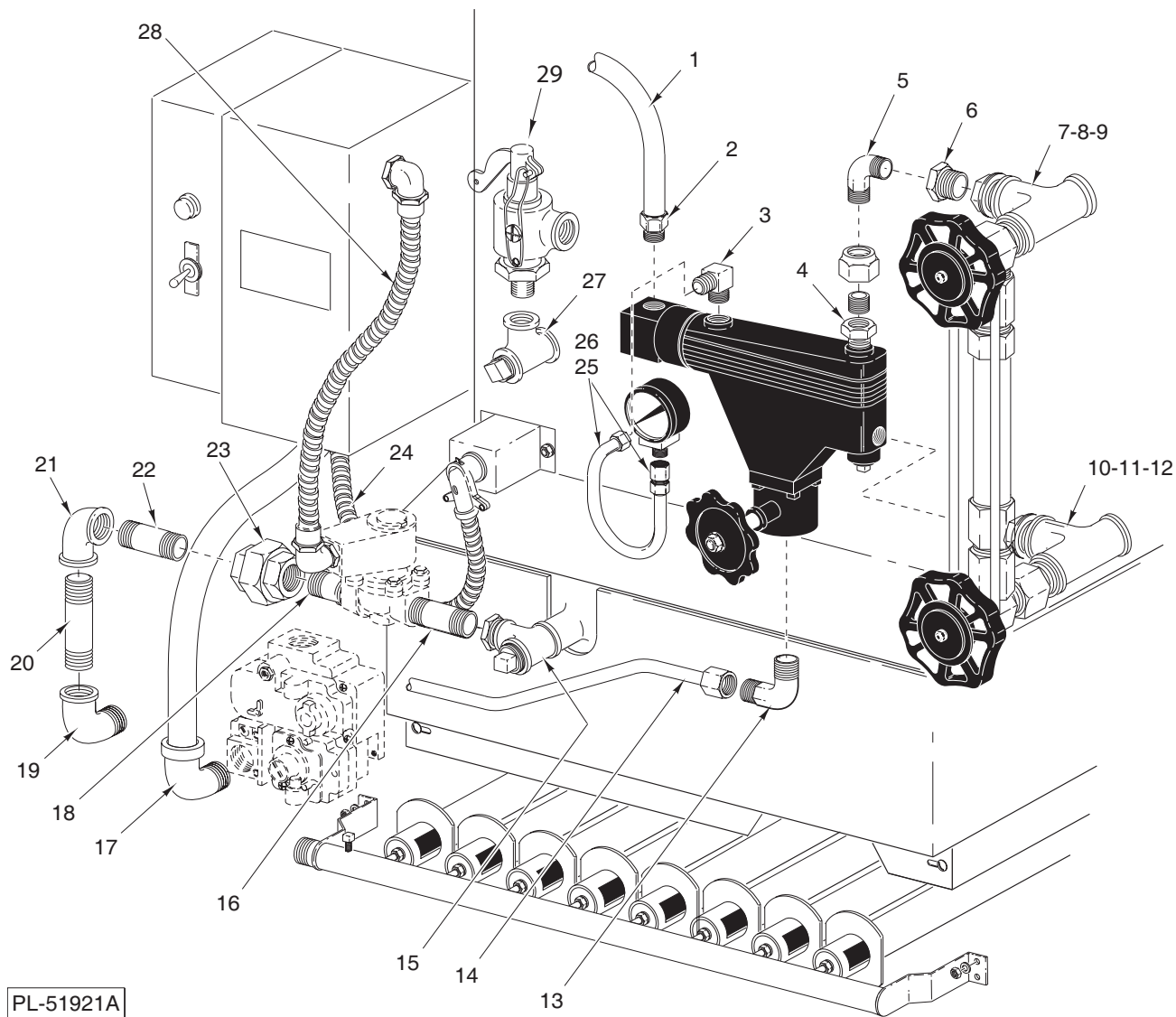
BOILER RATED AT
250,000 BTU/HR

BURNER UNIT

BURNER UNIT

ILLUS. PL-51970A	PART NO.	NAME OF PART	AMT.
1	00-840514	Water Level Control (Incls. items 3 thru 7)	1
2	00-840515	Gauge - Pressure	1
3	00-850107	Float	1
4	00-850414	Gasket (Round)	1
5	00-850106	Switch	1
6	00-850105	Gasket (Square)	1
7	00-850109	Valve - Blowdown	1
8	00-840516	Gauge - Water Level (Glass Assy.)	1
9	00-850101	Gauge - Water	1
10	00-850100	Gauge - Glass Rod	2
11	00-850102	Washer - Rubber	2
12	00-850103	Washer - Brass	2
13	00-880044	Descaler	1
*14	00-843838	Gas Boiler Shell & Flue Assy.	1
15	00-843836	Valve - Override Solenoid	1
16	00-840528	Plate - Hand Hole Cover	1
17	00-840529	Gasket - Hand Hole Cover	1
18	00-840530	Yoke - Hand Hole Cover	1
19	00-850078	Nut - Hand Hole Cover	1
20	00-853105	Sensor - Safety (Hi-Limit Switch)	1
21	00-850165	Cover - Safety Sensor	1
22	00-840534	Valve-Gas (Combination Control)(Nat)(Std.Ignition)	1
23	00-850072	Valve-Gas (Combination Control)(LP)(Std.Ignition)	1
24	00-845569	Valve-Gas (Combination Control)(Nat)(Elec.Ignition)	1
25	00-845570	Valve-Gas (Combination Control)(LP)(Elec.Ignition)	1
26	00-844022	Thermocouple (Std.Ignition)	1
27	00-850095	Manifold - Gas (200 & 250,000 BTU Units)	1
28	00-840533	Manifold - Gas (140,000 BTU Units)	1
29	00-850172	Orifice - Burner (Nat)	AR
30	00-850174	Orifice - Burner (LP)	AR
31	00-840536	Burner-W/Pilot Bracket (Std.Ignition)	AR
32	00-850261	Burner-W/Pilot Bracket (Elec.Ignition)	AR
33	00-843958	Burner-Pilot (Nat)(Std.Ignition)	1
34	00-850429	Burner-Pilot (LP)(Std.Ignition)	1
35	00-845571	Burner-Pilot (Nat)(Elec.Ignition)	1
36	00-845572	Burner-Pilot (LP)(Elec.Ignition)	1
37	00-840535	Burner - W/O Pilot Bracket (Std.)	AR
38	00-850111	Burner Box Assy	1
39	00-850112	Insulation Cover (Top)	1
40	00-850113	Insulation Cover (RH)	1
41	00-850114	Insulation Cover (LH)	1
42	00-850115	Insulation Cover (Front)	1

* When Ordering Replacement Boiler Shells, Include Complete Model and Serial Number.

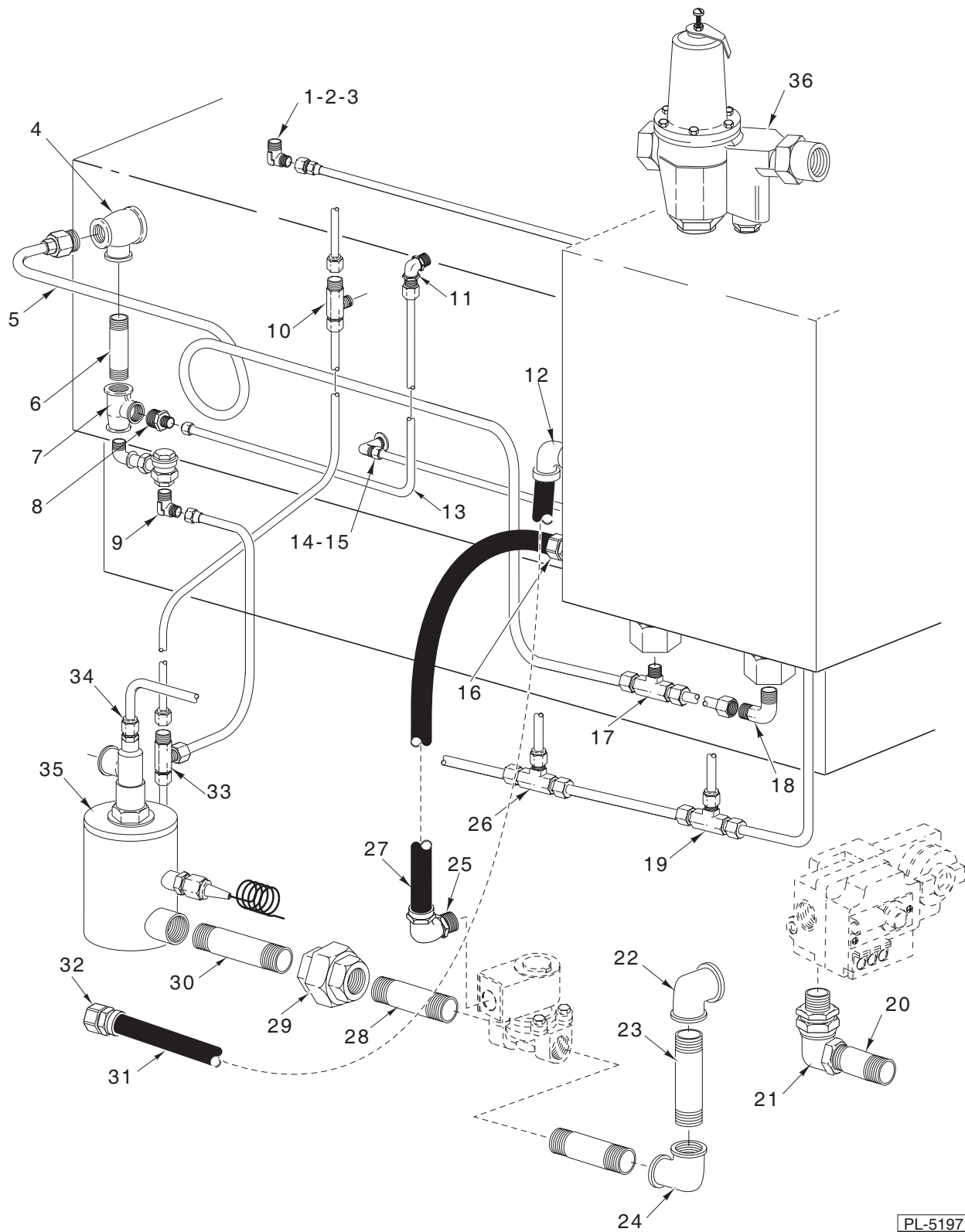


PL-51921A

COMPONENTS (GAS BOILER BASE)

COMPONENTS (GAS BOILER BASE)

ILLUS. PL-51921A	PART NO.	NAME OF PART	AMT.
1	00-510986	Liquid Tite $\frac{3}{8}$ (Per Foot)	AR
2	00-880675	Connector $\frac{3}{8}$ " Straight Sealite	AR
3	FP-012-11	Connector $\frac{1}{4}$ MPT x $\frac{3}{8}$ CC	1
4	FP-012-24	Fitting $\frac{1}{4}$ MPT x $\frac{3}{8}$ TBG	1
5	FP-081-40	Elbow $\frac{3}{8}$ MPT x $\frac{3}{8}$ CC	1
6	FP-025-01	Coupling $\frac{1}{2}$ to $\frac{3}{8}$ Reducing	1
7	FP-019-25	Tee $\frac{1}{2}$ x $\frac{1}{2}$ x $\frac{1}{2}$	1
8	FP-035-91	Pipe $\frac{1}{2}$ x $1\frac{1}{8}$ T.B.E.	1
9	FP-084-39	Union - Pipe $\frac{1}{2}$ STR	1
10	FP-019-25	Tee $\frac{1}{2}$ x $\frac{1}{2}$ x $\frac{1}{2}$	1
11	FP-035-91	Pipe $\frac{1}{2}$ x $1\frac{1}{8}$ T.B.E.	1
12	FP-084-39	Union - Pipe $\frac{1}{2}$ STR	1
13	FP-047-06	Elbow $\frac{3}{8}$ MPT x $\frac{1}{2}$ CC	1
14	00-523138	$\frac{5}{8}$ Copper Tube (Per Foot)	AR
15	FP-019-42	Tee-Pipe 1 x 1 x $\frac{3}{4}$	1
16	FP-036-06	Nipple $\frac{3}{4}$ x $3\frac{1}{2}$ Lg.(T.B.E.)	1
17	FE-007-03	Connector $\frac{3}{8}$ " x 90 Deg. Sealite	AR
18	FP-036-02	Nipple $\frac{3}{4}$ x $2\frac{1}{2}$	1
19	FP-013-22	Elbow $\frac{3}{4}$ x 90 Deg.	1
20	FP-036-06	Nipple $\frac{3}{4}$ x $3\frac{1}{2}$ Lg.(T.B.E.)	1
21	FP-013-22	Elbow $\frac{3}{4}$ x 90 Deg.	1
22	FP-036-06	Nipple $\frac{3}{4}$ x $3\frac{1}{2}$ Lg.(T.B.E.)	1
23	FP-081-73	Union $\frac{3}{4}$	1
24	00-510986	Liquid Tite $\frac{3}{8}$ (Per Foot)	AR
25	00-503487	$\frac{3}{8}$ Copper Tube (Per Foot)	AR
26	FP-086-36	Connector $\frac{3}{8}$ MPT x $\frac{3}{8}$ CC	1
27	FP-019-26	Tee $\frac{3}{4}$ x $\frac{3}{4}$ x $\frac{3}{4}$	1
28	00-510986	Liquid Tite $\frac{3}{8}$ (Per Foot)	AR
29	00-880413	Relief Valve - 15 PSI	1



PL-51971

PLUMBING (BOILER)

PLUMBING (BOILER)

ILLUS. PL-51971	PART NO.	NAME OF PART	AMT.
1	FP-084-51	Elbow - 90 Deg. x $\frac{3}{8}$ FPT	1
2	FP-025-02	Coupling $\frac{3}{8}$ to $\frac{1}{4}$ Reducing	1
3	FP-047-27	Fitting - $\frac{3}{8}$ x $\frac{3}{8}$ MPT (Male Connector)	1
4	FP-085-65	Tee $\frac{3}{4}$ x $\frac{3}{8}$ x $\frac{3}{4}$ Reducing	1
5	00-522653-00002	Tubing - Copper $\frac{1}{4}$	1
6	FP-036-05	Nipple $\frac{3}{4}$ x 3 TBE	1
7	FP-019-33	Tee $\frac{3}{4}$ x $\frac{3}{4}$ x $\frac{1}{2}$ Reducing	1
8	FP-084-46	Fitting - Tube $\frac{5}{8}$ x $\frac{3}{4}$ MPT (Half Union)	1
9	FP-084-53	Fitting - Compression - $\frac{3}{8}$ TBG x $\frac{1}{2}$ MPT	1
10	FP-019-10	Tee $\frac{3}{8}$ x $\frac{3}{8}$ x $\frac{3}{8}$	1
11	FP-084-46	Fitting - Tube $\frac{5}{8}$ x $\frac{3}{4}$ MPT (Half Union)	1
12	FE-007-03	Connector $\frac{3}{8}$ " x 90 Deg. Sealtite	1
13	00-523138	$\frac{5}{8}$ Copper Tube (Per Foot)	1
14	FP-084-53	Fitting - Compression - $\frac{3}{8}$ TBG x $\frac{1}{2}$ MPT	14
15	00-503487	$\frac{3}{8}$ Copper Tube (Per Foot)	1
16	00-880675	Connector $\frac{3}{8}$ " Straight Sealtite	1
17	FP-019-10	Tee $\frac{3}{8}$ x $\frac{3}{8}$ x $\frac{3}{8}$	1
18	FP-012-46	Elbow - $\frac{3}{8}$ MPT x 90 Deg.	1
19	FP-019-10	Tee $\frac{3}{8}$ x $\frac{3}{8}$ x $\frac{3}{8}$	1
20	FP-036-02	Nipple $\frac{3}{4}$ x 2 $\frac{1}{2}$	1
21	FP-084-44	Union - Pipe Elbow $\frac{3}{4}$ x 90 Deg.	1
22	FP-013-22	Elbow $\frac{3}{4}$ x 90 Deg.	1
23	FP-059-65	Pipe $\frac{3}{4}$ x 6 TBE	1
24	FP-013-22	Elbow $\frac{3}{4}$ x 90 Deg.	1
25	FE-007-03	Connector $\frac{3}{8}$ " x 90 Deg. Sealtite	1
26	FP-019-10	Tee $\frac{3}{8}$ x $\frac{3}{8}$ x $\frac{3}{8}$	1
27	00-510986	Liquid Tite $\frac{3}{8}$ (Per Foot)	1
28	FP-036-95	Nipple $\frac{3}{4}$ x 2 TBE	1
29	FP-081-73	Union $\frac{3}{4}$	1
30	FP-036-05	Nipple $\frac{3}{4}$ x 3 TBE	1
31	00-510986	Liquid Tite $\frac{3}{8}$ (Per Foot)	1
32	00-880675	Connector $\frac{3}{8}$ " Straight Sealtite	1
33	FP-019-10	Tee $\frac{3}{8}$ x $\frac{3}{8}$ x $\frac{3}{8}$	1
34	FP-047-27	Fitting - $\frac{3}{8}$ x $\frac{3}{8}$ MPT (Male Connector)	1
35	00-844072	Cooker - Drain	1
36	00-880028	Valve - Pressure Regulating $\frac{3}{4}$ N.P.T.	1