

SCHEMATIC DIAGRAMS

Electric Model

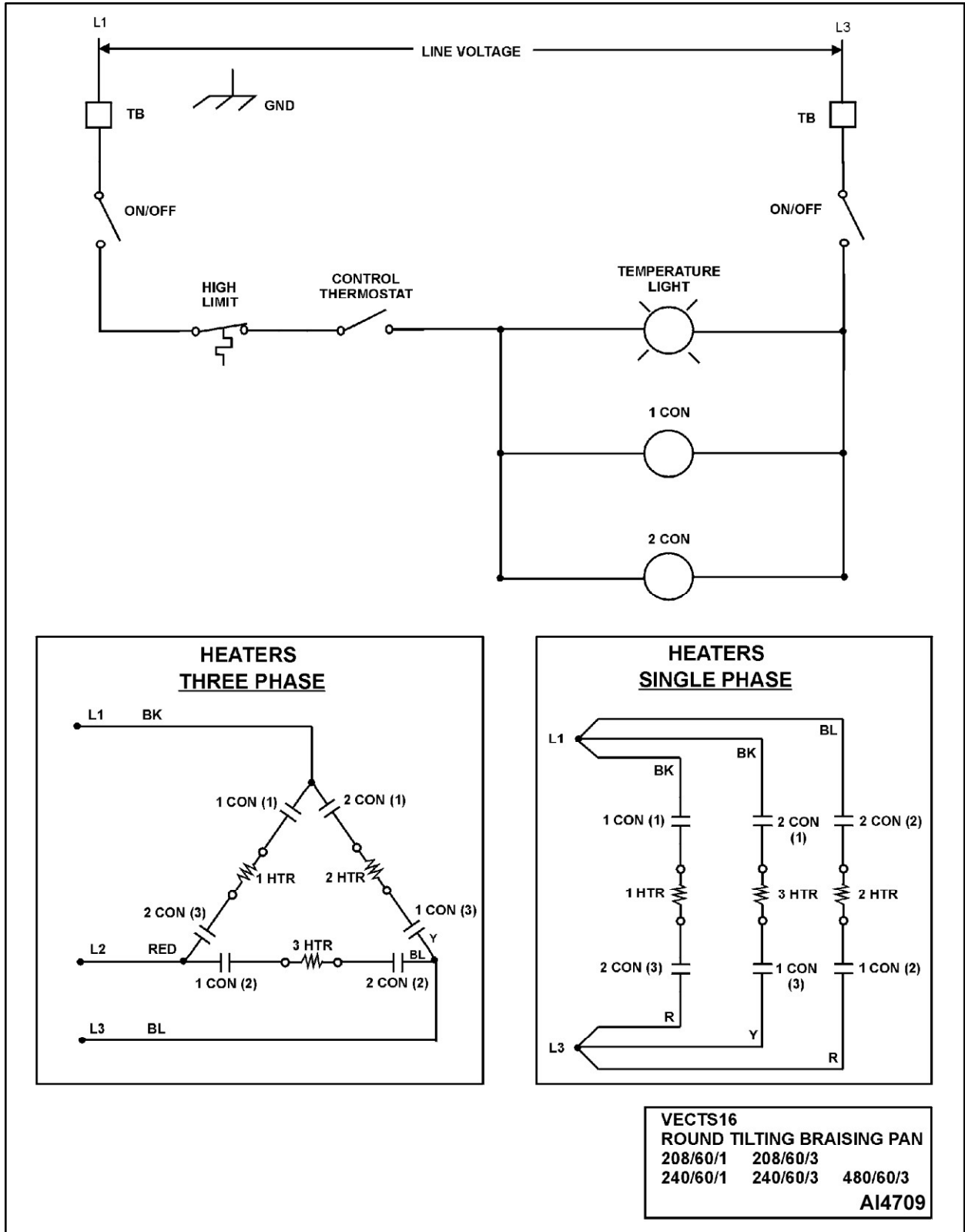


Fig. 23

Gas Model

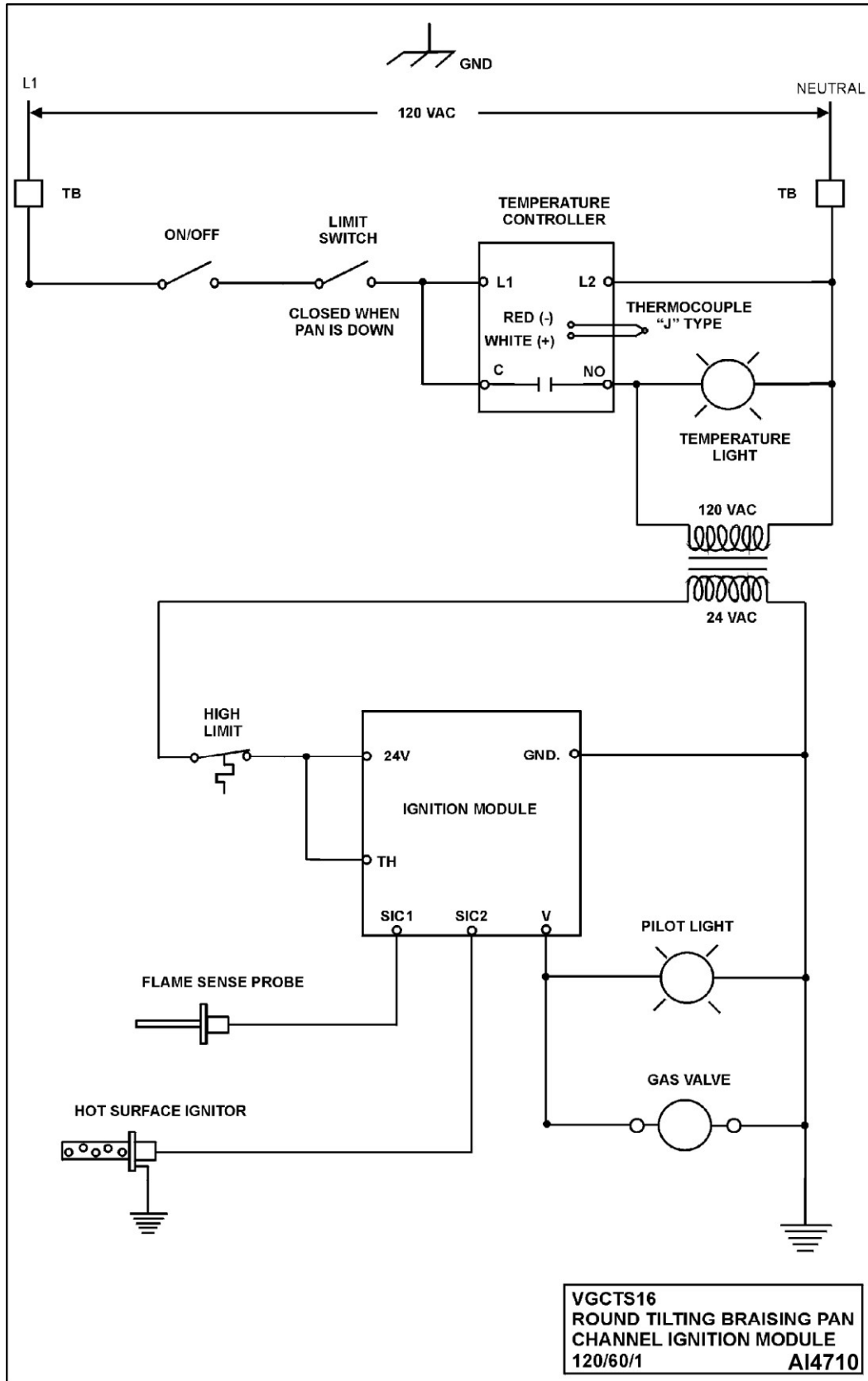


Fig. 24

WIRING DIAGRAMS

Electric Model (208/240V)

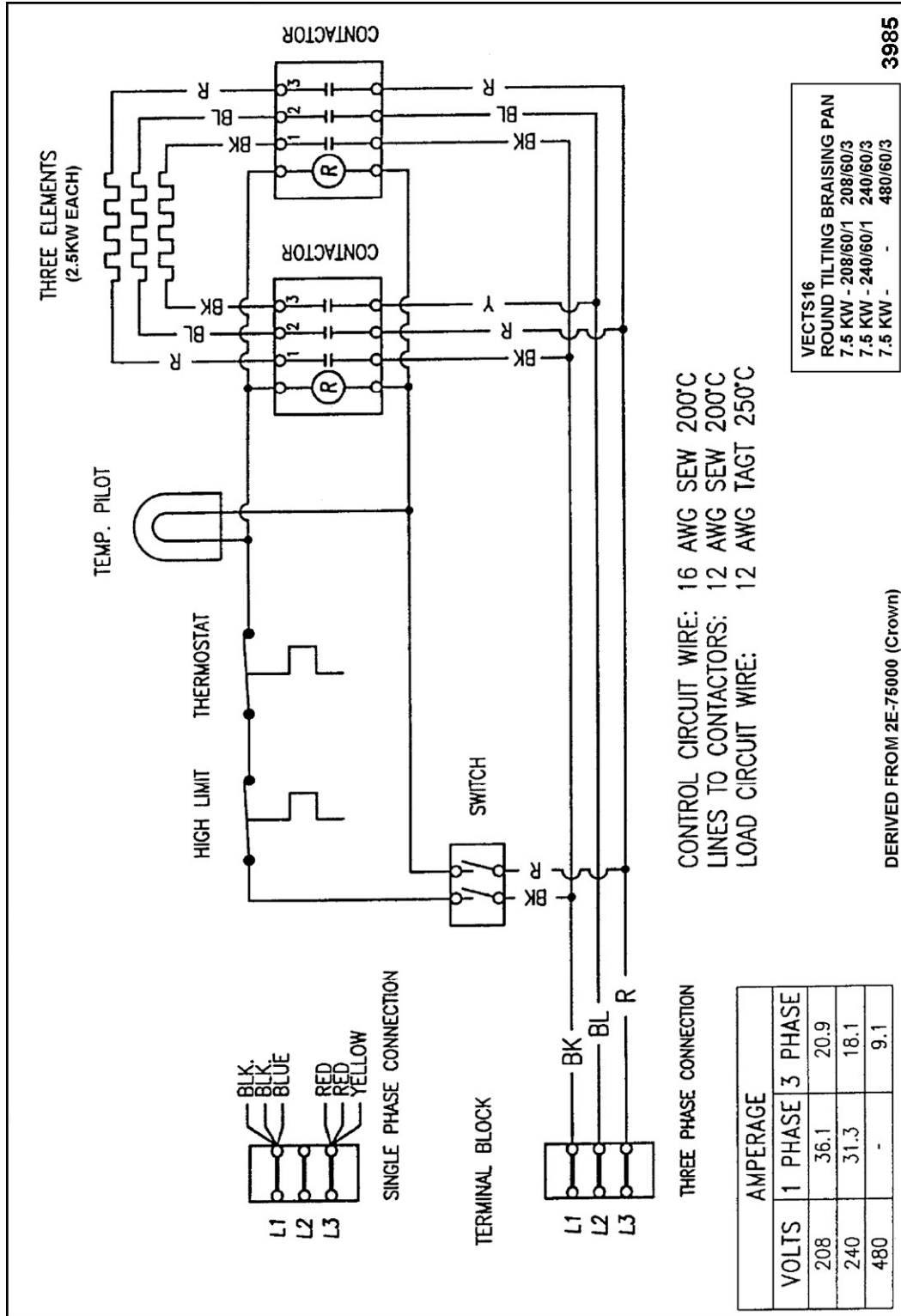


Fig. 25

Electric Model (480V)

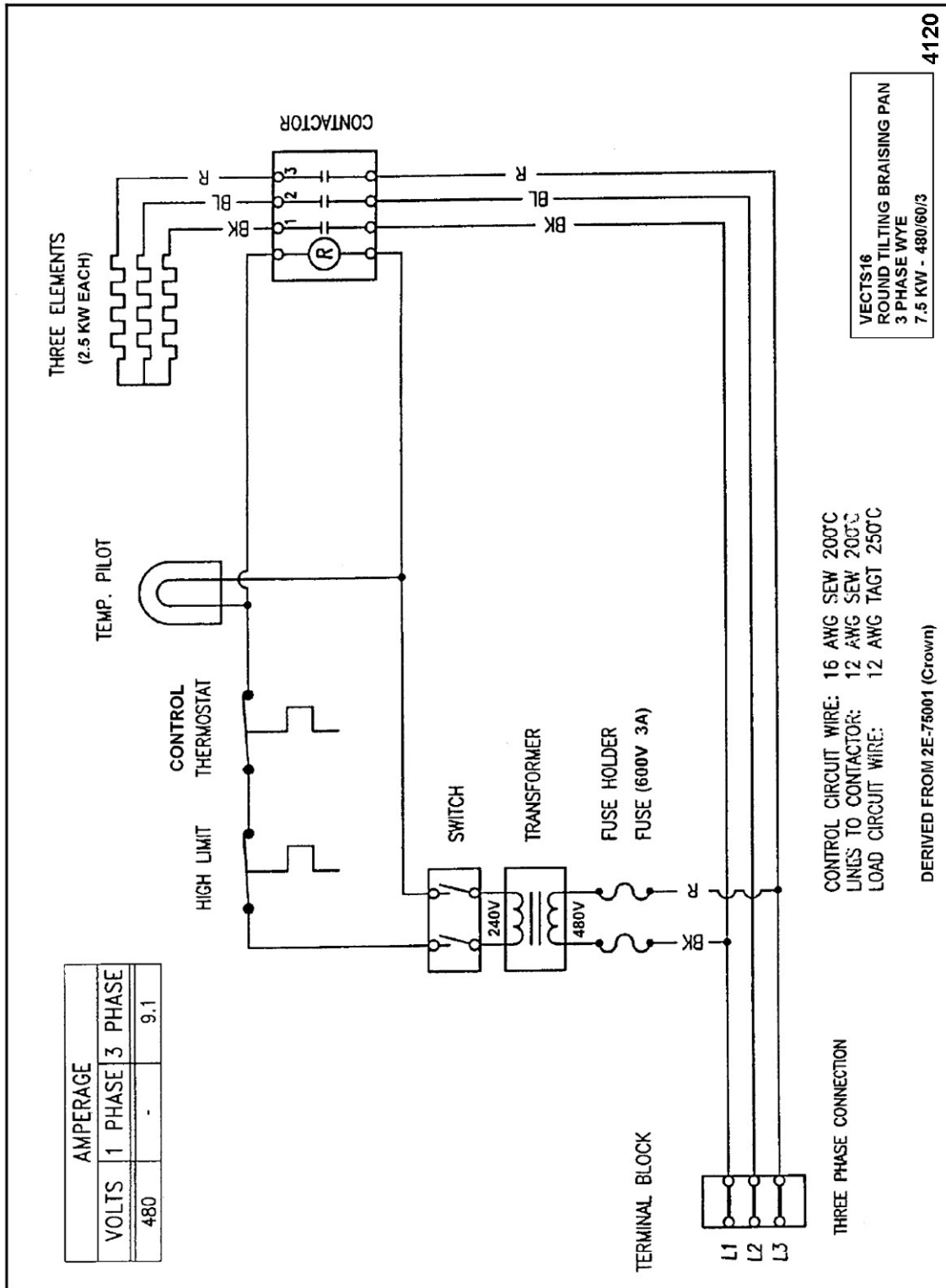


Fig. 26

Gas Model

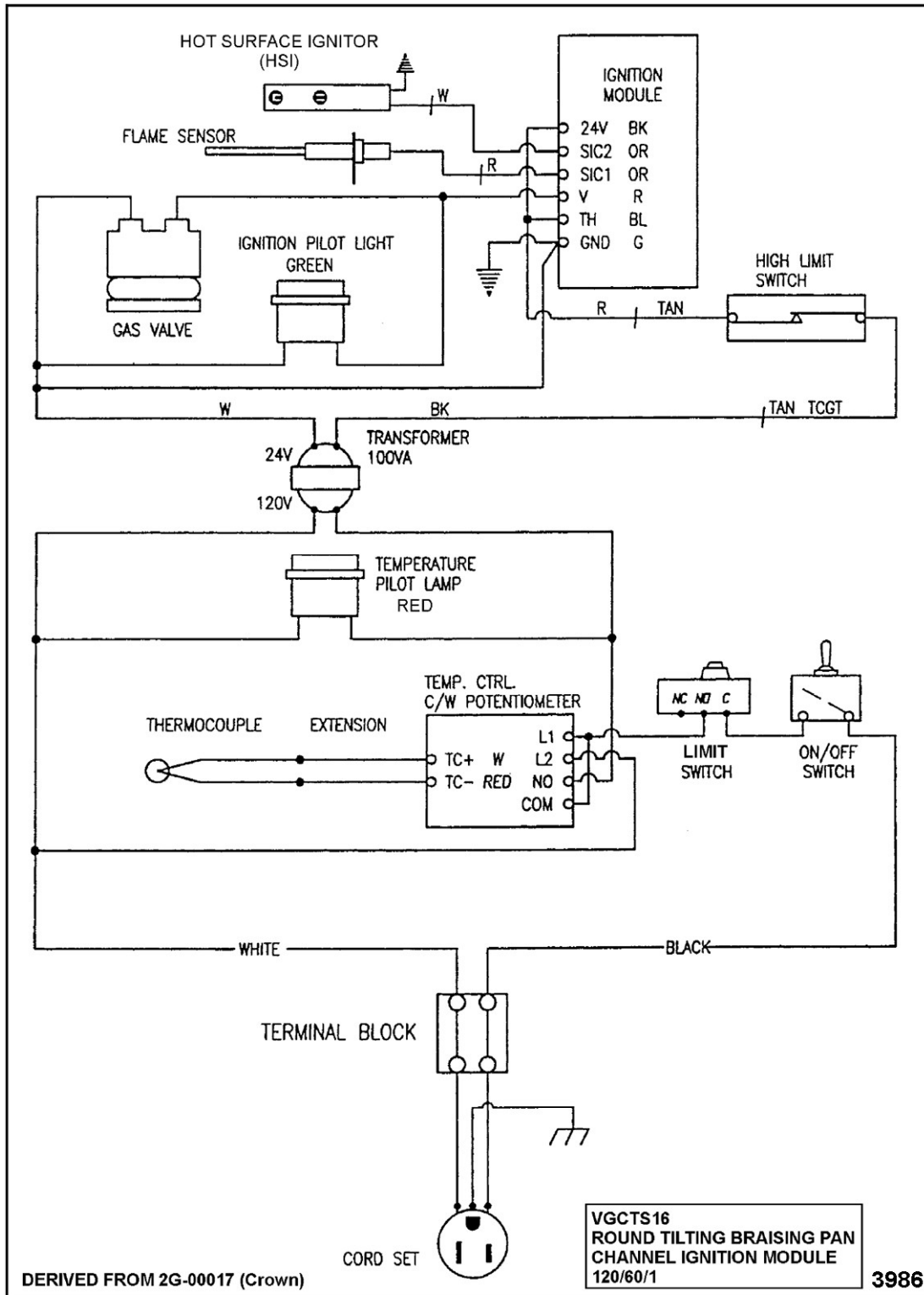


Fig. 27