

VULCAN
CATALOG OF
REPLACEMENT PARTS

*VETS ELECTRIC TILTING
BRAISING PANS*

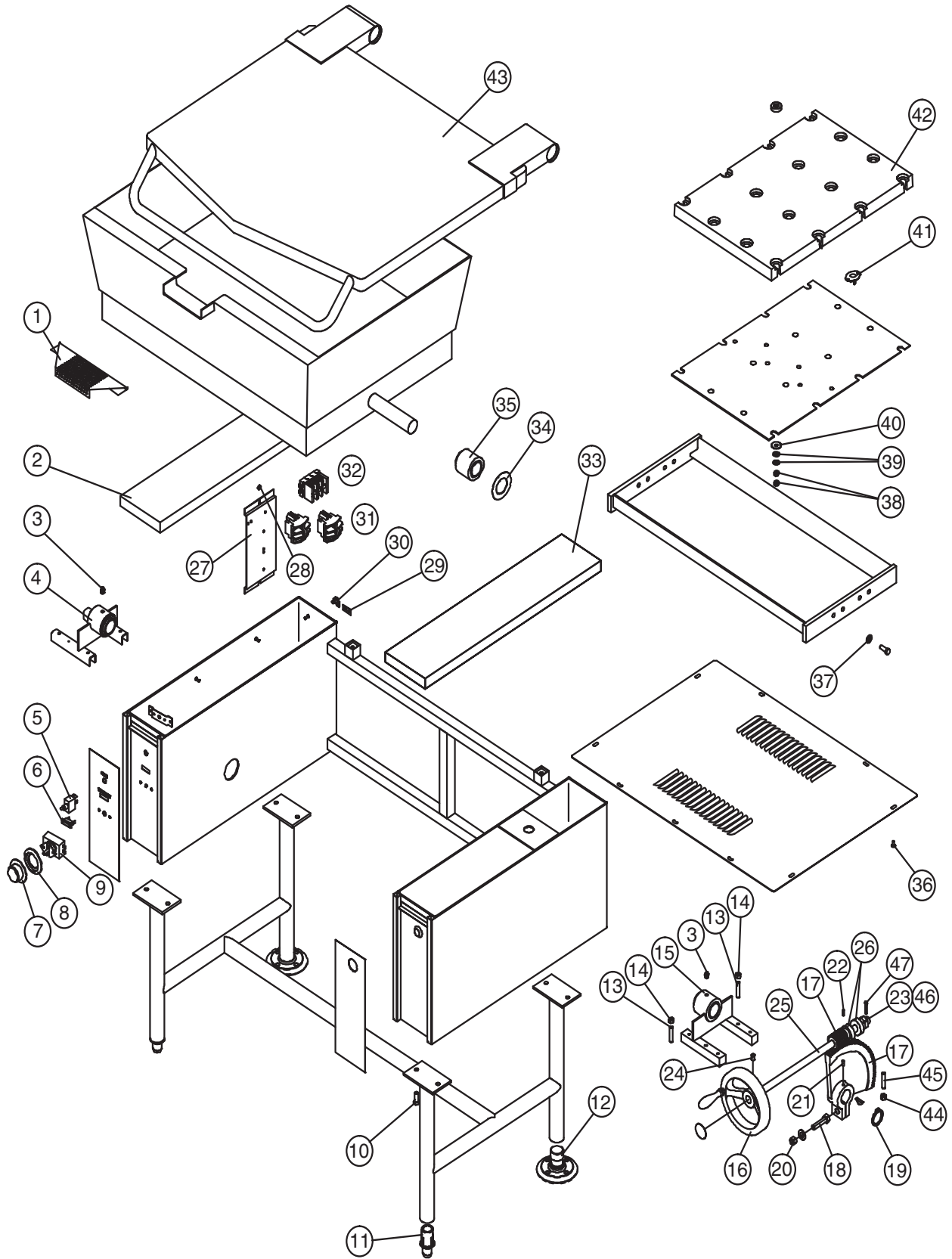
MODEL

*VETS30
VETS40*



For additional information on Vulcan-Hart Company or to locate an authorized parts and service provider in your area, visit our website at www.vulcanhart.com

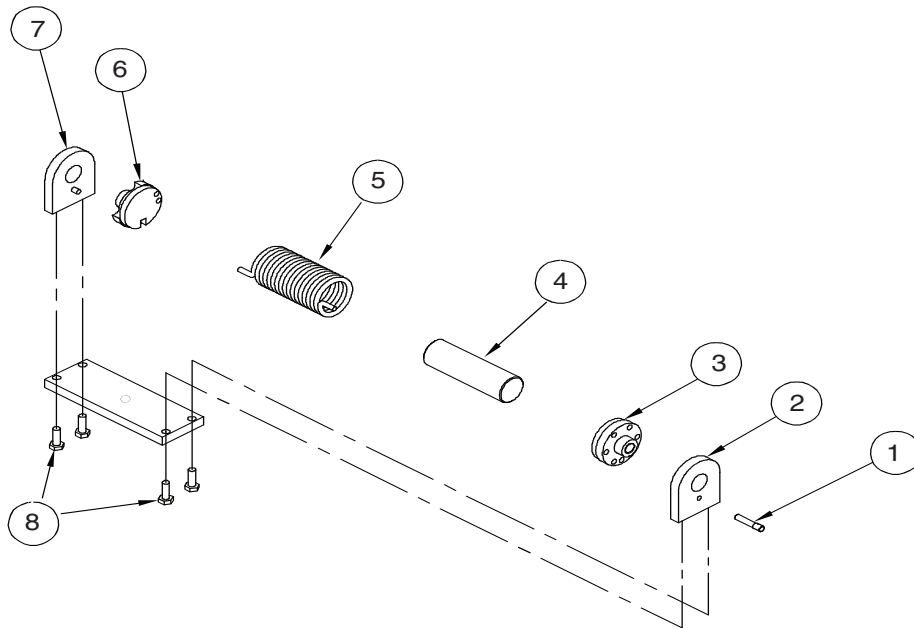
VETS ELECTRIC TILTING BRAISING PANS REPLACEMENT PARTS



C10001-01

REPLACEMENT PARTS LIST

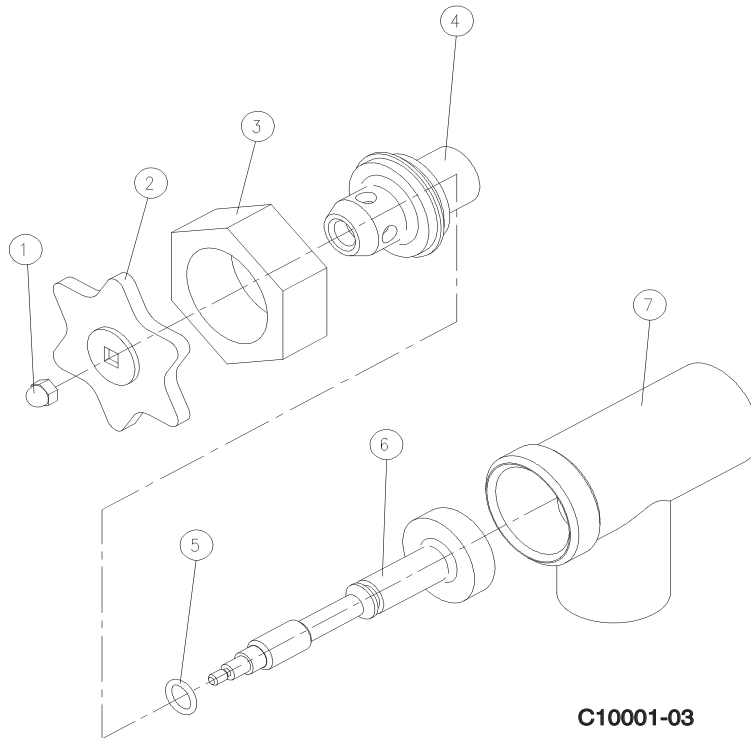
FIGURE C10001-01	PART NO.	NAME OF PART	AMT.	
			VETS30	VETS40
1	00-844115	Strainer (VETS40 Only)	1	1
2	00-854949	Console Cover (LH)	1	1
3	00-854942	Grease Nipple	2	2
4	00-854356	Trunnion Housing Assy. (LH)	1	1
5	00-881970	Power Switch	1	1
6	00-881972	Pilot Light	1	1
7	00-851796	Dial Thermostat (° F)	1	1
	00-851797	Dial Thermostat (° C)	1	1
8	00-844367-00005	Bezel	1	1
9	00-840467	Thermostat	1	1
	00-851367	Clamp, Thermostat Bulb	1	1
10	00-851912	Bolt ³ / ₈ - 16 x 1	8	8
11	00-840590	Adjustable Foot	2	2
12	00-836958	Flanged Adjustable Foot	2	2
13	00-853309	Set Screw ³ / ₈ - 16 x 1 ³ / ₄	2	2
14	00-853310	Nut ³ / ₈ - 16	2	2
15	00-854355	Trunnion Housing Assy. (RH)	1	1
16	00-881962	Hand Wheel	1	1
	00-853550	Handle for Hand Wheel	1	1
17	00-855086	Segment Gear & Worm Gear Kit (Includes 18-22)	1	1
18	00-854946	Bolt ¹ / ₂ - 13 x 2	1	1
19	00-844457	Retaining Clip	1	1
20	00-854944	Nut, Hex ¹ / ₂ - 13	1	1
21	00-853489	Set Screw ¹ / ₄ - 20 x ¹ / ₂	1	1
22	00-836952	Tension Pin ³ / ₁₆ " Diameter x ⁵ / ₈ "	1	1
23	00-844456	Jam Nut ³ / ₈ - 16	2	2
24	00-844458	Set Screw ³ / ₈ - 16 x ¹ / ₂	1	1
25	00-854316	Tilt Shaft	1	1
26	00-881963	Thrust Bearing	2	2
27	00-851352	Component Mounting Plate	1	1
28	00-842925	Hex Nut 10 - 32	1	1
29	00-852016	Earth ID Tag	1	1
30	00-844367-00008	Ground Lug	1	1
31	00-881975	Contactactor (208V, 220V, 240V)	2	2
	00-881975	Contactactor (380V, 416V, 480V)	1	1
	00-881975	Contactactor (220/380V, 240/416V)	1	1
	00-836997	Contactactor (208V, 220V, 240V)	2	2
	00-836997	Contactactor (380V, 416V, 480V)	1	1
32	00-844367-00009	Terminal Block	3	3
	00-844367-00010	End Section	1	1
33	00-850091	Console Cover (RH)	1	1
	00-853211	Console Cover Faucet Mounting (RH)	1	1
34	00-850613	Washer	2	2
35	00-854950	Spacer	2	2
36	00-854925	Screw 10 - 32 x ¹ / ₂	9	9
37	00-851911	Lockwasher ³ / ₈	8	8
38	00-853310	Nut ³ / ₈ - 16	56	80
39	00-853935	Bellville Washer	56	80
40	00-854304-00022	Flat Washer ⁵ / ₁₆	28	40
41	00-854453	Hi-Limit	2	3
42	00-840503	Element Block (208V, 9kW)	2	3
	00-840504	Element Block (240/416V, 9kW)	2	3
	00-840547	Element Block (220/380V, 9kW)	2	3
	00-840548	Element Block (480V, 9kW)	2	3
	00-851948	Element Block (600V, 9kW)	2	3
43	00-844367-00001	Pan Cover Assy.	1	1
	00-844367-00002	Pan Cover Assy.	1	1



C10001-02

**HINGE ASSEMBLY
REPLACEMENT PARTS LIST**

FIGURE	PART NO.	NAME OF PART	AMT.
C10001-02			
1	00-836986	Lock Pin	1
2	00-844367-00040	End Lock Plate	1
3	00-854974	Stationary Disc	1
4	00-854975	Core	1
5	00-836990	Spring	1
6	00-854976	Rotary Disc	1
7	00-836993	End Stop Plate	1
8	SC-041-10	Cap Screws	4
	00-844461	Hinge Assy.	1



C10001-03

DRAW-OFF VALVE

REPLACEMENT PARTS LIST

FIGURE C10001-03	PART NO.	NAME OF PART	AMT.		
			1½ " Valve	2" Valve	3" Valve
1	00-836939	Nut	1	1	
	00-836940	Nut			1
2	00-836967	Handle	1	1	
	00-836942	Handle			1
3	00-836943	Hex. Assembly Nut.....	1		
	00-836944	Hex. Assembly Nut.....		1	
	00-836945	Hex. Assembly Nut.....			1
4	00-836946	Bonnet	1		
	00-836947	Bonnet		1	
	00-836948	Bonnet			1
5	00-836966	"O" Ring	1		
	00-836953	"O" Ring		1	
	00-836954	"O" Ring			1
6	00-850218	Disc & Stem Assy.	1		
	00-836950	Disc & Stem Assy.		1	
	00-836951	Disc & Stem Assy.			1
7	00-836955	Valve Body	1		
	00-836956	Valve Body		1	
	00-836957	Valve Body			1

NOTES

NOTES

NOTES