

VULCAN

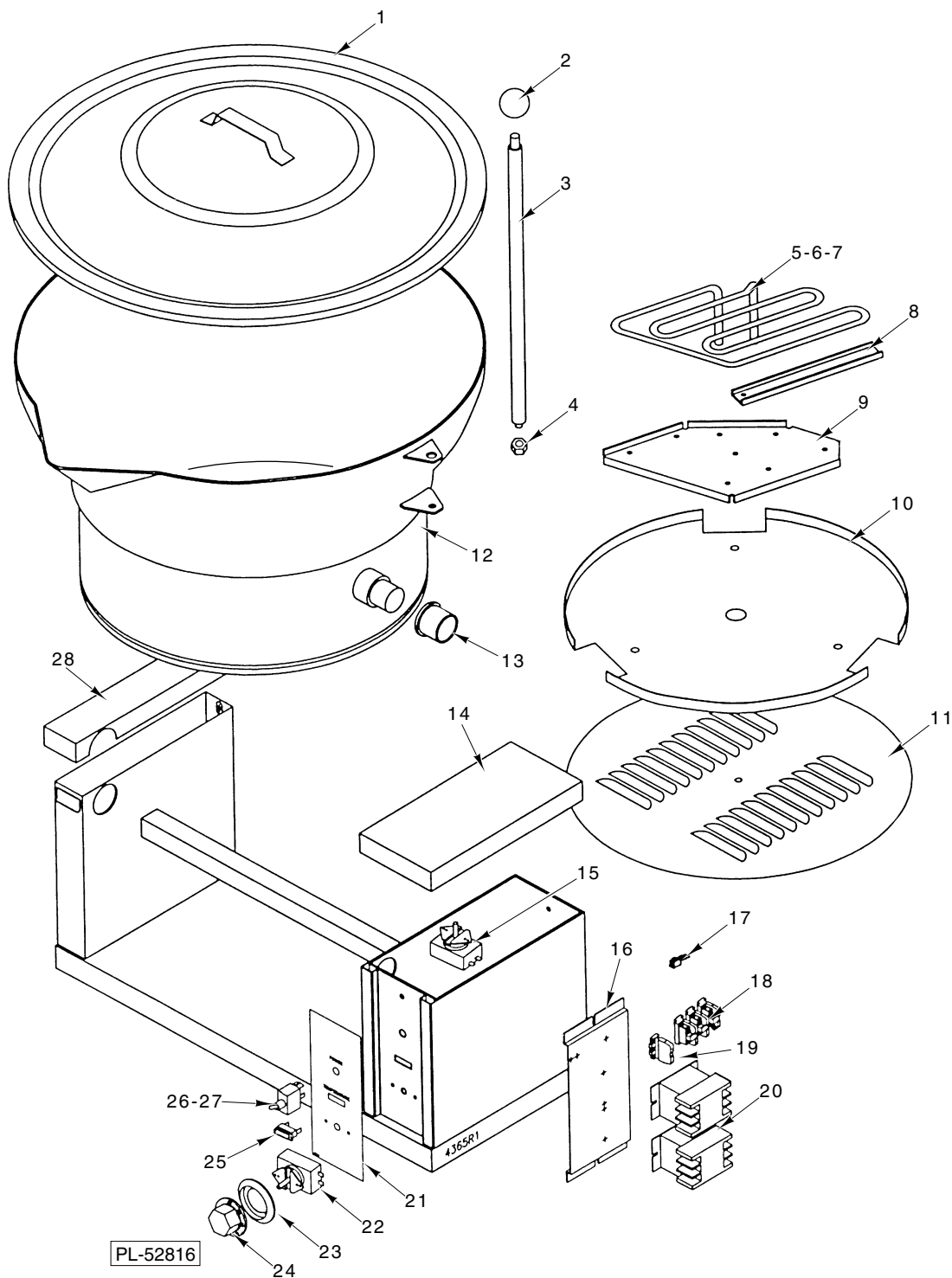
*CATALOG OF
REPLACEMENT PARTS*

TILTING SKILLET

MODEL

VECTS16 ML-114825





TILTING SKILLET ASSEMBLY

TILTING SKILLET ASSEMBLY

ILLUS. PL-52816	PART NO.	NAME OF PART	AMT.
1	00-851370	Cover Assy.	1
2	00-836964	Knob	1
3	00-851372	Handle	1
4	00-851373	Nut - Acorn	1
5	00-851375	Element (208V, 2.5 KW)	3
6	00-851376	Element (240V, 2.5 KW)	3
7	00-851524	Element (277V, 2.5 KW)	3
8	00-851377	Clamp - Capillary	1
9	00-851378	Clamp - Element	1
10	00-851379	Insulation - Pan	1
11	00-851380	Cover - Bottom	1
12	00-851371	Pan Assembly	1
13	00-851374	Bearing	2
14	00-851382	Cover - Console (R.H.)	1
15	00-836832	Thermostat - Hi - Limit	1
16	00-851384	Plate - Compartment Mtg.	1
17	00-844367-00008	Lug - Ground	1
18	00-844367-00051	Block - Terminal (208V. Thru 480V.)	3
19	00-844367-00052	Section - End	1
20	00-881975	Contactora (30 Amp) (208/240/480V.)	2
21	00-851383	Decal - Operation	1
22	00-840467	Thermostat - Operating	1
23	00-844367-00005	Bezel	1
24	00-844063	Dial	1
25	00-881972	Pilot Light (Amber)	1
26	00-851322	Boot - Rubber	1
27	00-881970	Switch - Power	1
28	00-851381	Cover - Console (L.H.)	1
	00-851541	Stand Assy. (Complete W/Sliding Drain Pan)	1
	00-851566	Pan - Sliding Drain	1
	00-850604	Foot - Adjustable	4
	00-851542	Strainer	1
	00-851385	Bracket - Thermostat	1
	00-843994	Transformer (480 Primary)(120V Secondary)(50/60/100VA)	1
	00-844546	Fuse (1 Amp, 600V, 380/416/480V)	2
	00-850489	Block - Fuse (380/415/480V)	2

