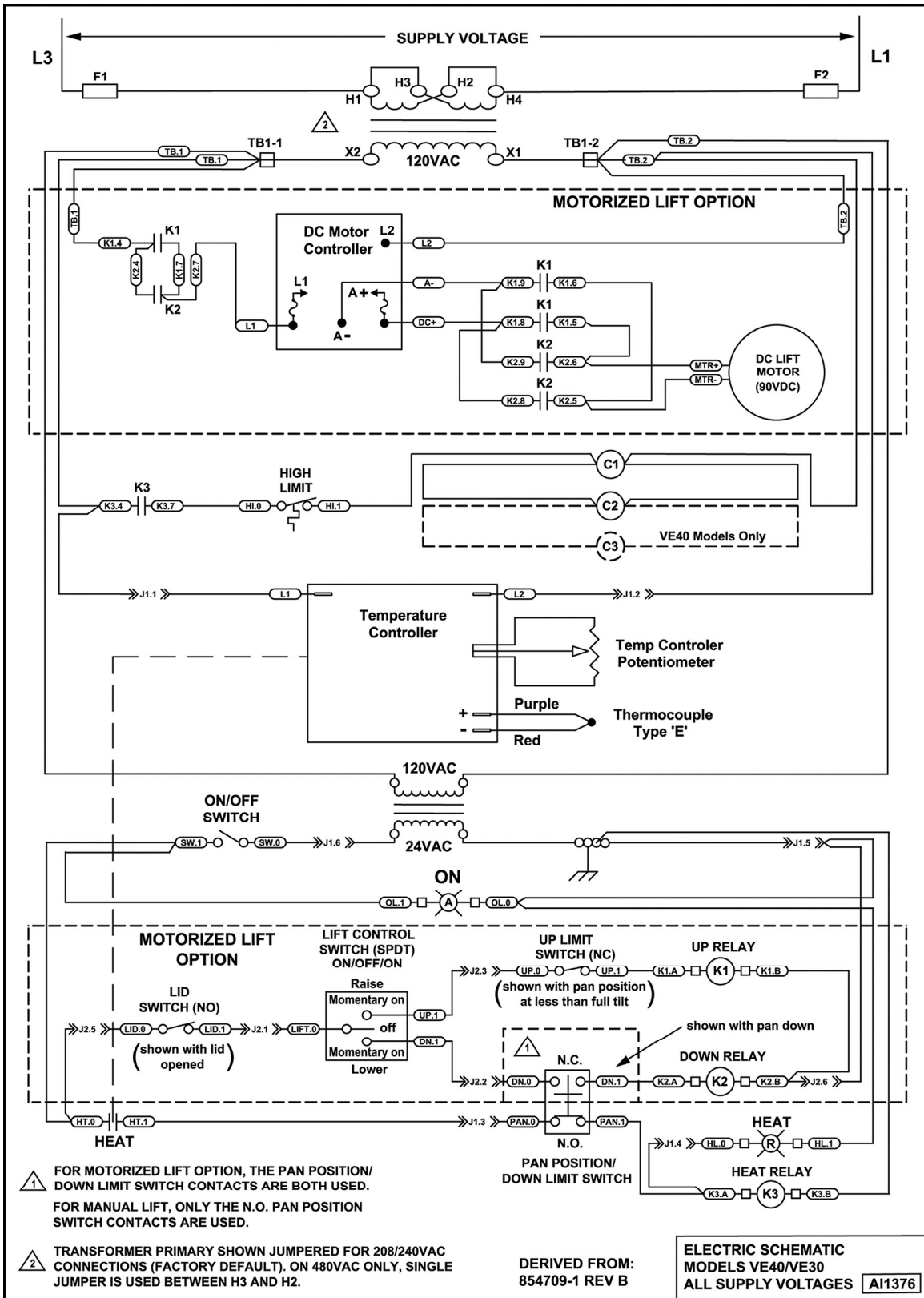
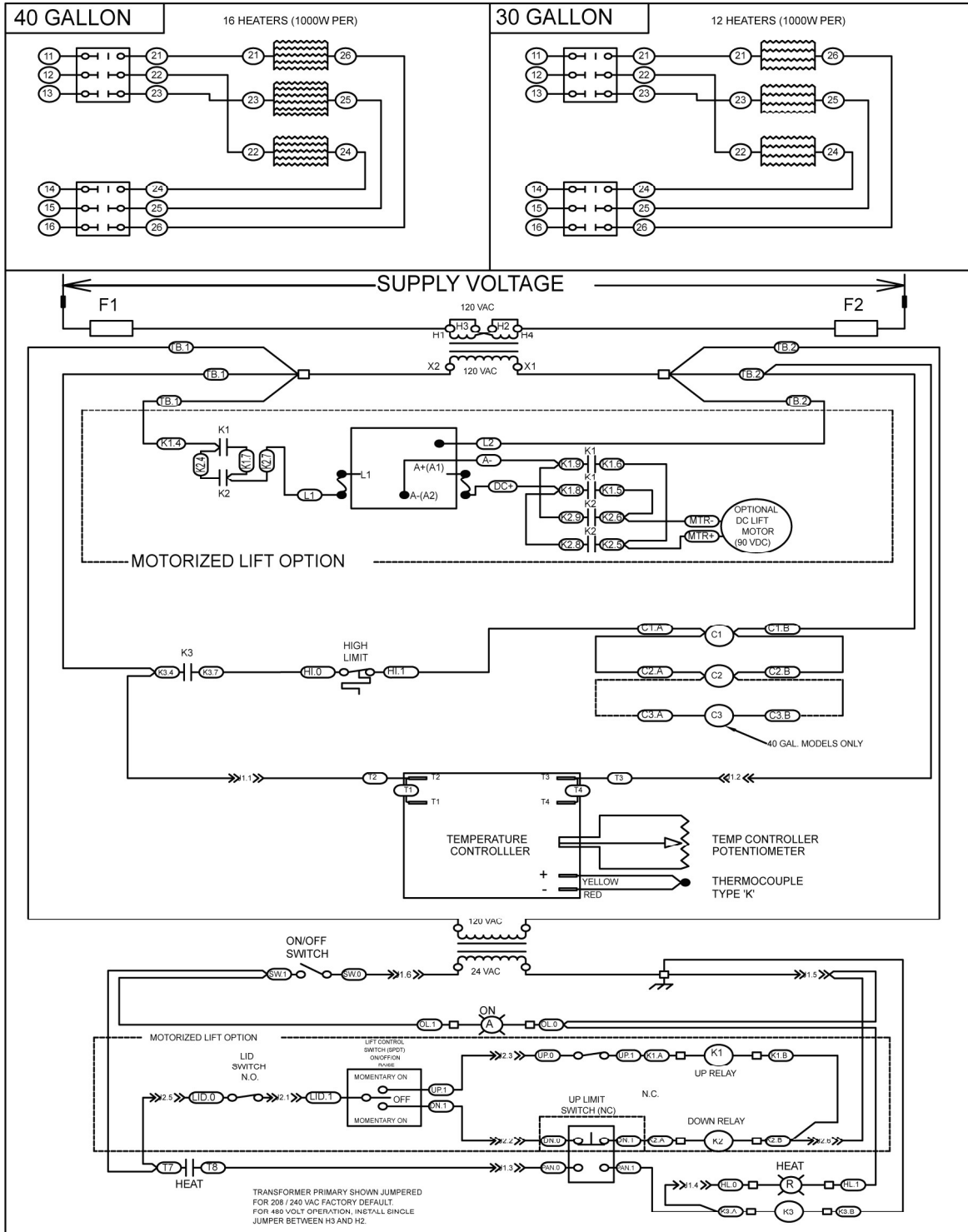


SCHEMATIC DIAGRAM



BRAISING PANS WITH MOTORIZED LIFT OPTION



DERIVED FROM 00-854709-1 REV E

AI4989

VE - FAST BATCH MODELS 2ND GENERATION TEMPERATURE CONTROLLER

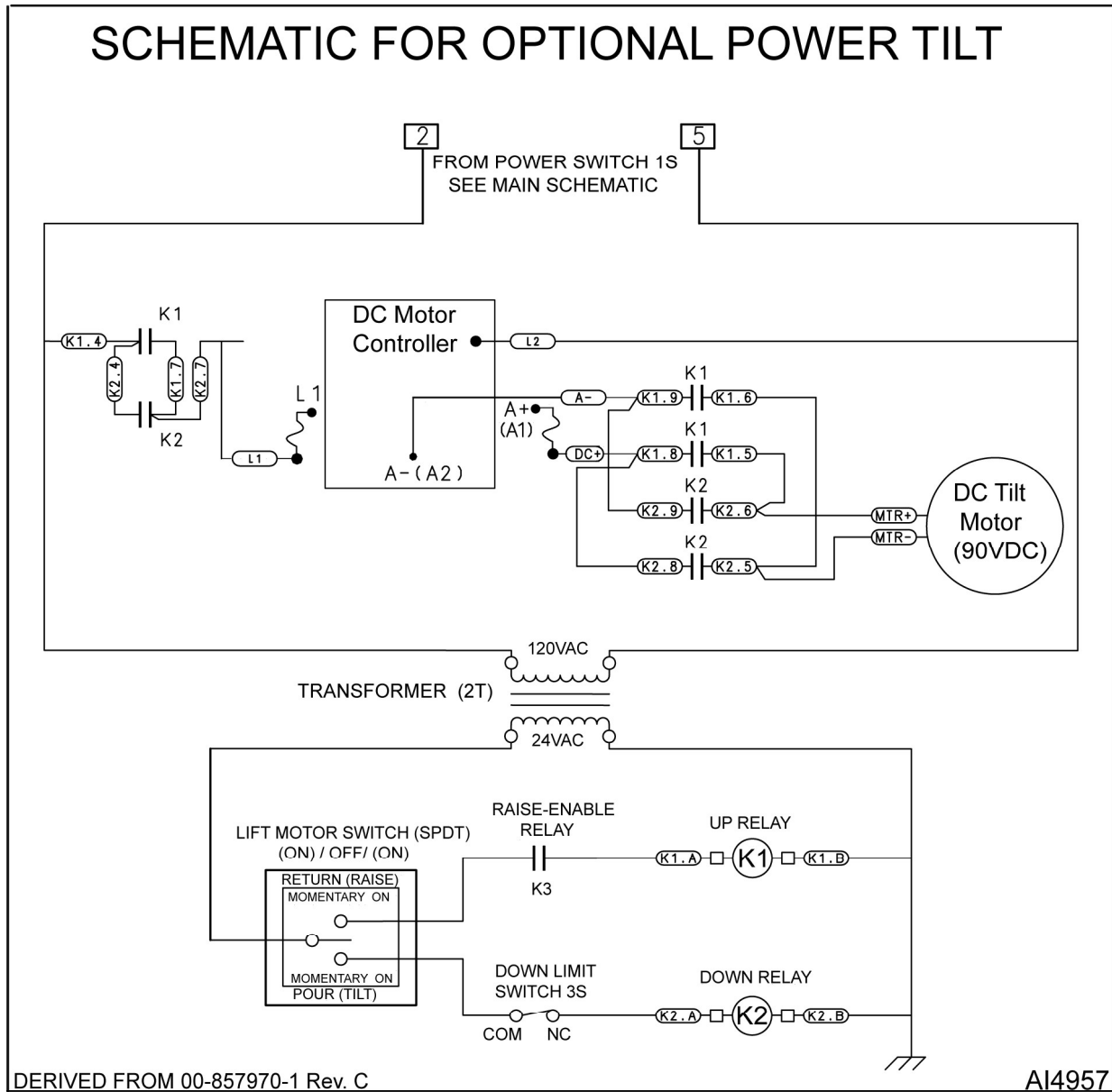
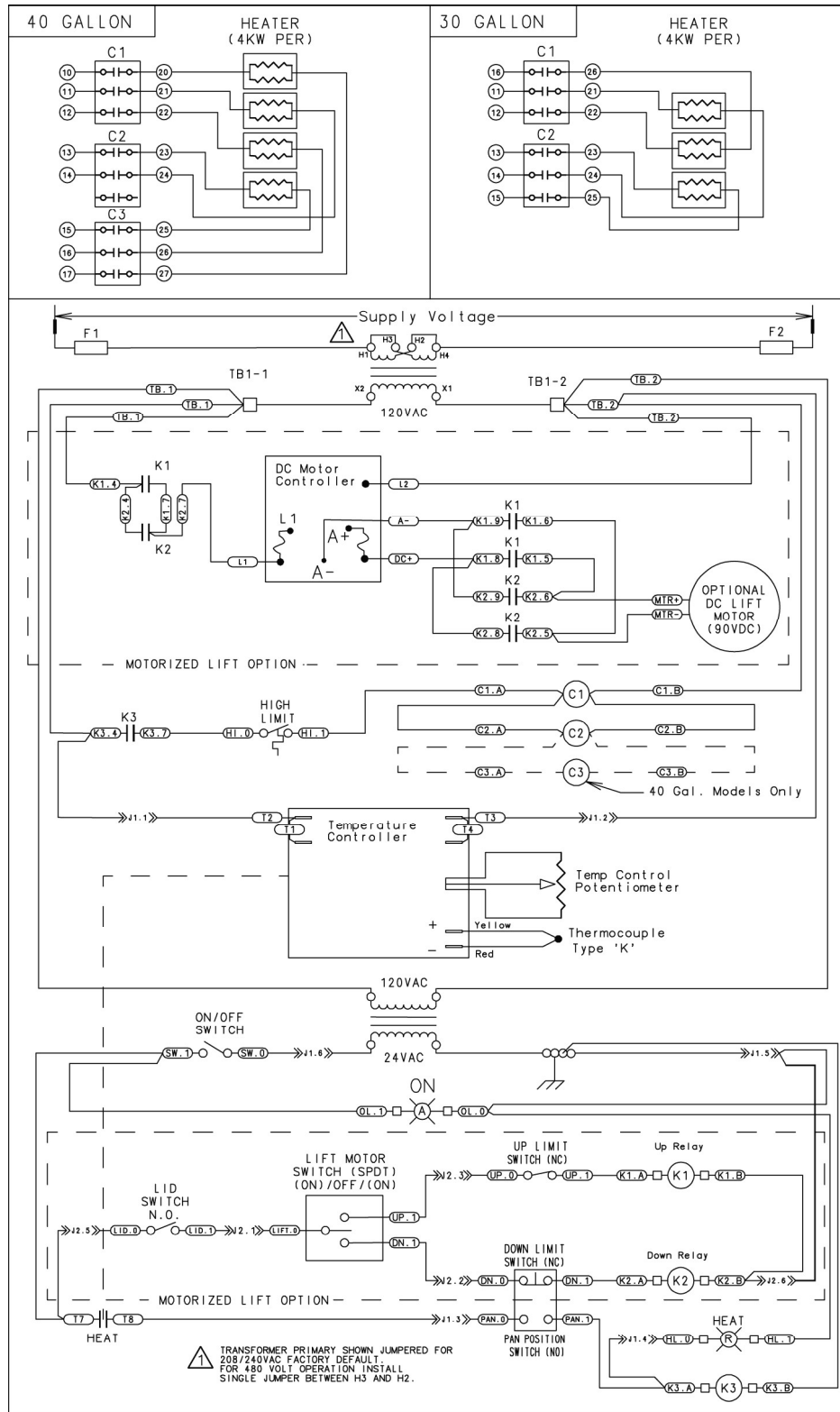


Fig. 81

WIRING DIAGRAMS



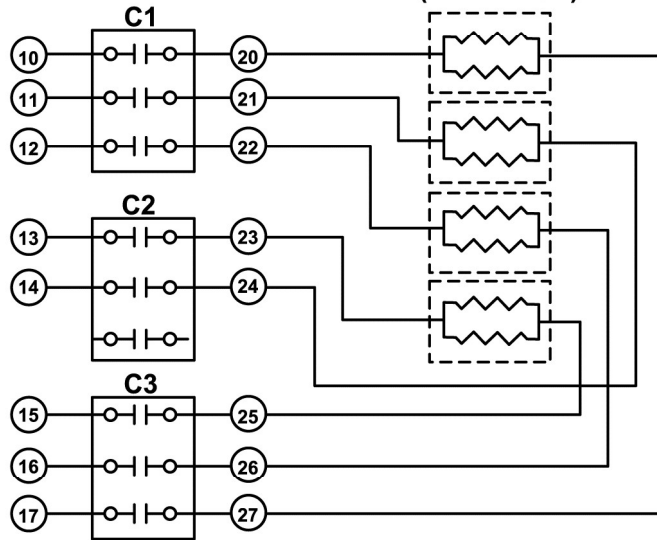
Derived from 00-854709-1 Rev D

AI4991

1ST GENERATION VE

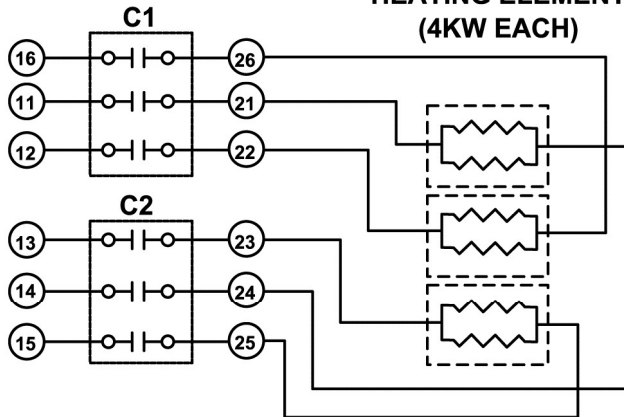
40 GALLON

HEATING ELEMENTS (4KW EACH)



30 GALLON

HEATING ELEMENTS (4KW EACH)



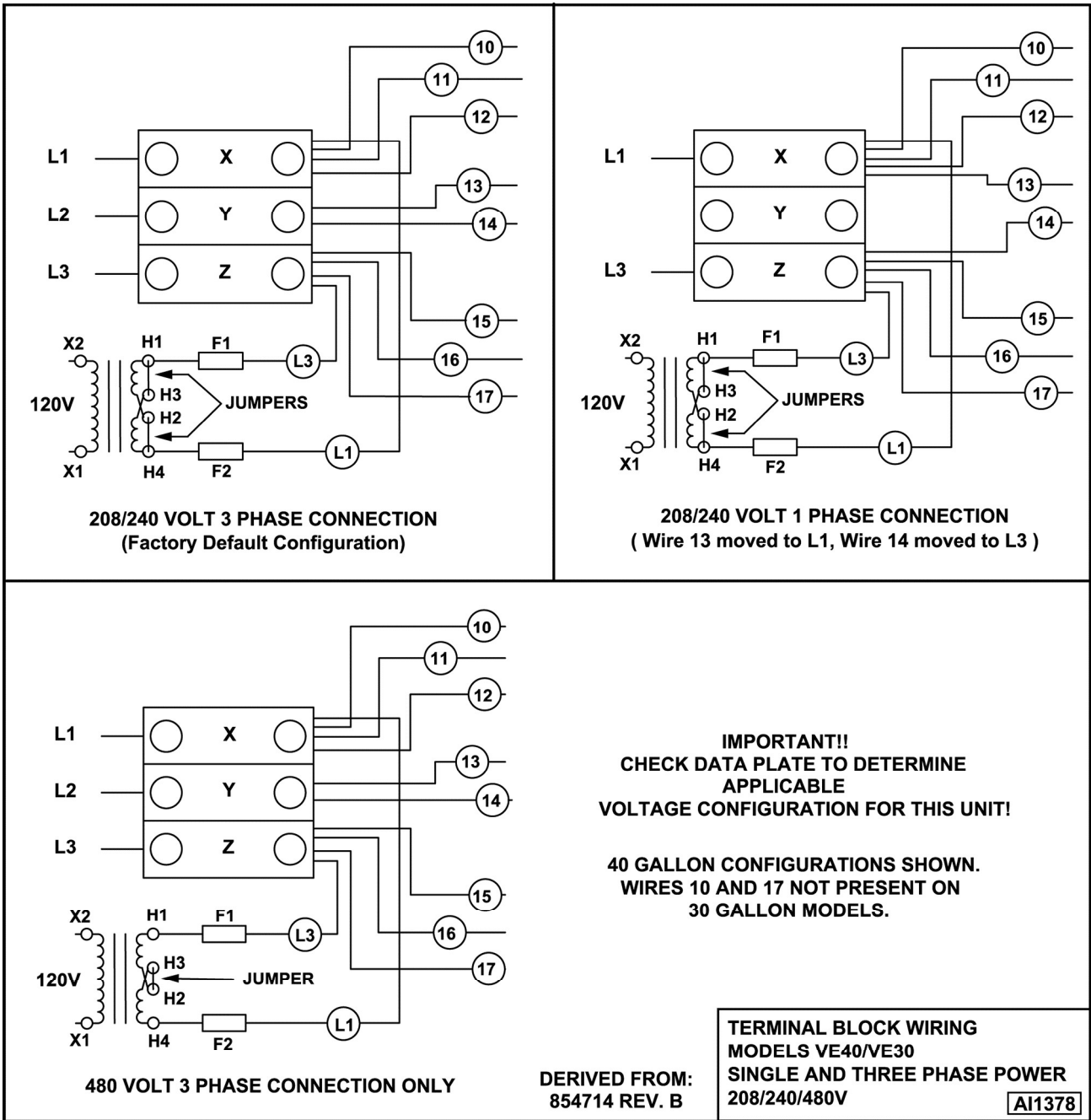
NOTE: See wiring diagram AI1378 for single and three phase power connections at terminal block.

DERIVED FROM: 854709-1 REV B

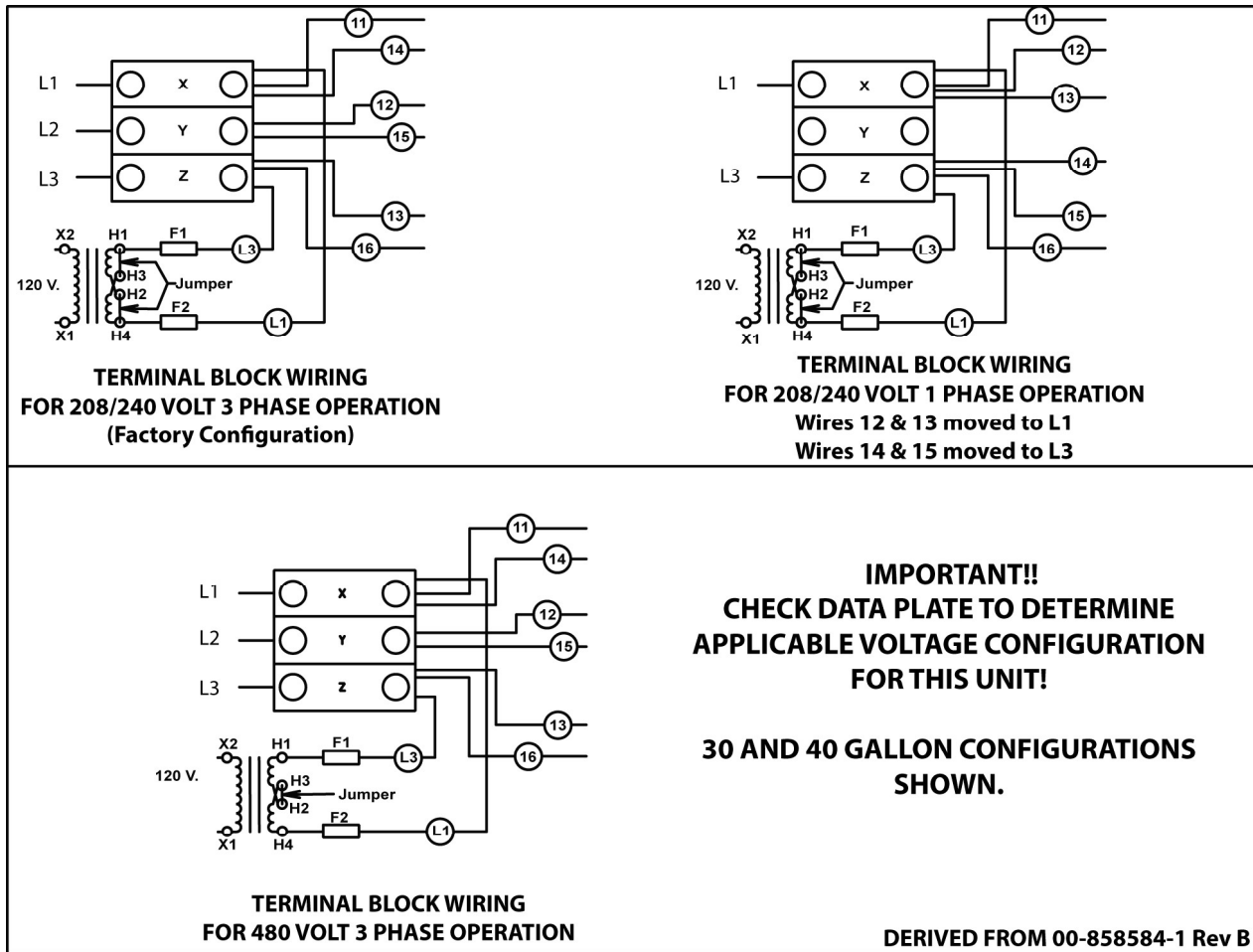
HEATING ELEMENT CIRCUITS
MODELS VE40/VE30
ALL VOLTAGES

AI1377

Heating Element Circuits

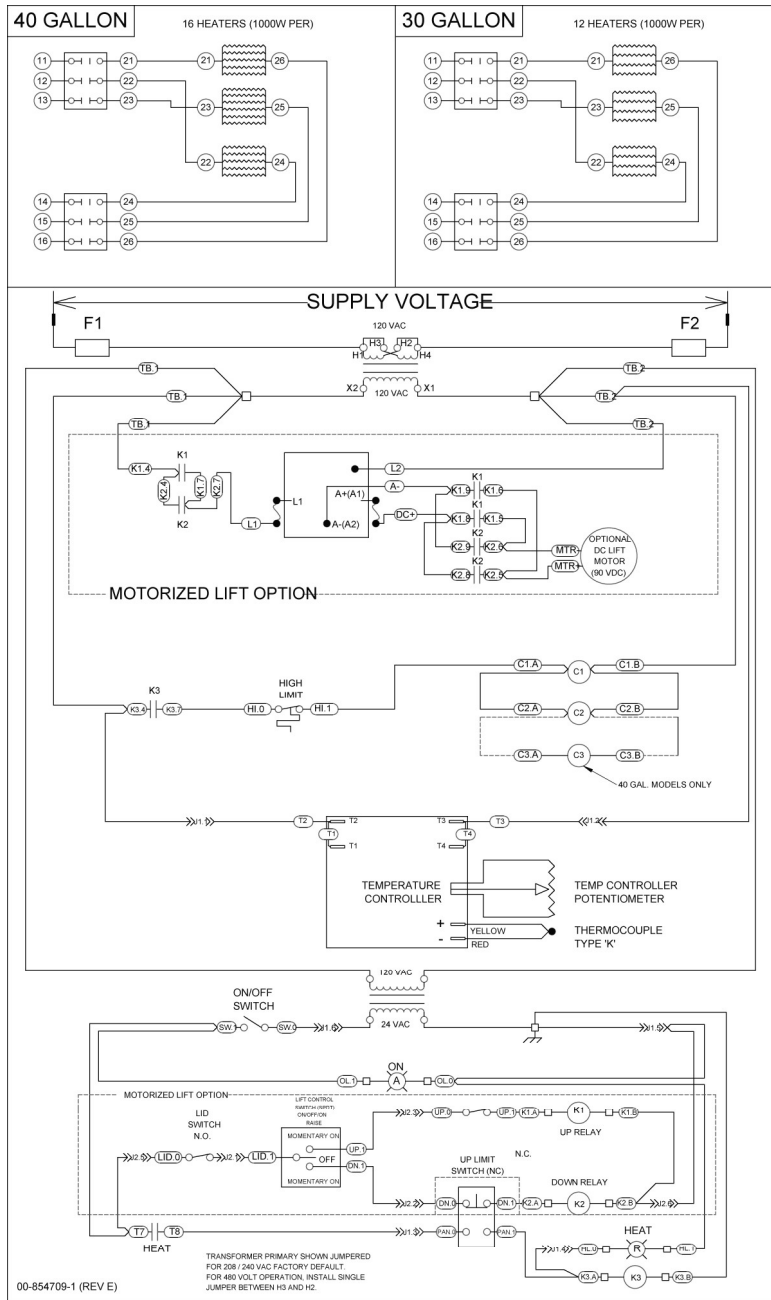


TERMINAL BLOCK 1ST GENERATION



A15106

TERMINAL BLOCK 2ND GENERATION



A15112

Fig. 86