



# CATALOG OF REPLACEMENT PARTS

---

## VCS MULTIFUNCTION COOKER HEAVY DUTY RANGE

VCS18      *ML-137003-00018*  
VCS36      *ML-137003-00036*  
VCS36D    *ML-137003-0036D*



TECHNICAL SERVICE AND PARTS ASSISTANCE 1-800-814-2028

*Vulcan is a division of ITW Food Equipment Group | 3600 North Point Blvd., Baltimore, MD 21222*

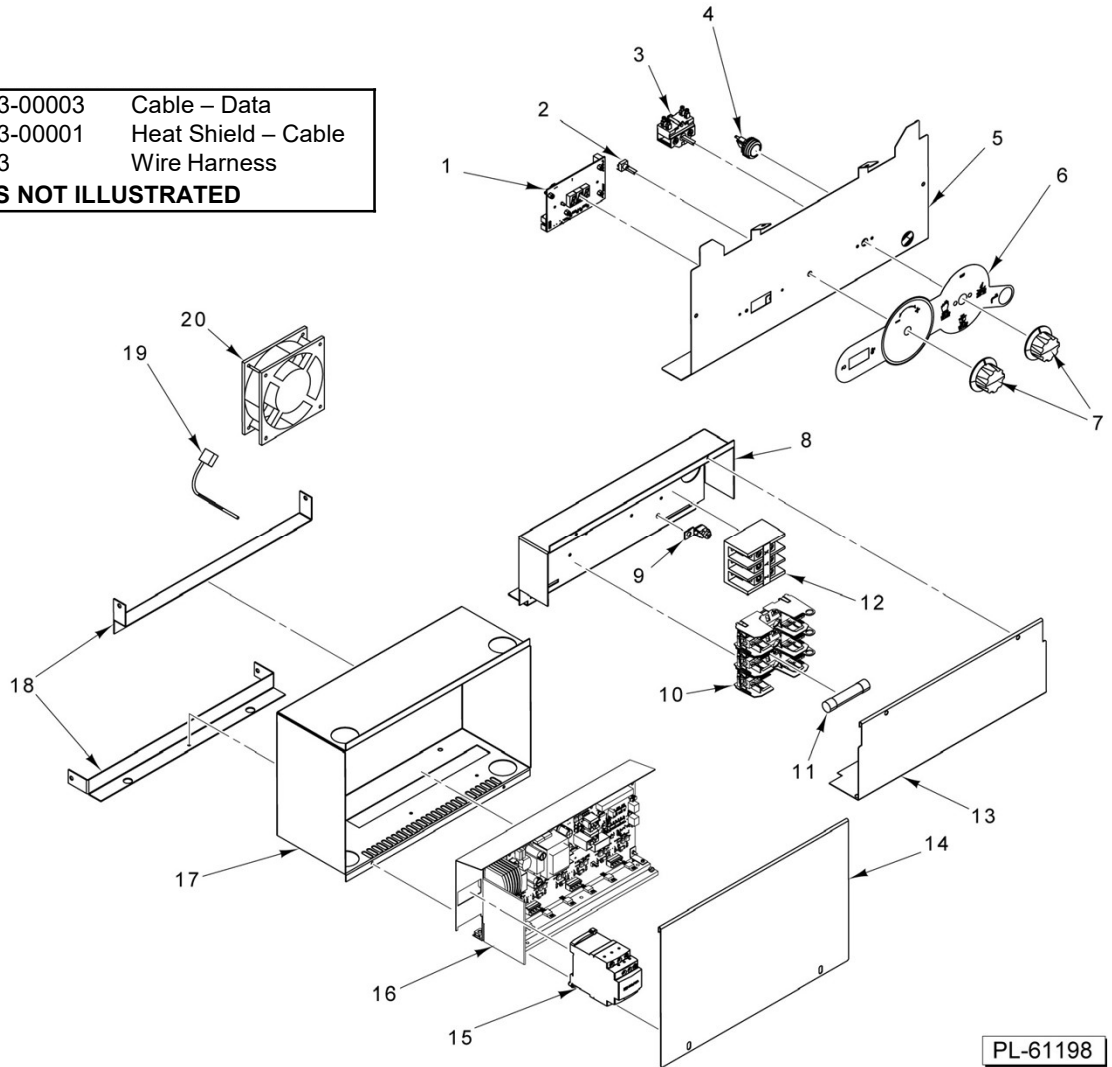
F-43360 (06-23)



**Table of Contents**

5	ELECTRICAL COMPONENTS
7	TANK ASSEMBLY (VCS18/VCS36D)
9	TANK ASSEMBLY (VCS36)
11	PANELS (VCS18)
13	PANELS (VCS36)
15	PANELS (VCS36D)

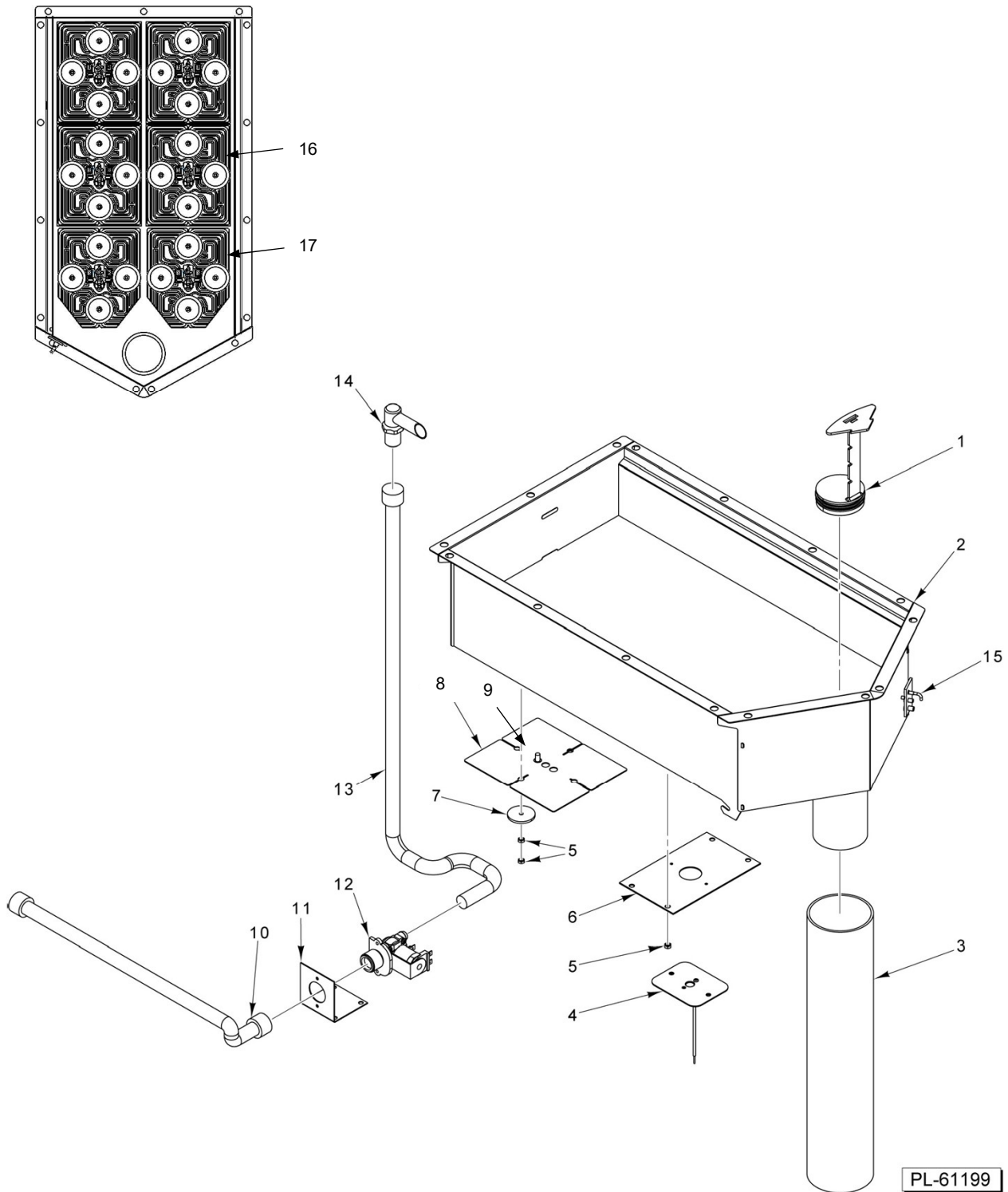
21	00-960373-00003	Cable – Data
22	00-960473-00001	Heat Shield – Cable
23	00-962683	Wire Harness
<b>PARTS NOT ILLUSTRATED</b>		



**ELECTRICAL COMPONENTS**

**ELECTRICAL COMPONENTS**

ILLUS.	PART NO.	NAME OF PART	AMT.
PL-61198			
1	00-960452-000G1	Board - Fascia.....	1
2	00-960458-00001	Potentiometer - Temperature Selector.....	1
3	00-960457-00001	Switch - Selector.....	1
4	00-960731	Button - Switch.....	1
5	00-960409-000G1	Cover - Manifold Assy.....	1
6	00-960383-00001	Overlay - Control.....	1
7	00-960329-00001	Knob.....	2
8	00-960399-00001	Enclosure - Terminal Block.....	1
9	00-417856-00001	Lug - Grounding (With Set Screw).....	1
10	00-960454-00001	Block - Fuse.....	1
11	00-960455-00001	Fuse (40 Amp.).....	3
12	00-410472-00008	Block - Terminal (3-Pole).....	1
13	00-960404-00001	Cover - Terminal Block.....	1
14	00-960402-00001	Cover - Control.....	1
15	00-960408-00001	Contactors.....	1
16	00-960451-000G1	Board - Relay .....	1
17	00-960401-00001	Enclosure - Control.....	1
18	00-960412-00001	Support - Control.....	2
19	00-960836	Cord - Fan.....	1
20	00-960832	Fan (240 V.).....	1
21	00-960373-00003	Cable - Data.....	1
22	00-960473-00001	Heat Shield - Cable.....	1
23	00-962683	Wire Harness.....	1

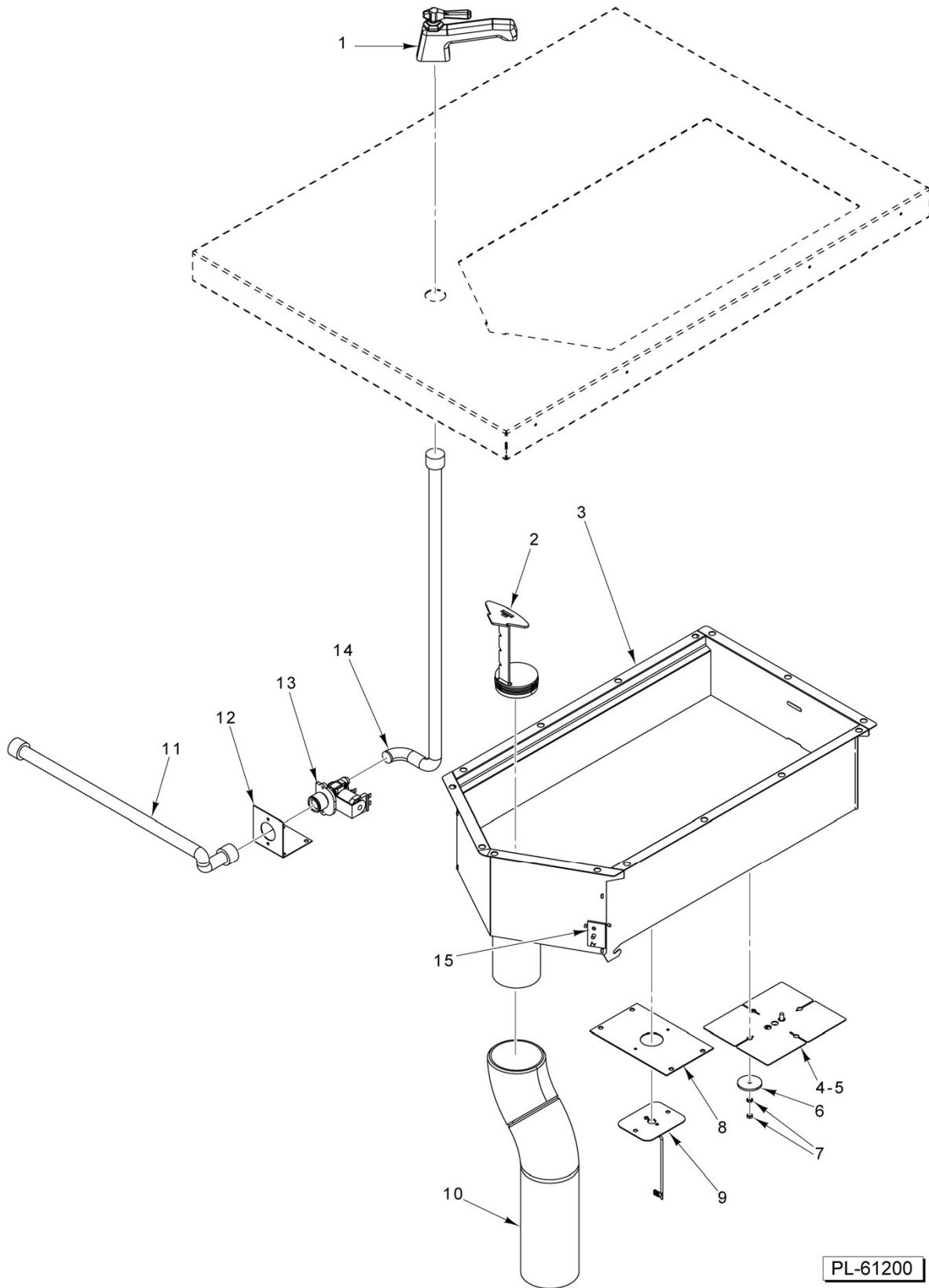


TANK ASSEMBLY (VCS18/VCS36D)

**TANK ASSEMBLY (VCS18/VCS36D)**

ILLUS.	PART NO.	NAME OF PART	AMT.
PL-61199			
1	00-960417-000G1*	Plug - Drain.....	1
2	00-960448-000G1	Tank Assy .....	1
3	00-960398-000G3	Drain Pipe.....	1
4	00-958827-000G1	Thermostat (High Limit) (With Mounting Plate).....	1
5		Nut M5 x 1.....	AR
6	00-960377-00001	Bracket - Thermostat.....	1
7	00-960466-00001	Washer.....	AR
8		Graphite Pad .....	6
9	00-960465-00001	Probe - Temp.....	6
10	00-960463-00002	Hose.....	1
11	00-960407-00001	Mount - Solenoid.....	1
12	00-960453-00001	Solenoid.....	1
13	00-960463-00001	Hose.....	1
14	00-960456-00001	Spigot.....	1
15	00-960465-00002	Probe - In-Tank .....	1
16	00-960450-00001	Element - Main.....	4
17	00-960450-00002	Element - Front.....	2

\*MUST ALSO ORDER 00-960343-00001 O-RINGS, QTY 2 (NOT SHOWN)



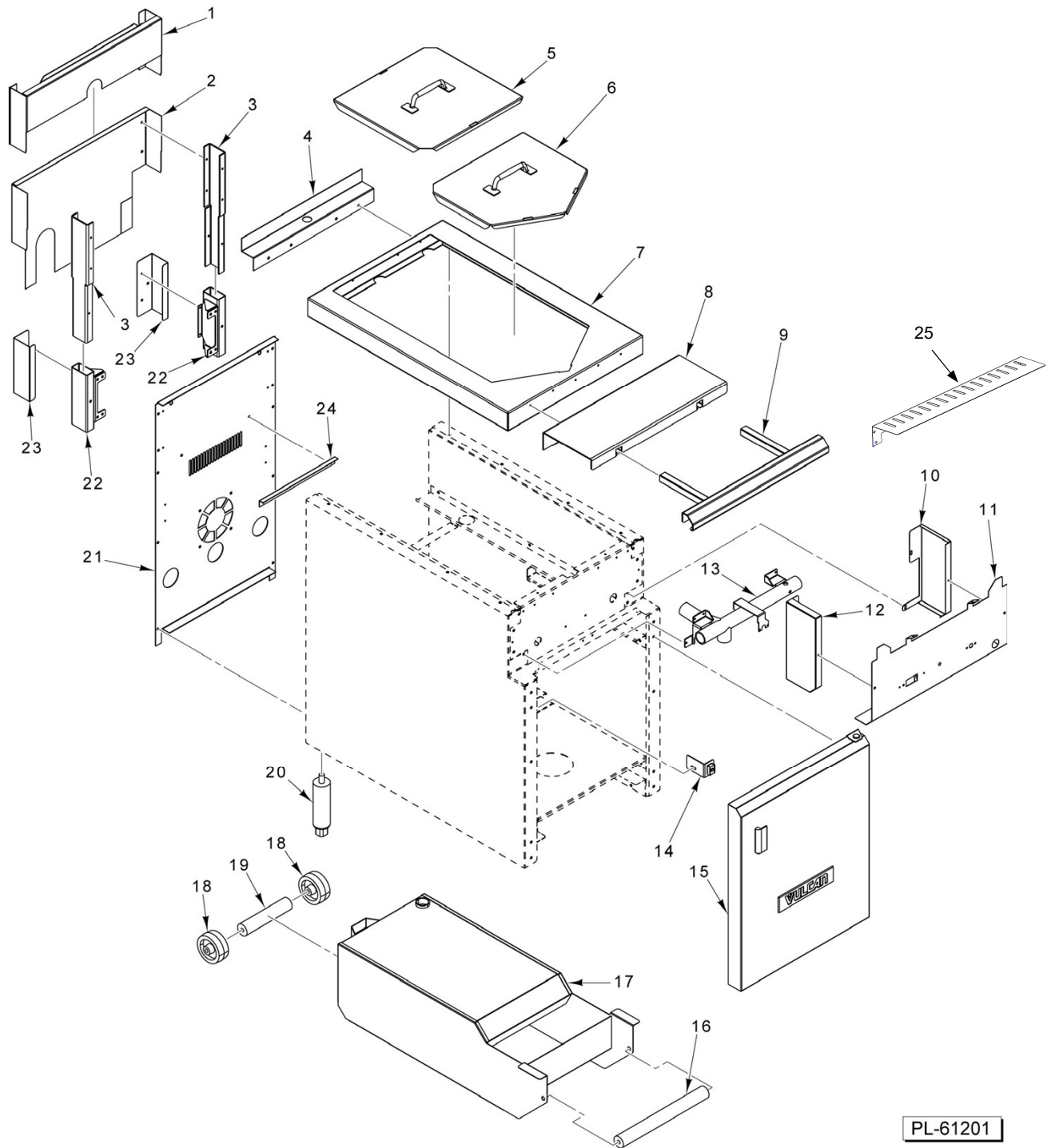
**TANK ASSEMBLY (VCS36)**

**TANK ASSEMBLY (VCS36)**

ILLUS. PL-61200	PART NO.	NAME OF PART	AMT.
1	00-960456-00002	Spigot.....	1
2	00-960417-000G1**	Plug - Drain.....	1
3	00-960448-000G1	Tank Assy .....	1
4		Graphite Pad .....	.6
5	00-960465-00001	Probe - Temp.....	.6
6	00-960466-00001	Washer.....	.AR
7		Nut M5 x 1.....	.AR
8	00-960377-00001	Bracket - Thermostat.....	1
9	00-958827-000G1	Thermostat (High Limit) (With Mounting Plate).....	1
10	00-960398-000G2	Pipe - Drain.....	1
11	00-960463-00002	Hose.....	1
12	00-960407-00001	Mount - Solenoid.....	1
13	00-960453-00001	Solenoid.....	1
14	00-960463-00001	Hose.....	1
15	00-960465-00002	Probe - In-Tank .....	1
16*	00-960450-00001	Element - Main.....	4
17*	00-960450-00002	Element - Front.....	2

\*SEE VCS18/VCS36D FOR LOCATION

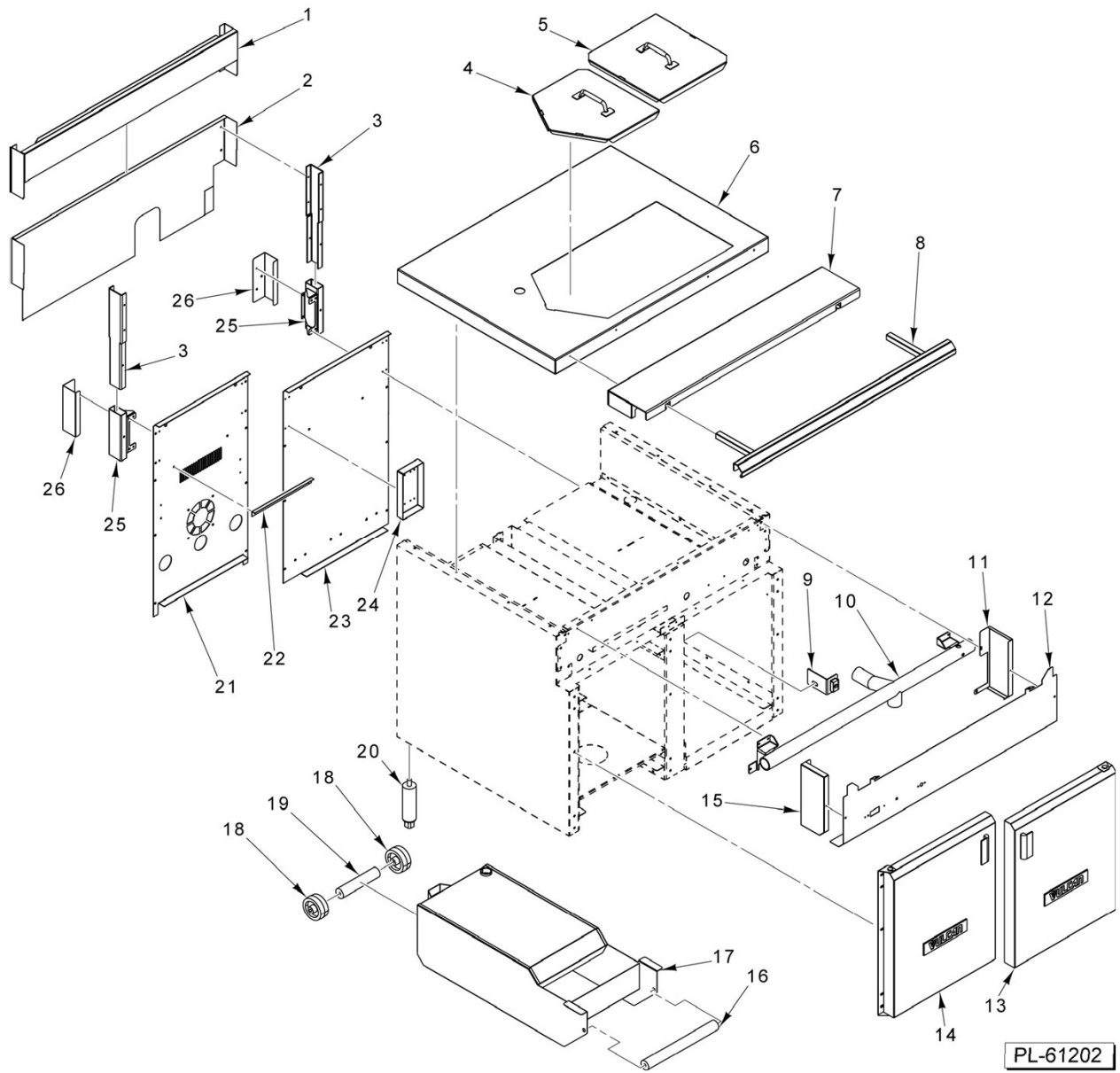
\*\*MUST ALSO ORDER 00-960343-00001 O-RINGS, QTY 2 (NOT SHOWN)



**PANELS (VCS18)**

**PANELS (VCS18)**

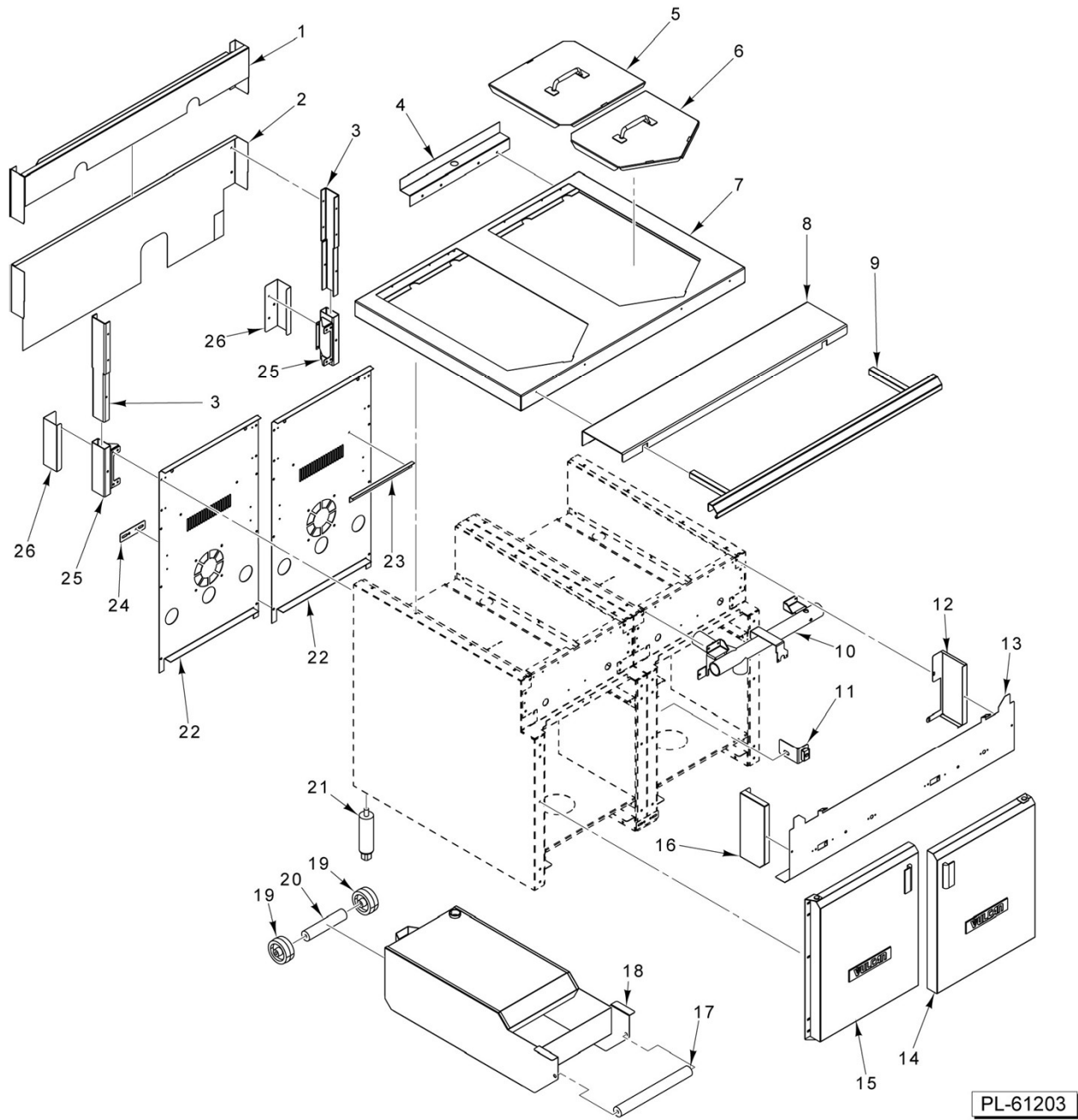
ILLUS. PL-61201	PART NO.	NAME OF PART	AMT.
1	00-960411-00001	Backsplash.....	1
2	00-957163-00001	Shield - Heat.....	1
3	00-497998-00001	Channel.....	2
4	00-960405-00001	Mount - Faucet.....	1
5	00-960381-000G2	Cover Assy. (Rear).....	1
6	00-960381-000G1	Cover Assy. (Front).....	1
7	00-960394-000G1	Frame Assy. - Tank.....	1
8	00-958637-000G3	Cover - Front.....	1
9	00-958638-000G1	Rail Assy.....	1
10	00-960339-00001	Bracket.....	1
11	00-960409-000G1	Cover - Manifold Assy.....	1
12	00-960339-00002	Bracket.....	1
13	00-960467-00G18	Manifold (18 In.) (Optional).....	1
14	00-960415-000G1	Magnet Plate Assy.....	1
15	00-960460-000G1	Door (18 In.) (RH).....	1
16	00-960379-00001	Handle.....	1
17	00-960386-000G1	Drain Caddy (Optional).....	1
18	00-960378-00001	Wheel.....	2
19	00-960379-00002	Handle.....	1
20	00-413112-00007	Leg - Screw-in Mount (6-1/4 In.) (SST).....	4
21	00-960392-00001	Panel - Rear.....	1
22	00-497987-000G1	Bracket.....	2
23	00-499037-00001	Trim - Rear.....	2
24	00-960396-00001	Support - Rear.....	1
25	00-960345-00001	Drip Shield.....	1



**PANELS (VCS36)**

**PANELS (VCS36)**

ILLUS. PL-61202	PART NO.	NAME OF PART	AMT.
1	00-497997-00006	Backsplash.....	1
2	00-497996-00001	Shield - Heat.....	1
3	00-497998-00001	Channel.....	2
4	00-960381-000G1	Cover Assy.....	1
5	00-960381-000G2	Cover Assy.....	1
6	00-960394-000G2	Frame Tank Assy.....	1
7	00-957236-000G3	Cover - Front.....	1
8	00-957239-000G1	Front Top Slide Rail Assy.....	1
9	00-960415-000G1	Magnet Plate Assy.....	2
10	00-960467-00G36	Manifold (36 In.) (Optional).....	1
11	00-960339-00001	Bracket.....	1
12	00-960409-000G2	Manifold Cover Assy.....	1
13	00-960460-000G1	Door (18 In.) (RH).....	1
14	00-960460-000G2	Door (18 In.) (LH).....	1
15	00-960339-00002	Bracket.....	1
16	00-960379-00001	Handle.....	1
17	00-960386-000G1	Drain Caddy (Optional).....	1
18	00-960378-00001	Wheel.....	2
19	00-960379-00002	Handle.....	1
20	00-413112-00007	Leg - Screw-in Mount (6-1/4 In.) (SST).....	6
21	00-960392-00001	Panel - Rear.....	1
22	00-960396-00001	Support - Rear.....	1
23	00-960392-00002	Panel - Rear.....	1
24	00-960396-00002	Support - Rear.....	2
25	00-497987-000G1	Bracket.....	2
26	00-499037-00001	Trim - Rear.....	2



PANELS (VCS36D)

**PANELS (VCS36D)**

ILLUS. PL-61203	PART NO.	NAME OF PART	AMT.
1	00-960411-00002	Backsplash.....	1
2	00-497996-00001	Shield - Heat.....	1
3	00-497998-00001	Channel.....	2
4	00-960405-00001	Mount - Faucet.....	1
5	00-960381-000G2	Cover Assy.....	2
6	00-960381-000G1	Cover Assy.....	2
7	00-960394-000G3	Tank Frame Assy.....	1
8	00-957236-000G3	Cover - Front.....	1
9	00-957239-000G1	Front Top Slide Rail Assy.....	1
10	00-960467-00G18	Manifold (18 In.) (Optional).....	2
11	00-960415-000G1	Magnet Plate Assy.....	2
12	00-960339-00001	Bracket.....	1
13	00-960409-000G3	Manifold Cover Assy.....	1
14	00-960460-000G1	Door (18 In.) (RH).....	1
15	00-960460-000G2	Door (18 In.) (LH).....	1
16	00-960339-00002	Bracket.....	1
17	00-960379-00001	Handle.....	2
18	00-960386-000G1	Drain Caddy (Optional).....	2
19	00-960378-00001	Wheel.....	4
20	00-960379-00002	Handle.....	2
21	00-413112-00007	Leg - Screw-in Mount (6-1/4 In.) (SST).....	8
22	00-960392-00001	Panel - Rear.....	2
23	00-960396-00001	Support - Rear.....	2
24	00-960416-00001	Plate - Splice.....	1
25	00-497987-000G1	Bracket.....	2
26	00-499037-00001	Trim - Rear.....	2

